

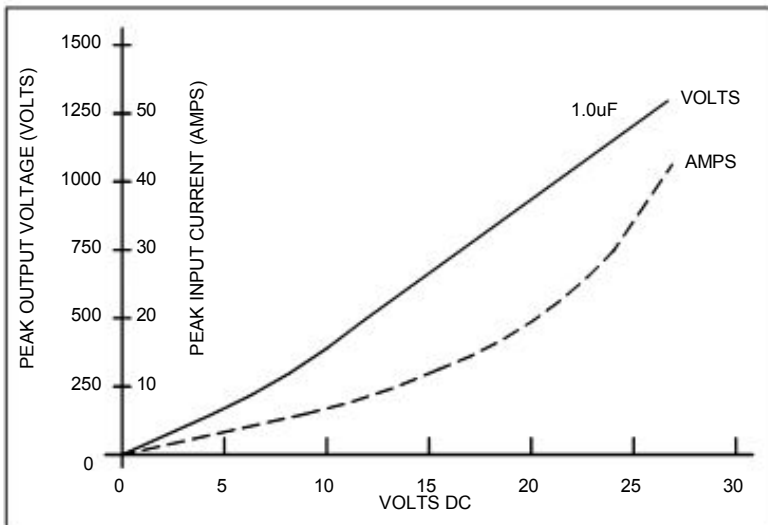
DIMENSIONS ARE IN INCHES
(MILLIMETERS)

WEIGHT = 0.02 LB

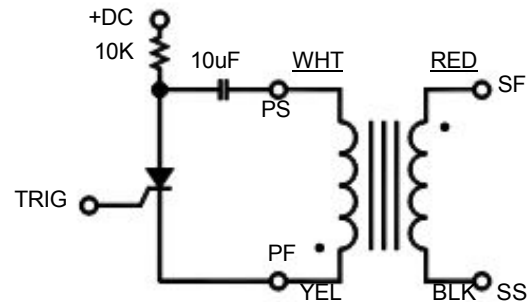
SPECIFICATIONS

Maximum DC input	30 Volts
Primary peak current	46 Amps
Turns ratio (secondary to primary)	40:1
Hold-off voltage (secondary to primary)	2.0KV DC

Output voltage	1.4 KV
Rise time 10%-90%	0.8 uSec
Pulse width 50% amplitude	3.8 uSec



INPUT VS. OUTPUT



TYPICAL CIRCUIT

For more information email us at generalinquiries@excelitas.com or visit our website at [excelitas.com](http://www.excelitas.com)

All values are nominal; specification subject to change without notice.

Worldwide Headquarters
Excelitas Technologies
44370 Christy Street
Fremont, CA 94538
Telephone: +1 510-979-6500
Toll Free (North America): +1 800-775-OPTO (6786)
Fax: +510-687-1140
generalinquiries@Excelitas.com

Europe Headquarters
Excelitas Technologies
Wenzel-Jaksch-Str. 31
D-65199 Wiesbaden, Germany
Telephone: +49 611 492 430
Fax: +49 611 492 165

Asia Headquarters
Excelitas Technologies
47 Ayer Rajah Crescent #
Singapore 139947
Telephone: +65 6770 202
Fax: +65 6775 1008

EXCELITAS
TECHNOLOGIES