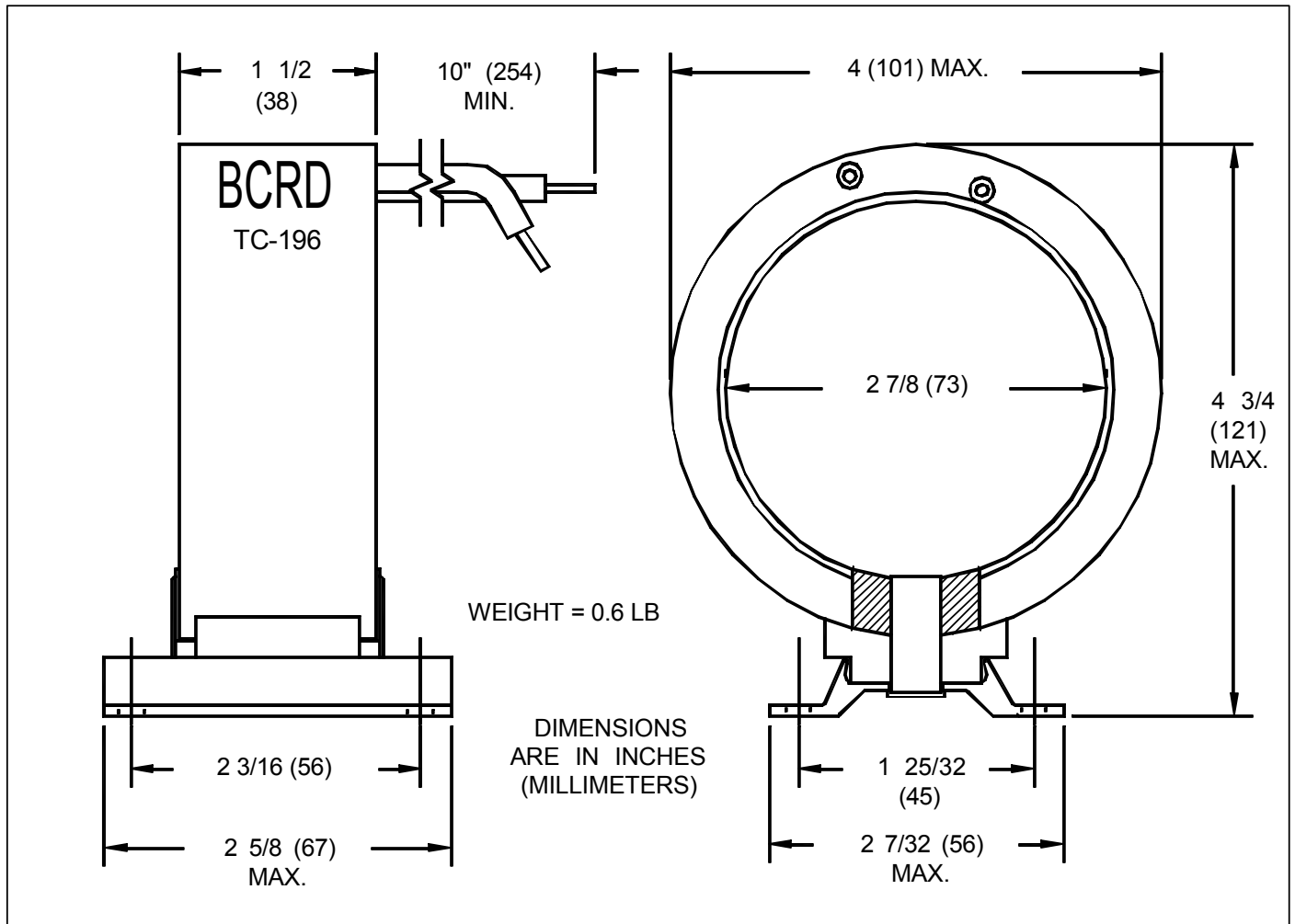


## TC-196 CHOKE



**OUTLINE & MOUNTING DIMENSIONS**

### SPECIFICATIONS

Inductance	22 uH
DC Resistance	0.05 ohms
Voltage	5 KV

Maximum Peak Current	2000 Amps
Maximum RMS Current	8 Amps

For more information email us at [generalinquiries@excelitas.com](mailto:generalinquiries@excelitas.com) or visit our website at [www.excelitas.com](http://www.excelitas.com)  
All values are nominal; specification subject to change without notice.

Worldwide Headquarters  
Excelitas Technologies44370  
Christy Street  
Fremont, CA 94538  
Telephone: +1 510-979-6500  
Toll Free (North America): +1 800-775-OPTO (6786)  
Fax: +510-687-1140  
[generalinquiries@excelitas.com](mailto:generalinquiries@excelitas.com)

Europe Headquarters  
Excelitas Technologies  
Wenzel-Jaksch-Str. 31  
D-65199 Wiesbaden, Germany  
Telephone: +49 611 492 430  
Fax: +49 611 492 165

Asia Headquarters  
Excelitas Technologies  
47 Ayer Rajah Crescent #06-12  
Singapore 139947  
Telephone: +65 6770 2022  
Fax: +65 6775 1008

**EXCELITAS**  
TECHNOLOGIES