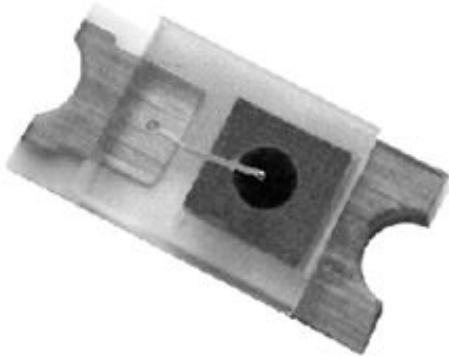


CERLED[®]

SMD Chip LED

High Power Output
SR 10 HR-B Hyper Red -H*

*RoHS-Compliant



Description

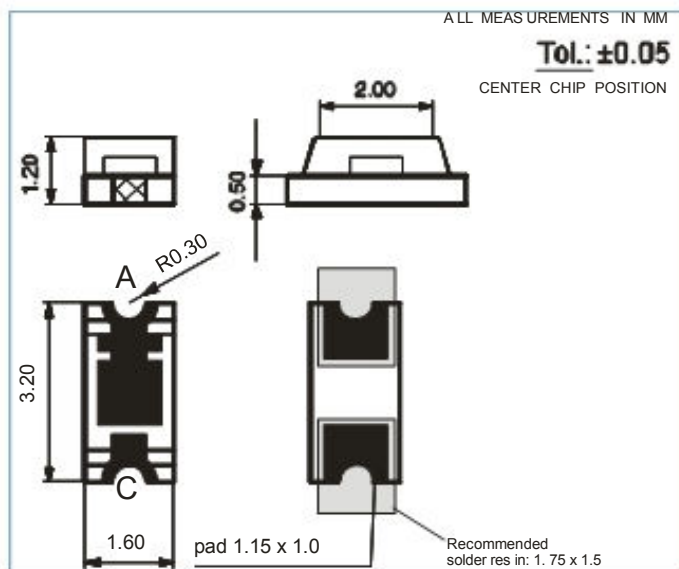
The solder pads provide an excellent heat sink. Ideal for sensor applications.

Small true Chip - LED to build custom configurations.

Available on special order in 8 mm blister tape.

Features and Benefits

- ▶ Chip on PCB, surface mounting device
- ▶ Center chip position, also available ± 0.1 mm (SR10HR-B)
- ▶ End - to - end and side - to - side stackable down to a pitch of 1.6 mm



Maximum Ratings at 25° C

Power dissipation	P _{tot}	70 mW
Peak forward current	I _{FSM} (10 μs)	400 mA
Continuous forward current	I _F	30 mA
Junction temperature	T _J	120° C
Storage temperature	T _{st}	-25° C to 120° C
Operating temperature	T _{op}	-25° C to 80° C
Soldering temperature	T _{sold} (10 s)	245° C

Adequate heat sink is required. Derating must be observed to maintain junction temperature below maximum. Please note our recommended solder profile at www.excelitas.com.

Optical and Electronic Characteristics at 25° C

I_F = 20 mA, ambient temperature = 25° C

	min	typ	max	unit
Luminous intensity	12.0	25.0		mcd
Peak emission wavelength		655		nm
Spectral half bandwidth		20		nm
Forward voltage		1.8	2.1	V
Reverse leakage			100	μA
Reverse voltage	5			V

Note: according IEC 60825-1 (EN60825):

LED Radiation

Do not view directly with optical instruments.

Orientation of taped parts: anode to perforation

Excelitas Technologies
European Customer
Support for LED Solutions
 Luitpoldstrasse 6
 85276 Pfaffenhofen, Germany
 Telephone: (+49)8441-8917-0
 Fax: (+49)8441-71910
generalinquiries@excelitas.com

European Headquarters
 Wenzel-Jaksch-Strasse 31
 65199 Wiesbaden, Germany
 Telephone: (+49)611-492-269
 Fax: (+49)611-492-170

North America
Customer Support Hub
 22001 Dumberry Road
 Vaudreuil-Dorion, Québec
 Canada J7V 8P7
 Telephone: (+1) 450-424-3300
 (+1) 866-574-6786 (toll-free)
 Fax: (+1) 450-424-3345

Asia Customer Service Hub
 47 Ayer Rajah Crescent #06-12
 Singapore 139947
 Telephone: (+65)6775-2022
 (+65)67704-366
 Fax: (+65)6775-1008



For a complete listing of our global offices, visit www.excelitas.com

©2011 Excelitas Technologies Corp. All rights reserved. The Excelitas logo and design are registered trademarks of Excelitas Technologies Corp. CERLED® is a trademark of Excelitas Technologies Corp. or its subsidiaries, in the United States and other countries. All other trademarks not owned by Excelitas Technologies or its subsidiaries that are depicted herein are the property of their respective owners. Excelitas reserves the right to change this document at any time without notice and disclaims liability for editorial, pictorial or typographical errors.
 600089_02 DTS0407