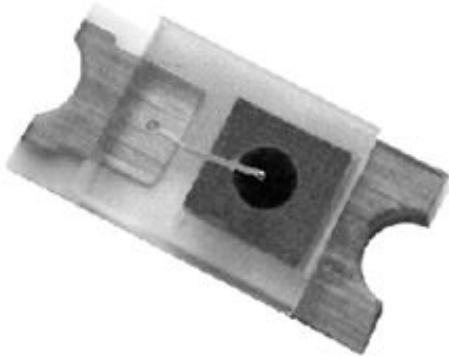


CERLED[®]

SMD Chip Detector

SMD Flat Top Photodiode
SR 10 BP-B -H*

*RoHS-Compliant



Description

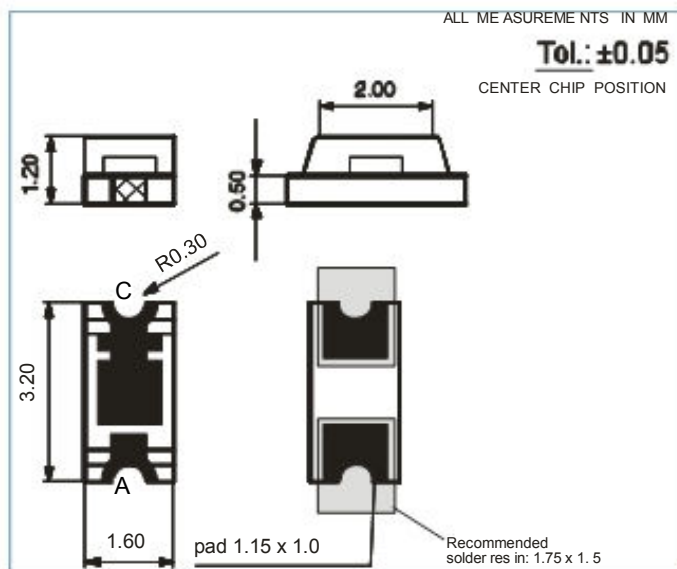
The solder pads provide an excellent heat sink. On special request also available with daylight filter (SR10BP-B-DLF).

Ideal for sensor applications.

Available on special order in 8 mm blister tape.

Features and Benefits

- ▶ Chip on PCB, surface mounting device
- ▶ Center chip position, also available ± 0.1 mm (SR10BP)
- ▶ End - to - end and side - to - side stackable down to a pitch of 1.6 mm



Maximum Ratings at 25° C

Storage temperature	T _{st}	-25° C to 120° C
Operating temperature	T _{op}	-25° C to 80° C
Soldering temperature	T _{sold} (5 s)	240° C

Characteristics at 25° C

	Symbol	Min.	Typ.	Max.	Unit	Conditions
Reverse breakdown voltage	V _{(BR)R}	33	170		V	I _R = 100 μA, E _E = 0 mW/cm ²
Open circuit voltage	V _O		440		mV	E _E = 5 mW/cm
Short circuit current	I _{sc}		7		μA	E _E = 5 mW/cm
Reverse dark current	I _R			10	nA	V _R = 10 V, E _E = 0 mW/cm ²
Turn on / turn off time	t _r / t _f		10		ns	V _R = 10 V / 100 Ω
Peak sensitive wavelength	λ _{max}		900		nm	
Junction capacitance	C _j		10		pF	V _R = 5 V, E _E = 0 mW/cm ² f = 1 MHz
Radiant sensitive area	A		0.65		mm ²	

Orientation of taped parts: anode to perforation

Excelitas Elcos GmbH
European Customer
Support for LED Solutions
 Luitpoldstrasse 6
 85276 Pfaffenhofen, Germany
 Telephone: (+49)8441-8917-0
 Fax: (+49)8441-71910
generalinquiries@excelitas.com

European Headquarters
 Wenzel-Jaksch-Strasse 31
 65199 Wiesbaden, Germany
 Telephone: (+49)611-492-269
 Fax: (+49)611-492-170

North America
Customer Support Hub
 22001 Dumberry Road
 Vaudreuil-Dorion, Québec
 Canada J7V 8P7
 Telephone: (+1) 450-424-3300
 (+1) 866-574-6786 (toll-free)
 Fax: (+1) 450-424-3345

Asia Customer Service Hub
 47 Ayer Rajah Crescent #06-12
 Singapore 139947
 Telephone: (+65)6775-2022
 (+65)67704-366
 Fax: (+65)6775-1008

EXCELITAS
 TECHNOLOGIES

For a complete listing of our global offices, visit www.excelitas.com

©2011 Excelitas Technologies Corp. All rights reserved. The Excelitas logo and design are registered trademarks of Excelitas Technologies Corp. CERLED® is a trademark of Excelitas Technologies Corp. or its subsidiaries, in the United States and other countries. All other trademarks not owned by Excelitas Technologies or its subsidiaries that are depicted herein are the property of their respective owners. Excelitas reserves the right to change this document at any time without notice and disclaims liability for editorial, pictorial or typographical errors.
 600085_02 DTS0407