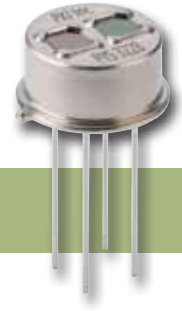


PYRODETECTORS FOR GAS MONITORING AND MEASURING



PYS 3228, PYS 3428 – Dual Channel Pyro

Applications

- Gas sensing and monitoring

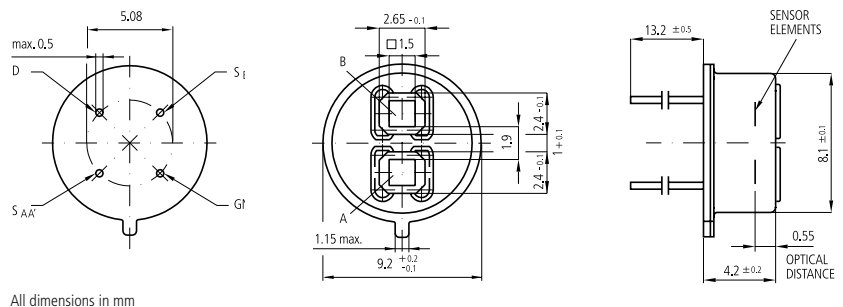
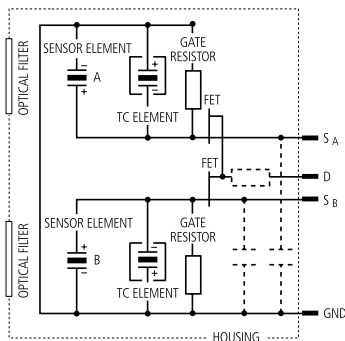
Features and Benefits

- TO-5 metal housing
- Dual channel output
- Each channel with individual filter window
- Selection of narrow band pass filters
- Thermal compensation option
- EMI protection option

Product Description

As successor of the LHi 814 series the PYS 3228 dual channel detectors have become standard for gas sensing applications, with two individual elements of size 1.5 x 1.5 and additional temperature compensation. They are available with a range of narrow band pass filters, as specified on page 7 in combination with a reference filter.

The same features are included with the PYS 3428, which offers additional EMI protection by internal capacitors.



PYS 3228, PYS 3428 – Dual Channel Pyro

Parameter	Symbol	PYS 3228	PYS 3428	Unit	Remark
Responsivity, min.	R_{min}	2.2	3.5	kV/W	$f = 1 \text{ Hz}$
Responsivity, typ.	R	3.5	5.0	kV/W	$f = 1 \text{ Hz}$
Match, max.	M_{max}	-	-	%	
Noise, max.	N_{max}	50	50	μV_{pp}	
Noise, typ.	N_{typ}	15	20	μV_{pp}	0.4...10 Hz / 20°C
Spec. detectivity	D^*			$10^7 \text{ cm}^* \sqrt{\text{Hz/W}}$	0.4...10 Hz / 20°C
Field of view, horizontal	FoV	77	77		
Field of view, vertical	FoV				
Source voltage			0.2 ... 1.5	V	47 k Ω / 20°C / 5 V
EMI performance			***		
Height	h	4.2	4.2	mm	
Optical element location	he / ho	/0.55	/0.55	mm	
Filter size	X / Y	2.65 / 2.4	2.65 / 2.4	mm	