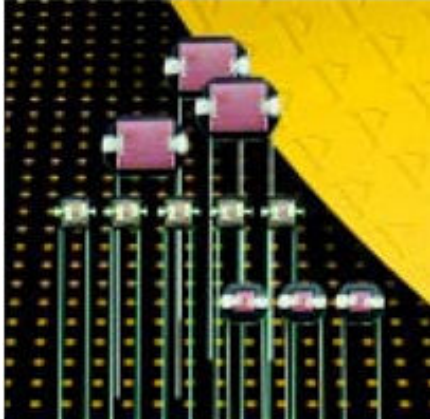


Photocells A 9950, A 7060, B 9060

Epoxy Encapsulated Series

Light Switch Applications
Indoor and Outdoor



Introduction

This range of photocells includes three different size designs with different spectral sensitivity. The smallest in physical size is our A 9950 range with spectral sensitivity at max. 530 nm. Customized selections are available upon request.

Features and Benefits

- Easy-to-use
- Small dimensions
- Epoxy encapsulated package
- Adapted to human eye sensitivity

Applications

- Brightness controls
- Contrast controls
- Street lighting
- Automatic light switches
- Dimmers

Operating Temperature Range: -20..+70 °C (non-continuous)
 Storage Temperature Range: -20..+80 °C (non-continuous)

Type	R ₁₀	R ₁₀₀	R ₀₁	R ₀₅	V _{max}	P _{mqx}	γ _{10/100}	λ _{peak}
Units	KΩ	KΩ typ.	MΩ min	MΩ max	V	mW	typ.	nm
A 9950 09	4...11	2	0.04	0.12	100	90	0.65	530
A 9950 11	9...22	3	0.05	0.15	150	90	0.6	530
A 9950 12	18...44	7	0.15	0.45	150	90	0.65	530
A 9950 13	36...88	12	0.4	1.2	150	90	0.7	530
A 9950 14	20...200	20	1.0	3.0	150	90	0.75	530
A 7060 09	4...11	2	0.04	0.12	100	90	0.65	600
A 7060 11	9...20	3.5	0.06	0.18	150	90	0.65	600
A 7060 12	16...33	5	0.18	0.5	150	90	0.7	600
A 7060 13	27...94	8	0.5	1.05	150	90	0.8	600
A 7060 14	77...340	15	1.5	5.0	150	90	0.9	600
B 9060 32	5...13	2	0.1	0.3	300	200	0.7	600
B 9060 33	11...40	5	0.2	0.6	300	200	0.8	600

Light Resistance Characteristics

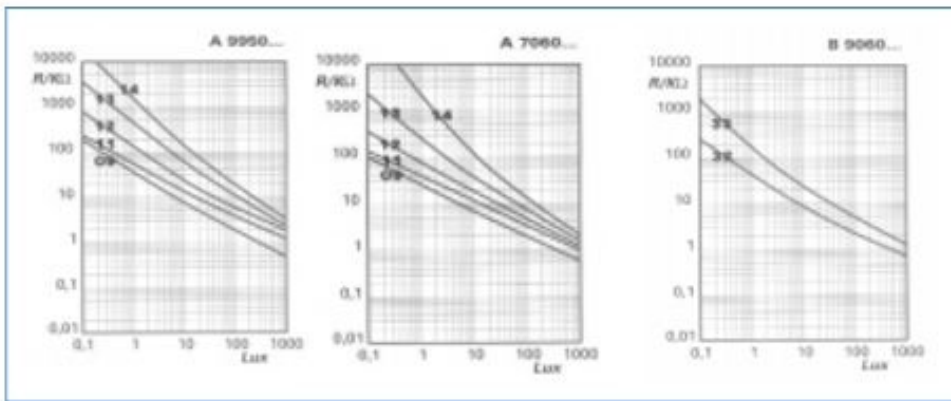


Figure 1
 A9950.
 A7060.
 B9060.
 Typical Light Resistance Characteristics

Mechanical Dimensions

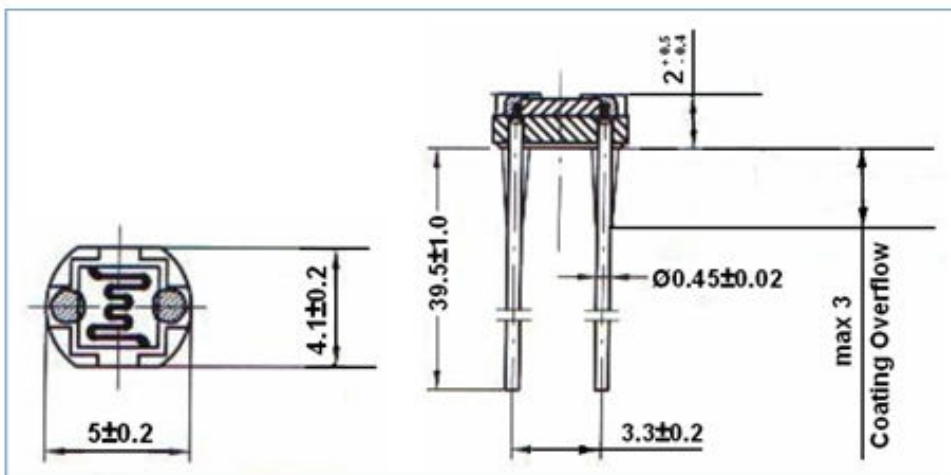


Figure 2
 A99...
 All dimensions in mm

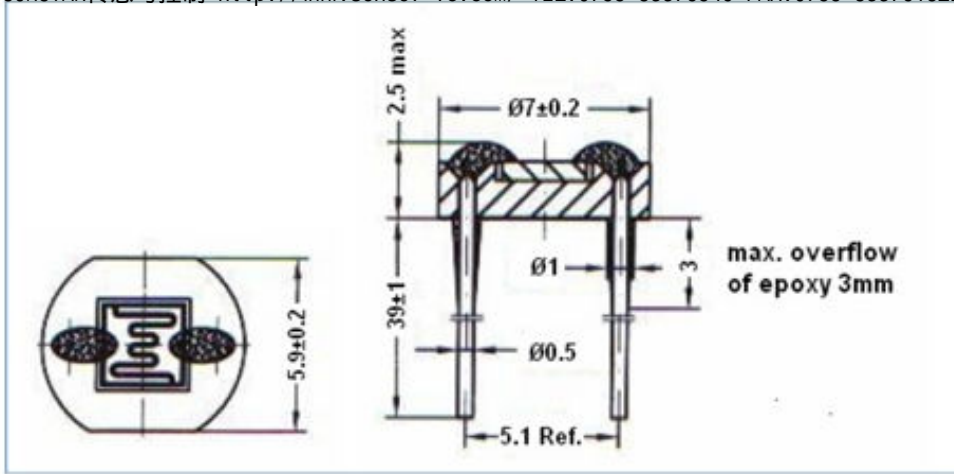


Figure 3
A70...
All dimensions in mm

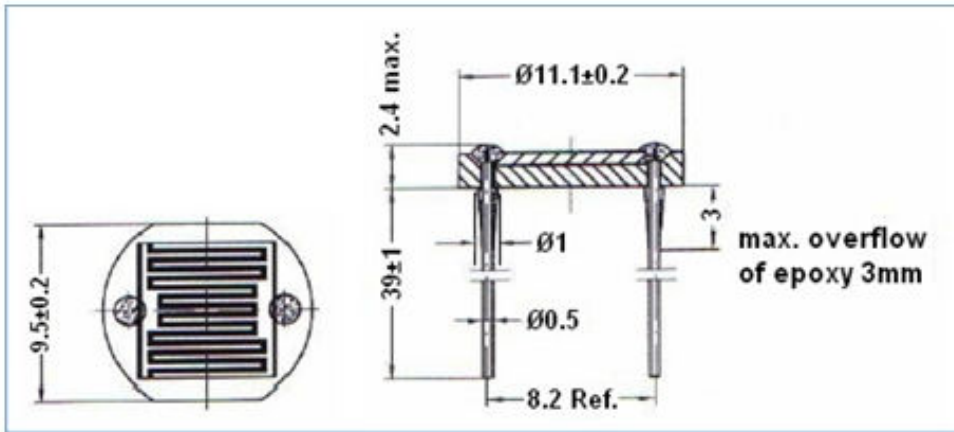


Figure 4
B90...
All dimensions in mm

North America Customer Support Hub
Excelitas Technologies
 22001 Dumberry Road
 Vaudreuil-Dorion, Québec
 Canada J7V 8P7
 Telephone: (+1) 450 424 3300
 Toll free: (+1) 866 574 6786
 Fax: (+1) 450 424 3345
generalinquiries@excelitas.com

European Headquarters
 Wenzel-Jaksch-Str. 31
 65199 Wiesbaden, Germany
 Telephone: (+49) 611-492-247
 Fax: (+49) 611-492-170

Asia Headquarters
 47 Ayer Rajah Crescent #06-12
 Singapore 139947
 Telephone: (+65) 6775-2022
 Fax: (+65) 6775-1008



For a complete listing of our global offices, visit www.Excelitas.com
 ©2011 Excelitas Technologies Corp. All rights reserved. The Excelitas logo and design are registered trademarks of Excelitas Technologies Corp. All other trademarks not owned by Excelitas Technologies, or its subsidiaries that are depicted herein are the property of their respective owners. Excelitas reserves the right to change this document at any time without notice and disclaims liability for editorial, pictorial or typographical errors.
 600257_01 DTS0308