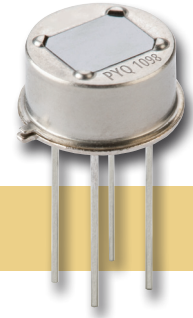


# SMART PYROELECTRIC DETECTORS FOR SIMPLE MOTION SENSING



## PYQ 1098 – Four Element “Smart DigiPyro®”

### Applications

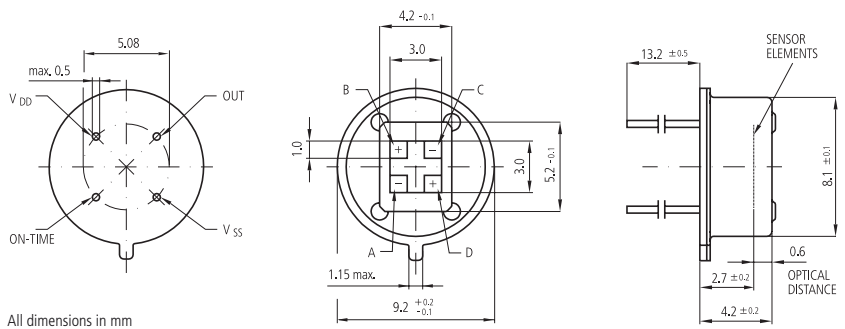
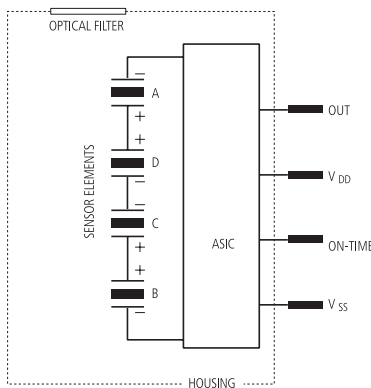
- Simple motion switches
- Auto light switch
- Wall switch

### Features and Benefits

- TO-5 metal housing
- All electronics included

### Product Description

The Smart DigiPyro® series offers a complete motion detector solution, with all electronic circuitry built into the detector housing. Only a power supply and power-switching components need to be added to make the entire motion switch, a timer is included. The series has versions which can include ambient light level and sensitivity adjustments.



All dimensions in mm

### PYQ 1098 – Four Element “Smart DigiPyro®”

Parameter	Symbol	PYQ 1098	Unit	Remark
Responsivity, min.	$R_{min}$	3.3	kV/W	$f = 1 \text{ Hz}$
Responsivity, typ.	R	4.0	kV/W	$f = 1 \text{ Hz}$
Match, max.	$M_{max}$	10	%	
Noise, max.		80	$\mu\text{V}_{pp}$	0.4 ... 10 Hz / 20° C
Field of view, horizontal	FoV	115°		Unobstructed
Field of view, vertical	FoV	70°		Unobstructed
Operating voltage	$V_{DD}$	2.7 ... 3.3	V	
Supply current	$I_{DDmax}$	150	$\mu\text{A}$	$V_{DD} = 3.3\text{V}$
<b>Digital Data</b>				
ADC sensitivity		6 ... 7	$\mu\text{V}/\text{count}$	
Sensitivity threshold		120	$\mu\text{V}_p$	
On-time		2 ... 4096	s	
OEN (ambient light control)		-	V	
Output driving current		1	$\mu\text{A}$	
<b>Filter, Signal Processing</b>				
Digital filter, cut on		0.44	Hz	
Digital filter, cut off		7	Hz	