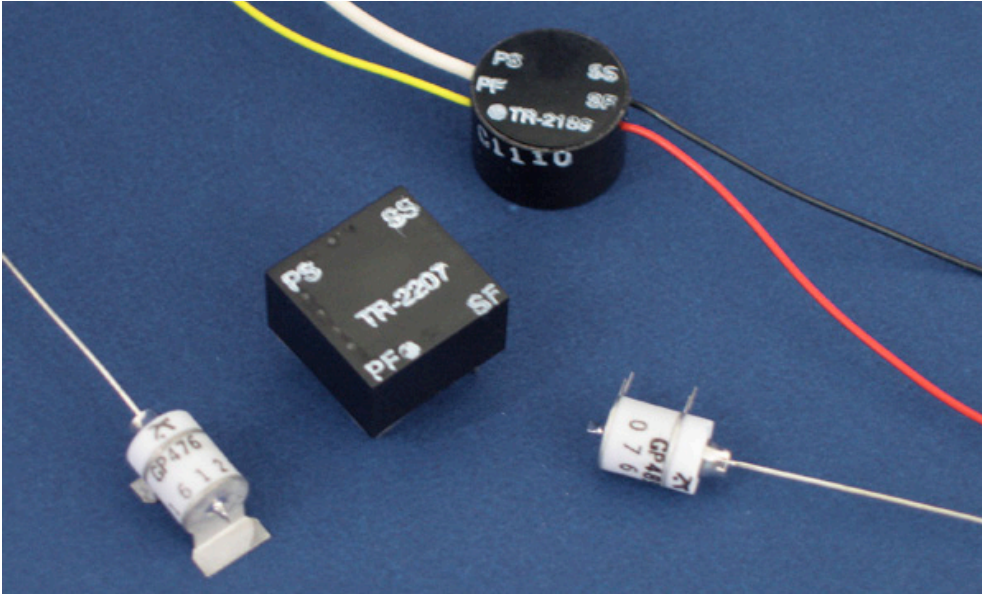


Mini-Triggered Spark Gaps & Transformers



Key Features

- High reliability
- Extremely low jitter
- Environmentally durable
- Small size
- Matching trigger transformers

Applications

- Exploding bridgewire (EBW)
- Exploding foil-initiator (EFI)
- Electronic safe and arm (ESA)
- Slapper/detonator

Excelitas' Mini-Triggered Spark Gaps are designed for high reliability switching up to 4 kV and 10 KA. Constructed of hermetically sealed ceramic-metal, filled with pressurized gas, they are typically used for activating electro-explosive devices such as exploding bridgewires, electronic safe and arm systems, and detonators.

Excelitas' Trigger Transformers are matched to the requirements of the Mini-Triggered Spark Gaps to provide a high voltage pulse with a fast rise time and low current. Excelitas' Trigger Transformers are designed to be the most durable and reliable transformers available.

Miniature Triggered Spark Gaps

The triggered spark gap is a three element, gas-filled, ceramic-to-metal, hermetically sealed, pressurized switch that operates in an arc discharge mode, conducting moderately high peak currents for short durations. Commutation between two main electrodes is initiated by a trigger pulse.

Applications

Precision timing and firing for in-flight functions such as rocket motor ignition, warhead detonation and missile stage separation. Each of these applications involves the activation of electro-explosive devices such as:

- Exploding bridgewire (EBW)
- Exploding foil initiator (EFI)
- Electronic safe and arm (ESA)
- Slapper/detonator

Mini-Triggered Spark Gaps & Transformers

These compact small, rugged gaps were designed for high-reliability applications where size, switch speed, and ability to withstand rugged missile environmental conditions of extreme shock, temperature, and vibration are required. They are designed for switching peak currents up to 10kA at operating voltages from 2.0 to 4.0 kV with reliable triggering voltage of 2kV. Prefires and failure to fire have been fully evaluated in the basic gap designs. Switching speeds of 70ns with trigger pulse energies as low as 500 microjoules is typical.

Performance Characteristics

Electrical characteristics are determined by testing in the circuit shown in Figure 1. The output circuit consisting of the switch, a 0.2 μF capacitor, and a 0.25 ohm current viewing resistor (CVR) is typical for life testing. It closely matches the conditions found in many typically used circuits. For function testing, the 0.25 ohm CVR is replaced with a 0.005 ohm CVR.

Typical data taken with a 0.005 ohm CVR are shown in Figure 2. This curve contains traces of the trigger voltage and conduction current. First, the trigger voltage rises to the point of trigger breakdown. Then there is a period designated "turn-on" or delay time during which the arc is forming followed by main gap conduction. This delay time varies from 50 to 1500 ns depending on gap operating voltage, trigger mode, amplitude and pulse width.

The trigger transformer circuit must be capable of providing a small sustaining current, typically, a few tens of milliamperes for reliable triggering. the characteristic "ring down" of conduction current is used to compute circuit impedance. The circuit is mechanically designed to yield the lowest possible overall inductance and resistance. Excluding the CVR, a typical circuit resistance is 60 milliohms. Circuit inductance can vary from 30 to 50 nH.

Transfer Characteristics

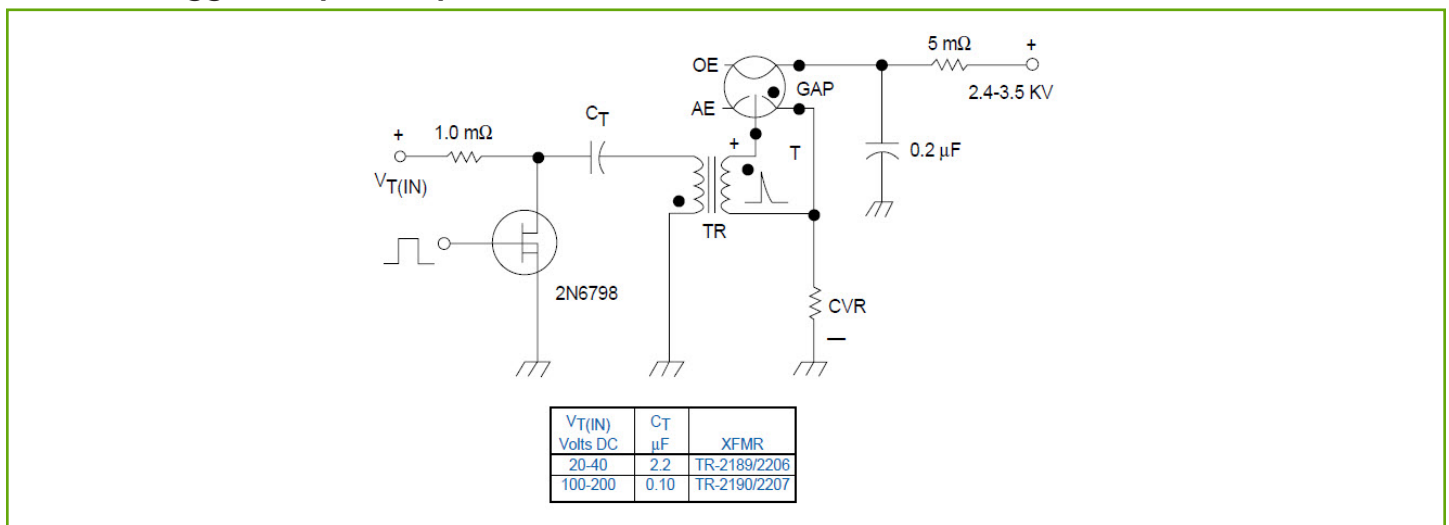
For the GP-486 the operating range (E-E) is 2.0 to 4.0 kV with a minimum trigger voltage (VT(OC)) open circuit of 2.0 kV. Static Breakdown Voltage (SBV) is 4.5 kV. Trigger mode is "C" - positive trigger and positive opposite electrode (OE). Changing polarities will result in changes in operating characteristics. The triggered spark gap operating range is shown in Figure 3.

Life

End of life is determined by changes in the gap's performance due to electrode erosion or gas cleanup. Prefire (firing without a trigger signal) or failure to fire (no fire with trigger applied) are typical symptoms determining end of life.

Life test data indicate reliable firing on many gaps after 2000 shots at 6000 amps peak current for 200 ns pulse width at 3.5 kV and load of 0.25 ohm. Life will be reduced with higher peak currents.

FIGURE 1 Triggered Spark Gap Test Circuit



Mini-Triggered Spark Gaps & Transformers

FIGURE 2 Triggered Voltage Breakdown and Main Gap Conduction Current

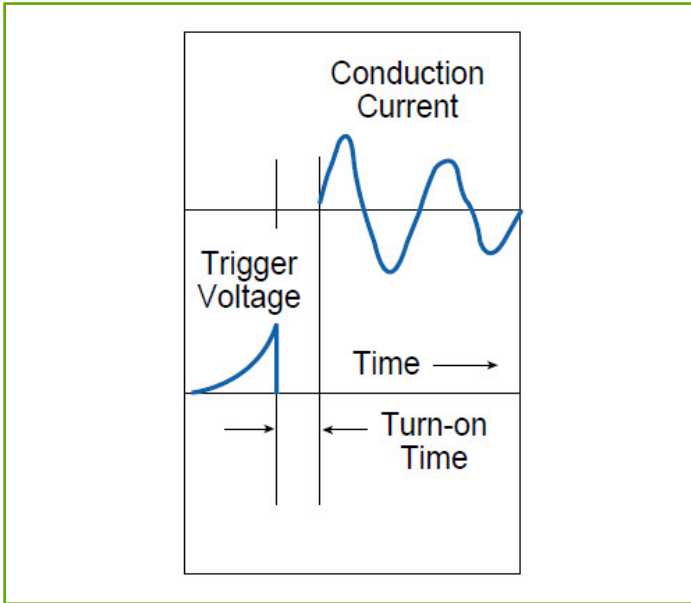


FIGURE 3 Transfer Characteristics

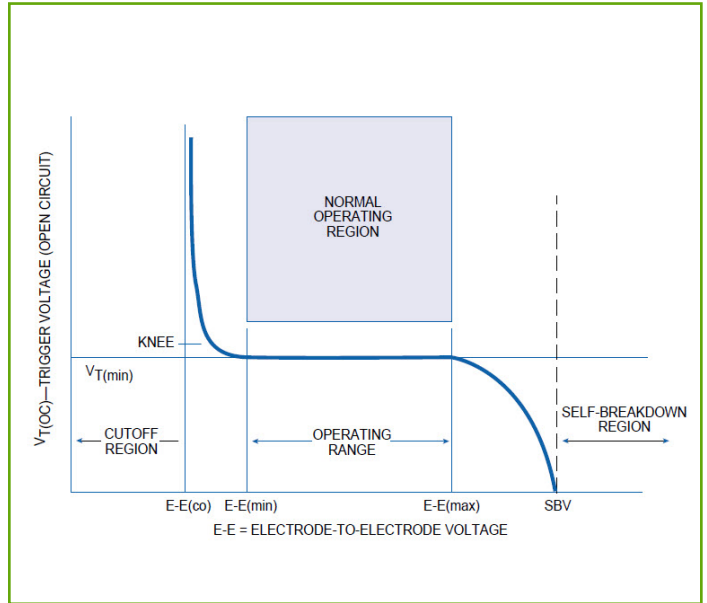


TABLE 1 Operating Specifications

Excelitas Model No.	E - E Operating Range		SBV Minimum Static Breakdown Voltage (kV)	VT(OpenCircuit) Minimum Trigger Voltage (kV)	Peak Pulse Current (kA)
	Min (kV)	Max (kV)			
GP-485	2	4	4.5	2	10
GP-486	2	4	4.5	2	10
GP-488	2	4	4.5	2	10
GP-489	2	4	4.5	2	10

Mini-Triggered Spark Gaps & Transformers

FIGURE 4 Mechanical Specifications

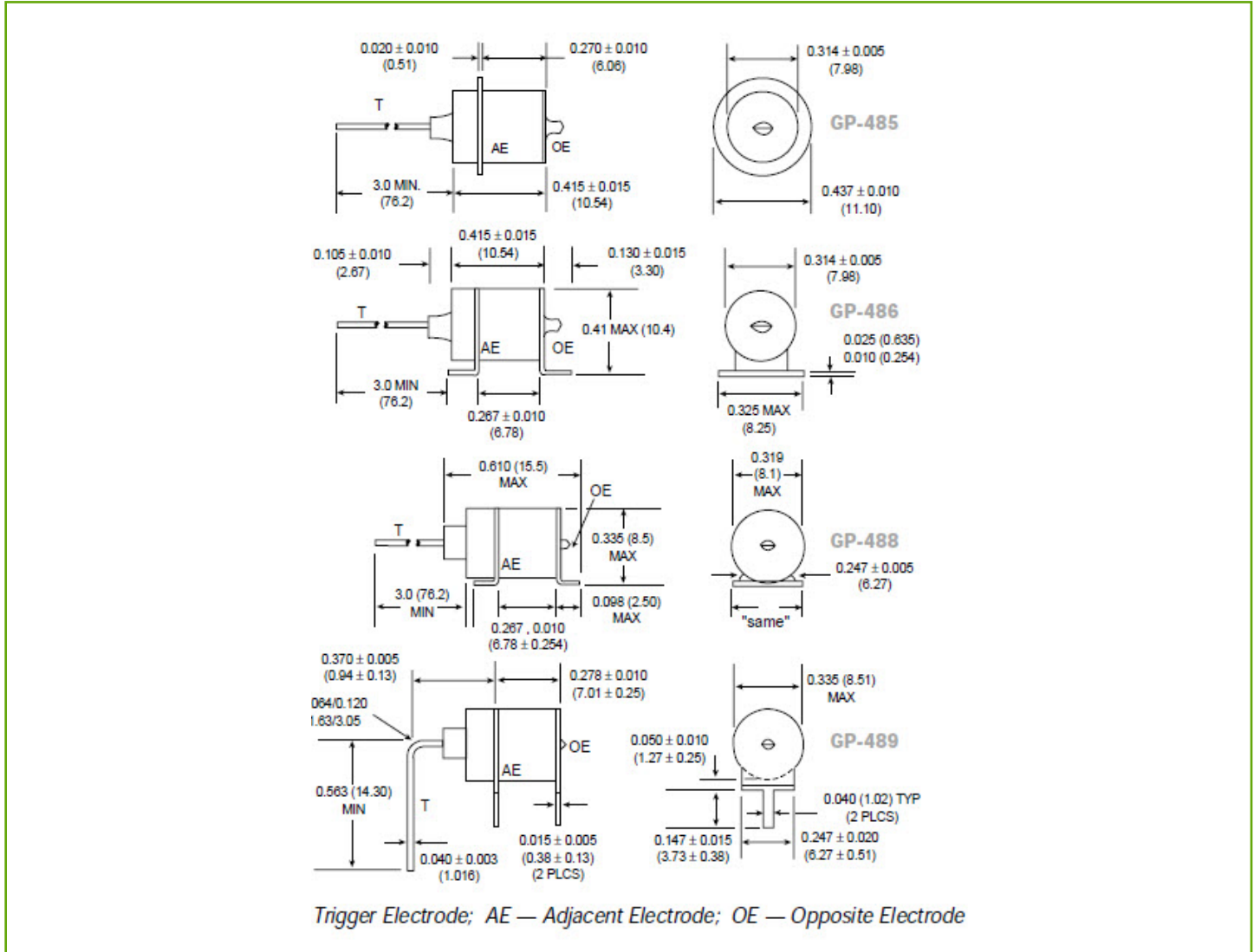


TABLE 2 Specifications

Environmental Specifications	
Ambient/Operating temperature range	-45 to + 100°C, Storage temperature range -65 to + 125°C
Vibration	15 to 500 Hz at 10 g maximum
Shock	per MIL-STD-202D, method 204, Test Condition A (30g, 11 ms)
Thermal Shock	per MIL-STD-202D, method 107, Test Condition B (-65 to + 125°C)
Humidity	per MIL-T-5422E, paragraph 4.4
Electrical Specifications	
Electrode capacity	Less than 5 pf.
Interelectrode resistance	Greater than 10 ¹⁰ ohms at 500V.
Mechanical Specifications	
Envelope	Ceramic-metal, hermetically sealed, exposed metal parts nickel plated

Mini-Triggered Spark Gaps & Transformers

Miniature Trigger Transformers TR-2189/2190/2206/ 2207

These transformers were customdesigned for reliable triggering of the Excelitas GP-485/486/488/489 triggered spark gaps. They have operating circuit output voltages well above the maximum required by the switches and are capable of sustaining the trigger to adjacent electrode current during the turn-on phase of gap operation. These transformers are constructed using miniature cores, wound and potted, to produce high output voltage with a minimum of corona at twice rated output voltage. The TR-2189 and TR-2206 are low input voltage transformers, round, with flying leads and solder connections. The TR-2190 and TR-2207 are high input voltage transformers, square, with pins for PC board connection.

FIGURE 5 Transformer Circuit

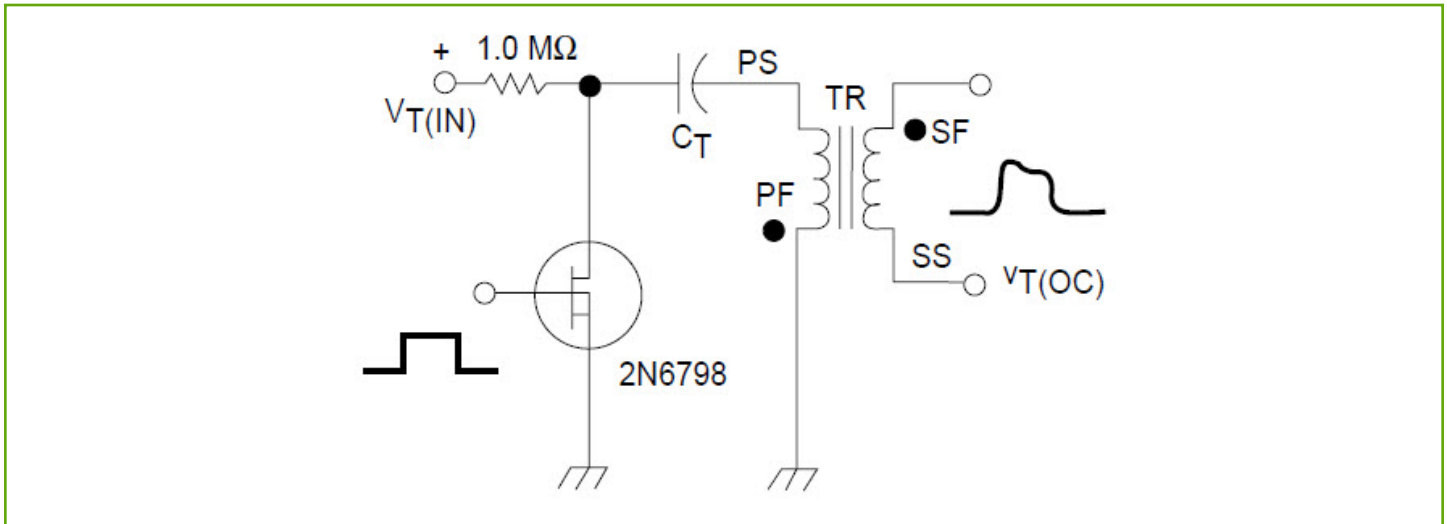
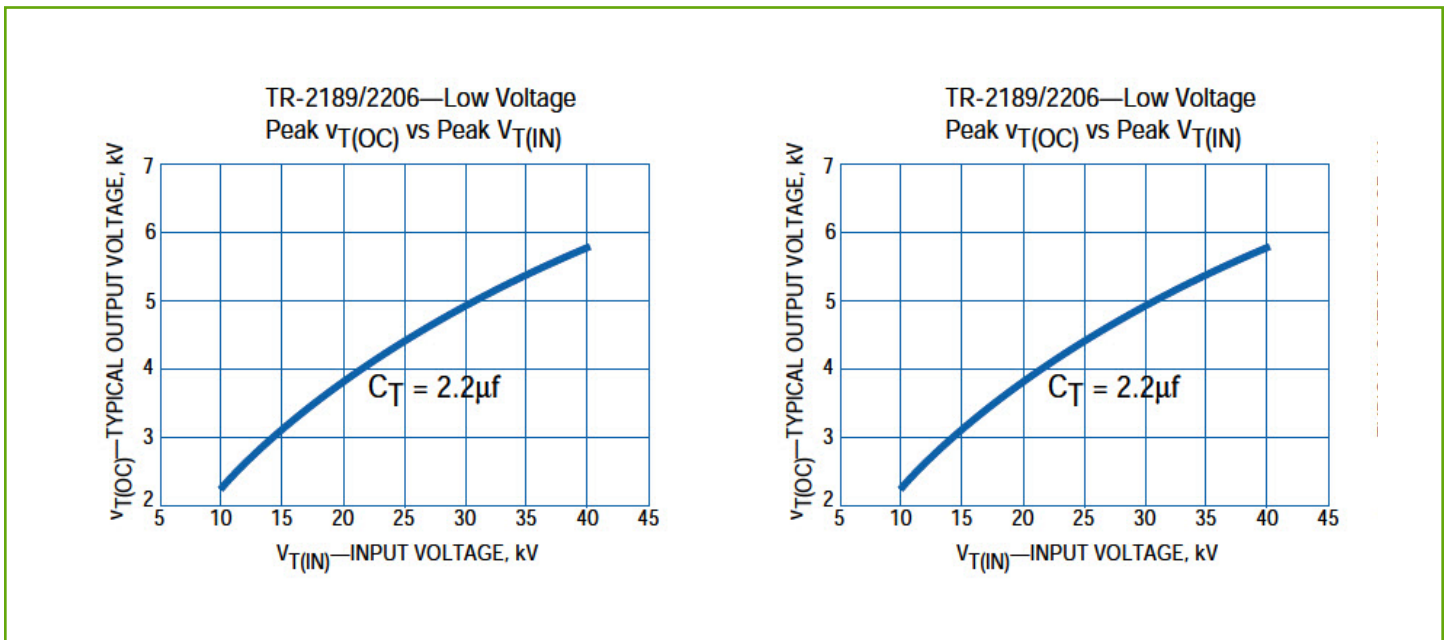


FIGURE 6 Output Voltage as a Function of Input Voltage



Mini-Triggered Spark Gaps & Transformers

FIGURE 7 Output Pulse Shapes

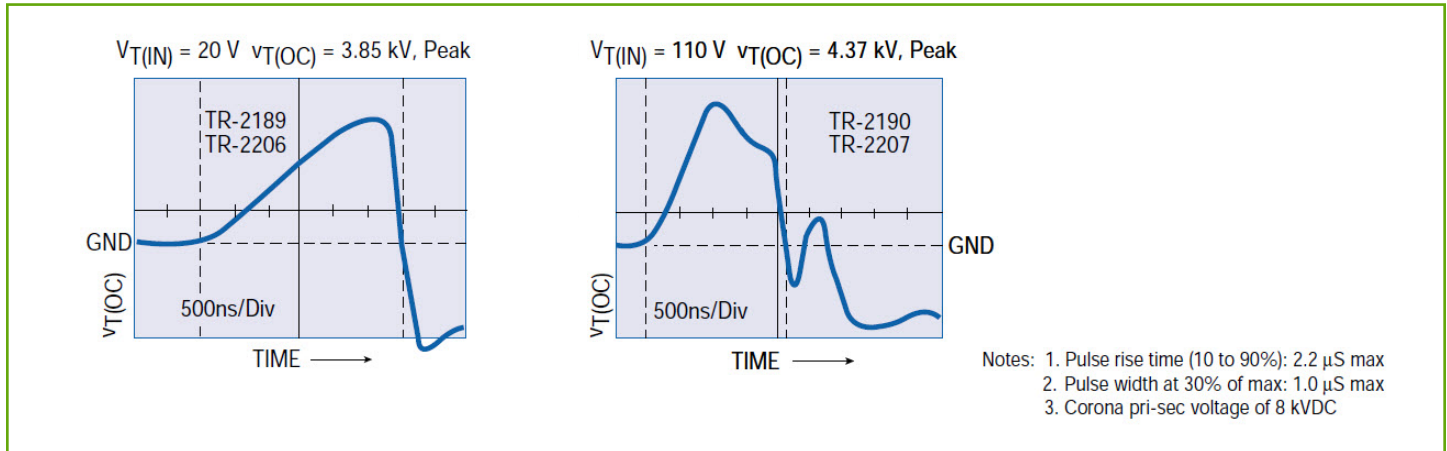
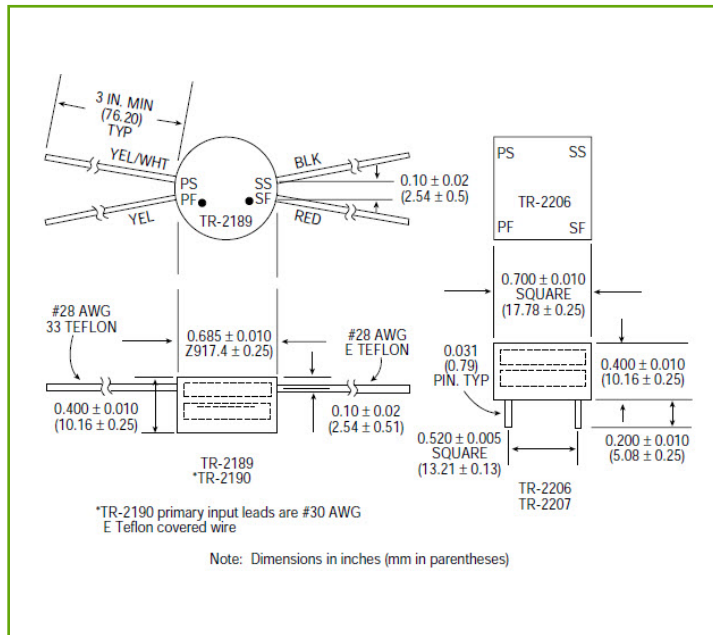


FIGURE 8 Mechanical Specifications



About Excelitas Technologies

Excelitas Technologies is a global technology leader focused on delivering innovative, customized solutions to meet the lighting, detection, energetic, frequency standards and high-reliability power needs of OEM customers. From aerospace and defense applications to industrial, safety and security, medical lighting, analytical instrumentation, and clinical diagnostics, Excelitas Technologies is committed to enabling our customers' success in their specialty end-markets. Excelitas Technologies has approximately 3,000 employees in North America, Europe and Asia, serving customers across the world.

AES@excelitas.com
www.excelitas.com

Excelitas Technologies
 Energetic Systems
 1100 Vanguard Blvd.
 Miamisburg, Ohio 45432
 USA
 Telephone: (+1) 937.865.3800
 Toll Free: (+1) 866.539.5916
 Fax: (+1) 937.865.5170

Excelitas Technologies
 Power Supplies
 1330 East Cypress Street
 Covina, California 91724 USA
 Telephone: (+1) 626.967.6021
 Toll Free: (+1) 800.363.2095
 Fax: (+1) 626.967.3151

Excelitas Technologies
 Frequency Standards
 & Switching
 35 Congress Street
 Salem Massachusetts 01970
 USA
 Telephone: (+1) 978.745.3200
 Toll Free: (+1) 800.950.3441
 Fax: (+1) 978.745.0894

Excelitas Technologies
 Lighting & Radiant Sources
 44370 Christy Street
 Fremont, California 94538-3180
 USA
 Telephone: (+1) 510.979.6500
 Toll Free: (+1) 800.775.6786
 Fax: (+1) 510.687.1140

Excelitas Technologies
 Sensors
 22001 Dumberry Road
 Vaudreuil-Dorion, Quebec
 Canada J7V 8P7
 Telephone: (+1) 450.424.3300
 Toll Free: (+1) 800.775.6786
 Fax: (+1) 450.424.3345

Excelitas Technologies
 International Sales Office
 Bat HTDS BP 246, 91882
 Massy Cedex, France
 Telephone: +33 (1) 6486 2824

For a complete listing of our global offices, visit www.excelitas.com/Locations

©2011, Excelitas Technologies Corp. All rights reserved. The Excelitas logo and design are registered trademarks of Excelitas Technologies Corp. All other trademarks not owned by Excelitas Technologies or its subsidiaries that are depicted herein are the property of their respective owners. Excelitas reserves the right to change this document at any time without notice and disclaims liability for editorial, pictorial or typographical errors.