

## DR425

### Direct Replacement Encoder For Quantum ATL P3000 Storage System

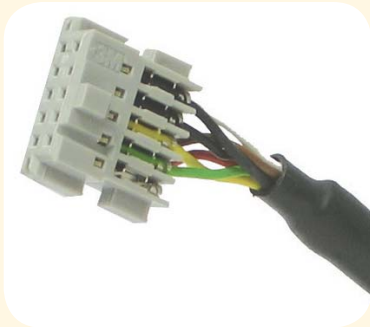


Do you need to replace the ATL6310783-01 encoder in your Quantum ATL P3000 storage system? The Accu-Coder™ DR425 from Encoder Products Company is a direct replacement. Encoder Products Company originally manufactured these encoders for the Quantum ATL P3000 System. Each DR425 is an exact match of the original encoder shipped with the ATL P3000 System.

Save time and money looking for a replacement encoder; Encoder Products Company has the perfect solution!

**Typical Price: \$475**

**DR425 Price: \$305** Additional Discounts Available For Volume Orders.



#### The Accu-Coder™ DR425 Features:

- Low profile (1.19") encoder body
- 8 mm thru-bore with front clamp
- Quadrature A & B channels
- 1024 CPR
- Line driver output
- Slotted flexible mounting system makes installation easy and allows for insulation and isolation from vibration
- 10-pin 3M connector
- Advanced Opto-ASIC technology for superior noise immunity
- Withstands temperatures up to 100° C

**Call EPC Customer Service  
Today At 1-800-366-5412  
To Order The DR425!**

#### The Accu-Coder™ Advantage

- This encoder is in stock and ready for **delivery TODAY!**
- **Huge savings** in price comparison!
- The accuracy, reliability, and quality that only come from an Accu-Coder™
- A **3-year** satisfaction guaranteed warranty!

**ACCU-CODER™**  
by Encoder Products Company



# DR425

## Direct Replacement Encoder For Quantum ATL P3000 Storage System

### Model DR425 Specifications

#### Electrical

Input Voltage ..... 4.75 to 16 VDC  
 Input Current ..... 100 mA max with no output load  
 Output Format ..... Incremental- Two square waves in quadrature with channel A leading B for clockwise shaft rotation, as viewed from the mounting face.  
 See *Waveform Diagrams* below.  
 Output Types ..... Line Driver- 20 mA max per channel (Meets RS 422 at 5 VDC supply)  
 Freq. Response ..... 200 kHz standard  
 Noise Immunity ..... Tested to BS EN61000-6-2; BS EN50081-2; BS EN61000-4-2; BS EN61000-4-3; BS EN61000-4-6, BS EN55011  
 Quadrature ..... 67.5° electrical or better is typical, 54°  
 Edge Separation ..... electrical minimum at temperatures > 99° C  
 Accuracy ..... Within 0.01° mechanical from one cycle to any other cycle, or 0.6 arc minutes

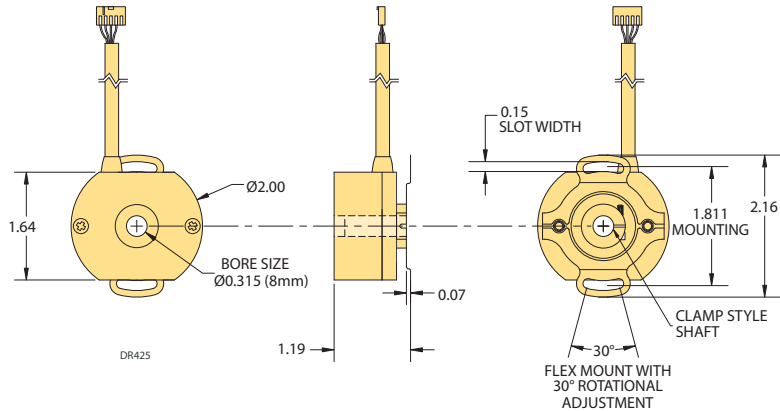
#### Mechanical

Max Shaft Speed .... 7500 RPM  
 Bore Size ..... 8 mm  
 Bore Tolerance ..... -0.0000" / +0.0006"  
 User Shaft Tolerances  
 Radial Runout ..... 0.007" max  
 Axial Endplay ..... ±0.030" max  
 Starting Torque ..... 0.50 oz-in  
 Moment of Inertia .....  $3.9 \times 10^{-4}$  oz-in-sec<sup>2</sup>  
 Max Acceleration .....  $1 \times 10^5$  rad/sec<sup>2</sup>  
 Electrical Conn ..... 18" cable (foil and braid shield, 24 AWG conductors) with 10-pin 3M connector  
 Housing ..... Black non-corrosive finish  
 Mounting ..... Slotted Flex Mount standard  
 Weight ..... 3.5 oz typical

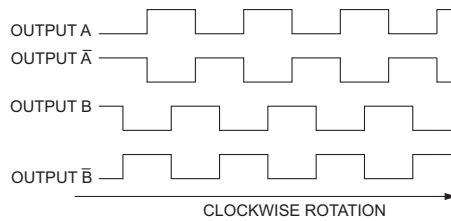
#### Environmental

Operating Temp ..... 0° to 100°C for high temperature option  
 Storage Temp ..... -40° to +100° C  
 Humidity ..... 98% RH non-condensing  
 Vibration ..... 10 g @ 58 to 500 Hz  
 Shock ..... 50 g @ 11 ms duration  
 Sealing ..... IP50

### DR425 Dimensions



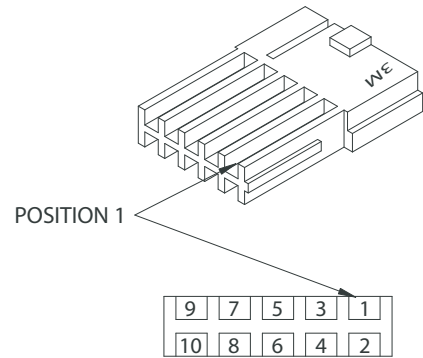
### DR425 Waveform Diagrams



DR425

### DR425 Wiring Tables

Position	Function	Cable Wire Color
1	Drain	Shield
2	+VDC	White
3	COM	Black
4	N/C	---
5	A-	Yellow
6	A+	Brown
7	B-	Green
8	B+	Red
9	N/C	---
10	N/C	---



**Don't see the exact encoder you need replaced?**  
 Call 1-800-366-5412 and a friendly Customer Service Representative will be happy to cross-reference any encoder that you need replaced.