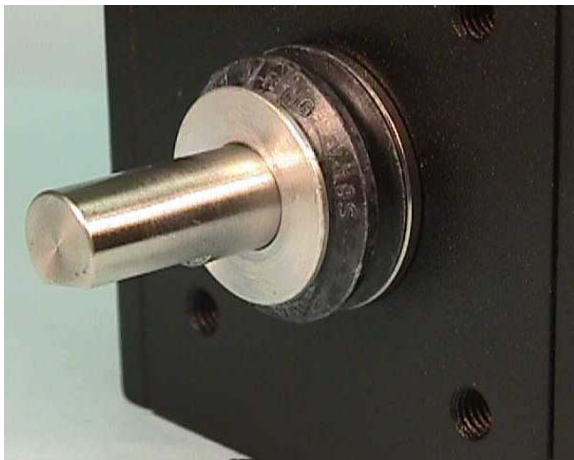


## Industrial Housing Seal Upgrade

EPC developed the IP-65 rated sealing option for the Industrial style housing for demanding and harsh environments. The IND12 offers superior sealing when compared to the standard IND housing. The performance of the IP-65 seal has proven so successful that we now have plans to make it the only sealing incorporated on the Industrial housing. Therefore the EPC will discontinue the IND housing as a standard catalog item.

The price for the higher performance IP-65 seal used with the IND12 will remain the same as the previous seal used on the IND.



**IND Seal**

### Sealing Differences

The IND incorporates a resilient rubber seal and the IND12 uses a tough, low wear Teflon based seal. The rubber seal is considered protection for dust and light moisture but does not carry an industrial rating. The Teflon seal is dust tight and protects against multidirectional water jet sprays and does carry an industrial rating of IP-65.

### Torque Differences

As with any shaft seal, the seal contacting the shaft increases the starting torque. Torque differences between the two seals are so slight they should be considered interchangeable in any application.

### Part Number Changes

The complete unit part numbers remain the same with the exception that the IND now should be replaced with IND12. EPC Customer Service will

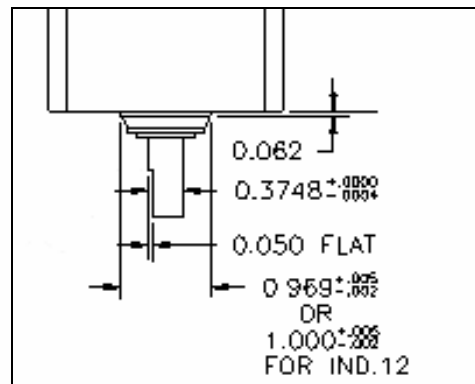
be pleased to assist customers converting IND part numbers to IND12.



**IND12 Seal**

### Dimensional Differences

The IND has a .969 inch boss, and the IND12 has a 1.000 inch boss around the unit shaft. Therefore applications using this boss for alignment, or applications using shaft side mounting may require additional clearance for this boss. For applications which require the .969 inch boss and modifications cannot be made, please contact the EPC factory @ 800-366-5412.



**Drawing of Boss Dimensions**

If you have questions regarding this Technical Bulletin, please call Technical Support at (800) 366-5412 or email [techsupport@encoder.com](mailto:techsupport@encoder.com).

TB-114.doc, Rev B, 09/30/05