

Oxygen CiTiceL[®] Specification

T7OX-V 4-20mA Transmitter

Performance Characteristics

Sensor Type Used	7OX-V
Range	0-25% Oxygen
Expected Operating Life	Two years in air
Resolution	0.1%
Temperature Range	-20°C to +50°C
Pressure Range	Atmospheric ± 10%
Pressure Coefficient	0.02% signal/mBar
T₉₅ Response Time	≤15 seconds
Relative Humidity Range	0 to 99% non-condensing
Long Term Output Drift	<5% signal loss/year

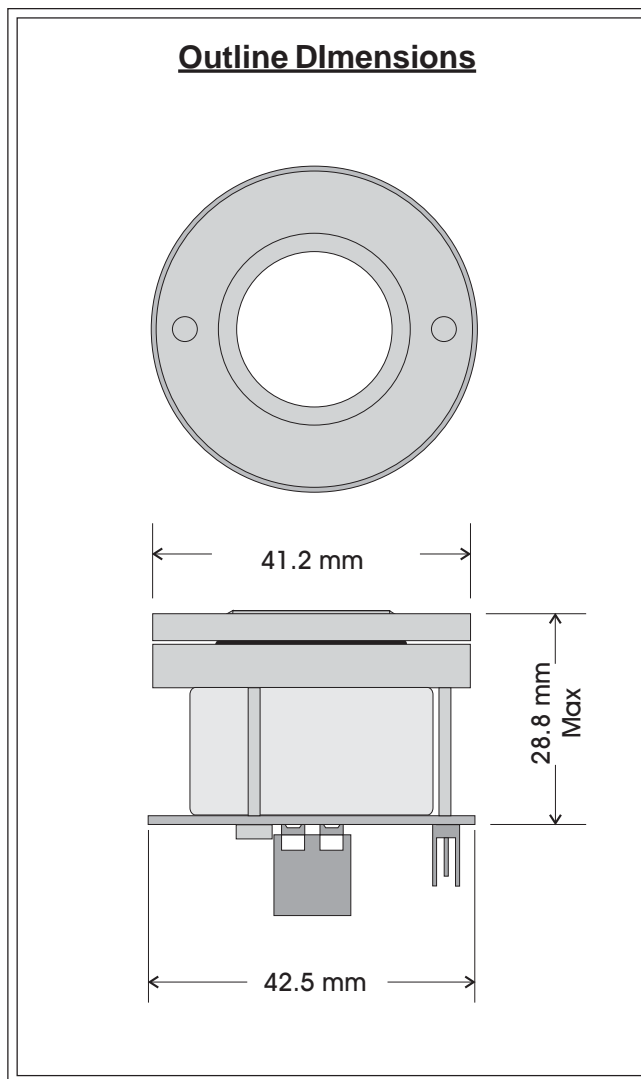
N.B. All performance data is based on conditions at 20°C, 50%RH, and 1013mBar

Electrical Characteristics

Output	4-20mA d.c.
Power Supply Required	10 to 35V d.c.
Calibration	Via built-in span potentiometer
Output Impedance	15MΩ

Physical Characteristics

Weight	approx. 120g
Position Sensitivity	None
Storage Life	Six months in CTL container
Recommended Storage Temperature	0-20°C
Warranty Period	24 months from date of despatch (This amounts to a variation of condition 6 of our standard terms and conditions which otherwise apply)

Outline Dimensions

Oxygen CiTiceL® Specification



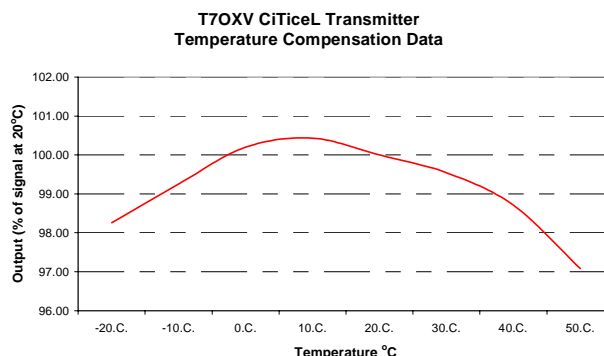
Temperature Behaviour

1) Gradual changes

Oxygen 4-20mA Transmitters are compensated to minimise the variation in output with gradual changes in temperature. The mean compensated output of a batch of transmitters at a number of temperatures is shown to the right, expressed as a percentage of the signal at 20°C.

2) Sharp fluctuations

A transient response will occur with sharp fluctuations in temperature. For rapid increases in temperature there is a sharp drop in sensor output, and a sharp increase in output for rapid decreases. These responses are transient and should die away in about 20 seconds.



Linearity

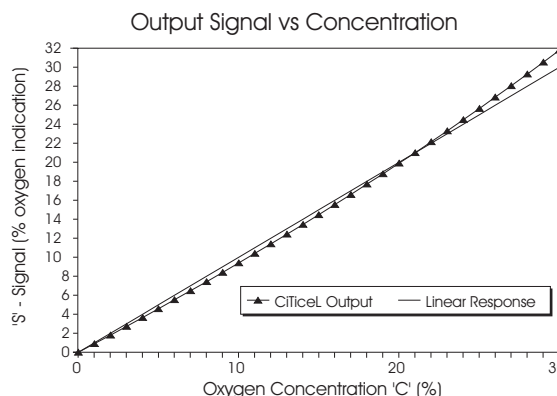
The output signal of an Oxygen CiTiceL follows the relationship:

$$S = K \log_e 1/(1-C)$$

where:

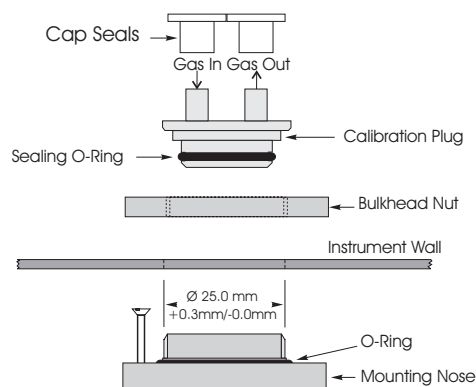
- S = Output signal;
- C = Fractional oxygen concentration;
- K = a constant for the sensor.

For most applications the deviation from a linear response will be insignificant, and no compensation needed. For example, the graph below shows the output of a sensor calibrated in air (20.9% O₂). In this case the maximum error in the 0-25% range is »0.5% at around 10% O₂.



Mounting

A diffusion mounting assembly, the "nose" adaptor, is supplied with CiTiceL transmitters for convenient mounting in a wide range of weatherproof housings. It also features a plug for easy zeroing and exposure to calibration gas and a bonded membrane and mesh to prevent dirt and dust particles reaching the sensor.



Every effort has been made to ensure the accuracy of this document at the time of printing. In accordance with the company's policy of continued product improvement City Technology Limited reserves the right to make product changes without notice. No liability is accepted for any consequential losses, injury or damage resulting from the use of this document or from any omissions or errors herein. The data is given for guidance only. It does not constitute a specification or an offer for sale. The products are always subject to a programme of improvement and testing which may result in some changes in the characteristics quoted. As the products may be used by the client in circumstances beyond the knowledge and control of City Technology Limited, we cannot give any warranty as to the relevance of these particulars to an application. It is the clients' responsibility to carry out the necessary tests to determine the usefulness of the products and to ensure their safety of operation in a particular application.

Performance characteristics on this data sheet outline the performance of newly supplied sensors. Output signal can drift below the lower limit over time.