

Oxygen MediceL[®] Specification



MOX-20 MediceL[®]

Fast response oxygen sensor for Breath analysis

Includes internal temperature compensated amplifier for optimised high level output

N.B. The specification is based on measurements made with cylinder gases using a flow rate of 0.5litre/min. Conditions at 20°C, 50%RH, and 1013mBar unless otherwise noted.

Performance Characteristics

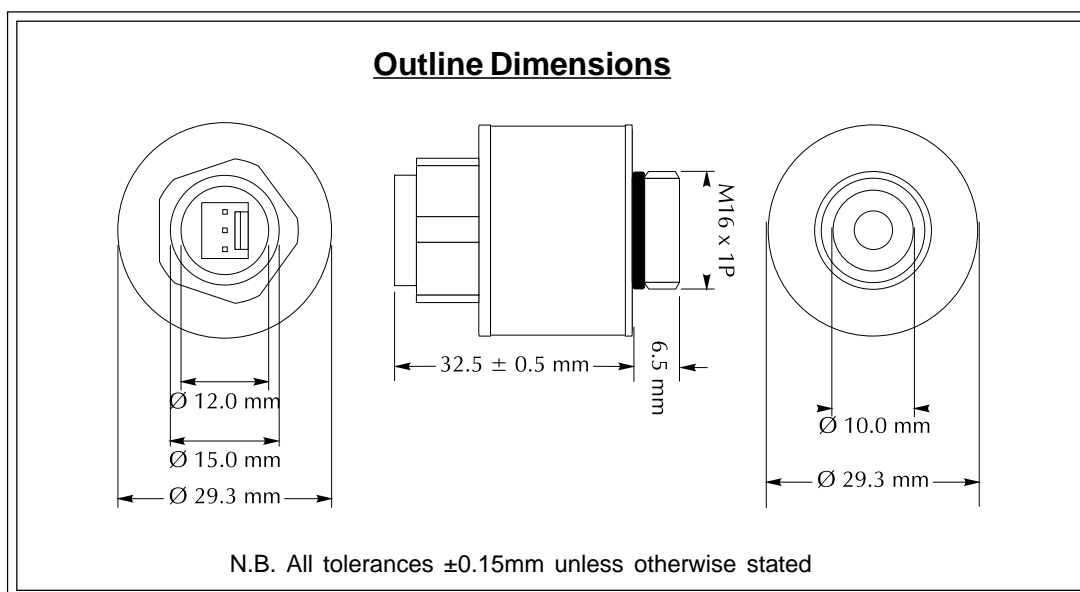
Output	0.8 - 1.25V in Air
Range	0-1500mBar
Power Supply	5 to 12V D.C.
Resolution	1mBar O ₂
Expected Operating Life	276,000 % O ₂ hrs
Operating Temp Range	0°C to +50°C
Pressure Range	0.5-2.0Bar
Linearity	Linear 0-100% O ₂
Temp. Compensation	<4% variation from 0-40°C
Relative Humidity Range	0 to 99% non- condensing
Response Time(N₂ to 21% O₂)	T ₁₀₋₉₀ <750ms at flow rate 0.5L/min (T90 flow dependant)
Long Term Output Drift	Typically <10% over 1 year in ambient air

Physical Characteristics

Housing Material	White ABS
Position Sensitivity	None
Storage Life	6 months
Recommended Storage Temperature	0-20°C
Warranty Period	13 months from date of despatch (This amounts to a variation of condition 6 of our standard terms and conditions which otherwise apply)



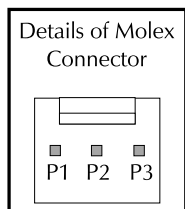
Note 1: Use of a regression coefficient shows a best fit straight line better than 0.9995 when measured through the four data points N₂, 21% O₂, 60% O₂ and 100% O₂.
 Note 2: Not suitable for use with anaesthetic agent gases.



Oxygen MediceL[®] Specification



Electrical Connection Schematic : MOX-20



P1 Vout
P2 0V
P3 V+



Supply voltage

V+ = +5V for operation up to 25% O₂

V+ = +12V for operation up to 100% O₂

Suitable connector from Molex, 22-01-2035

Every effort has been made to ensure the accuracy of this document at the time of printing. In accordance with the company's policy of continued product improvement City Technology Limited reserves the right to make product changes without notice. No liability is accepted for any consequential losses, injury or damage resulting from the use of this document or from any omissions or errors herein. The data is given for guidance only. It does not constitute a specification or an offer for sale. The products are always subject to a programme of improvement and testing which may result in some changes in the characteristics quoted. As the products may be used by the client in circumstances beyond the knowledge and control of City Technology Limited, we cannot give any warranty as to the relevance of these particulars to an application. It is the clients' responsibility to carry out the necessary tests to determine the usefulness of the products and to ensure their safety of operation in a particular application.

Performance characteristics on this data sheet outline the performance of newly supplied sensors. Output signal can drift below the lower limit over time.