

## **NPH Series Solid State Pressure Sensor (Medium Pressure)**

### **DESCRIPTION**

An integrated circuit silicon sensor chip is housed in a standard TO-8 electrical package that is printed circuit board mountable.

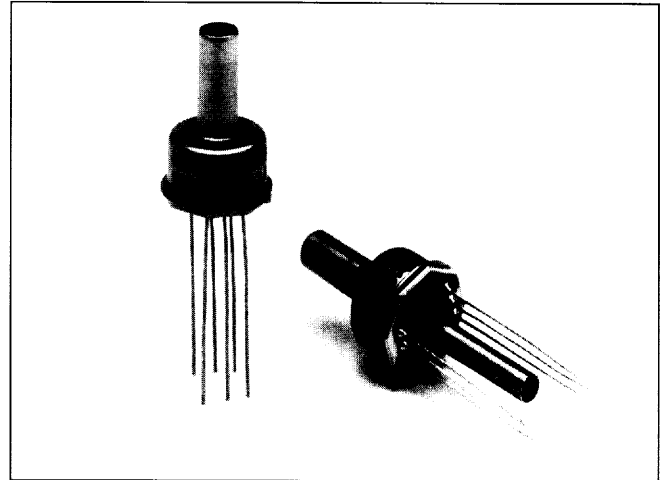
The latest techniques in VLSI and micromachining have been used to ion-implant piezoresistive strain gages into a Wheatstone bridge configuration that is integrally formed on a micromachined silicon diaphragm. As with all NovaSensor® silicon sensors, the NPH Series employs SenStable® processing technology, providing excellent output stability. Constant current excitation to the sensor produces a voltage output that is linearly proportional to the input pressure.

The user can provide standard signal conditioning circuitry to amplify the 100mV output signal. The sensor is compatible with most noncorrosive gases and dry air.

A laser-trimmed, thick-film resistor network on a hybrid ceramic substrate provides temperature compensation.

### **APPLICATIONS**

- Process Control, P-to-I Converters
- Pneumatic Control Systems
- HVAC Controls
- Biomedical: Infusion Pumps, Sphygmomanometers, Respirators
- Aerospace: Altimeters, Barometers, Cabin Pressure Sensors
- Computer Peripherals



### **FEATURES**

- Solid State, High Reliability
- Standard TO-8 Package Suitable for PC Board Mount
- Low Cost, Small Size
- Available in Gage, Absolute, and Differential Pressure Versions
- Media Compatible with Noncorrosive Gases and Dry air
- Output Signal of 100mV @ 1.5mA
- Thermal Accuracy FSO 0.4% Typical
- Overpressure Capability to 4 Times Maximum Rated Pressure
- Three Standard Ranges: 0-15, 0-30, and 0-100 psi
- Nonlinearity 0.05% FSO Typical
- Standard 3/16" OD Pressure Port
- Ceramic Substrate with Temperature Compensation Resistors is Standard
- Programmed 3.00 VDC Amplified FSO with 1.5 mA Constant Current Excitation Available
- Custom Configurations and Other Pressure Ranges Available. Please Consult Factory.

# Operating Characteristics

SUNSTAR自动化 <http://www.sensor-ic.com/> TEL: 0755-83376549 FAX: 0755-83376182 E-MAIL: szss20@163.com

PARAMETER	VALUE	UNITS	NOTES
<b>GENERAL</b>			
Pressure Range	0-100	kPa	≈ 0-15 psi
	0-200	kPa	≈ 0-30 psi
	0-700	kPa	≈ 0-100 psi
Maximum Pressure	4 x		rated pressure <sup>(8)</sup>
<b>ELECTRICAL @ 25°C (77°F) unless otherwise stated</b>			
Input Excitation	1.5	mA	2mA max.
Insulation Resistance	10 <sup>7</sup>	Ω	@ 50 V <sub>DC</sub>
Input Impedance	4,000	Ω	± 20%
Output Impedance	5,000	Ω	± 20%
Bridge Impedance	5,000	Ω	± 20%
<b>ENVIRONMENTAL</b>			
Temperature Range			
Operating <sup>(9)</sup>	-40 to +125	°C	-40° to +257°F
Compensation Range	0 to +70	°C	+32° to +158°F
Vibration	10	g <sub>RMS</sub>	20 to 2000Hz
Shock	100	g	11 milliseconds
Life (Dynamic Pressure Cycle)	1 x 10 <sup>6</sup>	cycles	
<b>MECHANICAL</b>			
Weight	<5	grams	<0.2 oz.
Media Compatibility	Noncorrosive gases and dry air		
Wetted Materials	Top Port:	Nickel, gold plated Kovar, silicone gel, gold wire, RTV, silicon & glass.	
	Bottom Port:	Gold plated Kovar, silicon, glass and RTV. <sup>(10)</sup>	

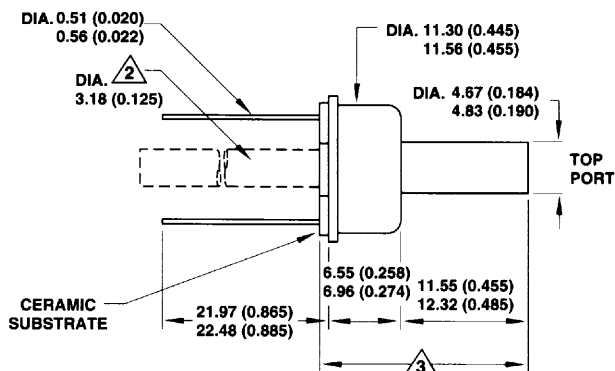
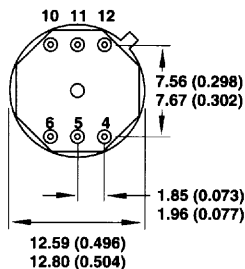
PARAMETER	PERFORMANCE <sup>(7)</sup> COMPENSATED <sup>(1)</sup>				
	100, 200 & 700 KPA				
	UNITS	MIN.	TYP.	MAX.	NOTES
Offset	mV	-2	± 1	2	
Full Scale Output	mV	75	100	125	2
Linearity	%FSO	-0.1	0.05	0.1	3
Hysteresis and Repeatability	%FSO	-0.05	0.01	0.05	
Thermal Accuracy of Offset					
100 kPa	%FSO	-0.6	0.4	0.6	4
200 & 700 kPa	%FSO	-0.5	0.2	0.5	4
Thermal Accuracy of FSO					
100 kPa	%FSO	-0.6	-0.4	0.6	4
200 & 700 kPa	%FSO	-0.5	-0.2	0.5	4
Thermal Hysteresis	%FSO	-0.1	±0.05	0.1	5
Short-Term Stability of Offset	μV/V		±5		6, 11
Short-Term Stability of FSO	μV/V		±5		6, 11

- Notes:**
- Performance with offset, thermal accuracy of offset, and thermal accuracy of FSO compensation resistors.
  - FSO measured with 1.5mA input excitation.
  - Best fit straight line.
  - 0 to +70°C with reference to 25°C
  - 0 to +70°C
  - Normalized offset/bridge voltage — 100 hrs.
  - All values measured at 25°C and at 1.5mA, unless otherwise noted.
  - Topside pressure. Backside pressure maximum pressure is 250 psi or 4x rated pressure, whichever is less.
  - Reduced performance outside compensation range.
  - Backside differential tube is nickel.
  - Typical specifications are for reference only; absolute values may vary.

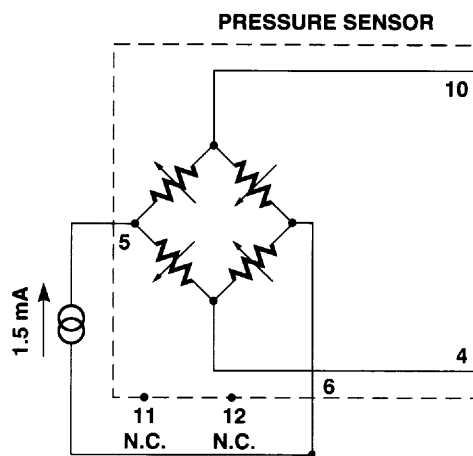
# Dimensions and Ordering Information

SUNSTAR传感器控制 <http://www.sensor-ic.com/> TEL: 0755-83376889 FAX: 0755-83376182 E-MAIL: szsss20@163.com

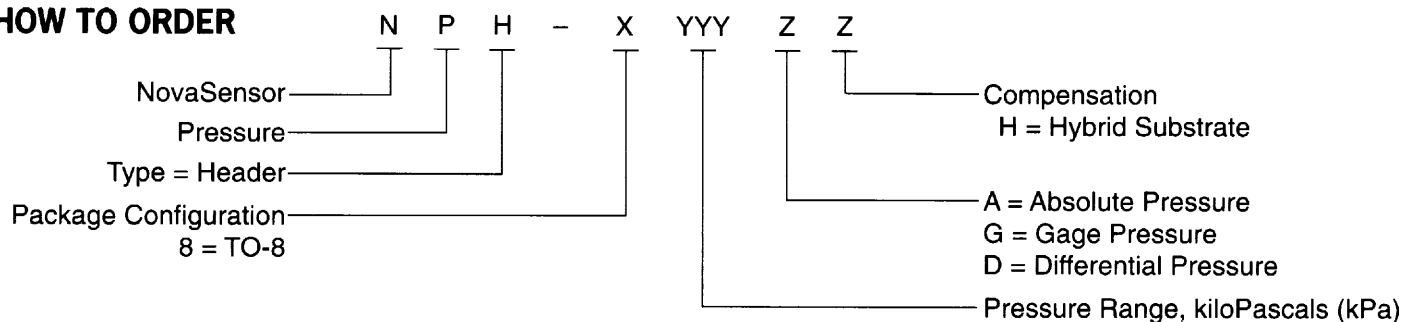
PIN	FUNCTION
4	+ OUT
5	+ IN
6	- IN
10	- OUT



- Notes:**
- All dimensions in millimeters (inches).
  - Backside differential tube is  $17.15 \pm 0.051$  ( $0.675 \pm 0.010$ ) long, measured from back of header to tip, not from backplane of ceramic to tip.
  - Length is  $19.33 - 0.635/+0.889$  ( $0.761 - 0.025/+0.035$ ) for gage type and  $19.33 - 0.635/+1.40$  ( $0.761 - 0.025/+0.055$ ) for differential type.



## HOW TO ORDER



**Options:** A 3/16" OD pressure port is standard. Absolute pressure version is available only in 0 kPa range. Lead length of 0.875" is standard. Please consult factory for options.  
**Ordering Example:** Assume a requirement for a temperature compensated gage pressure transducer with a 0–100 kiloPascal range in a TO-8 package. Model number would be: NPH-8-100GH.

**Sales Terms:** NovaSensor standard sales terms apply. Prices and specifications are subject to change without notice.  
**Warranty:** NovaSensor warrants its products against defects in material and workmanship for 12 months from date of shipment. Products not subjected to misuse will be repaired or replaced. THE FOREGOING IS IN LIEU OF ANY OTHER EXPRESSED OR IMPLIED WARRANTIES. NovaSensor reserves the right to make changes to any product herein and assumes no liability arising out of the application or use of any product or circuit described or referenced herein.



NOVASENSOR

<http://www.novasensor.com>

SUNSTAR自动传感器控制 <http://www.sensor-ic.com/> TEL: 0755-83376889 FAX: 0755-83376182 E-MAIL: szsss20@163.com

**SUNSTAR 商斯达实业集团**是集研发、生产、工程、销售、代理经销、技术咨询、信息服务等为一体的高科技企业，是专业高科技电子产品生产厂家，是具有 10 多年历史的专业电子元器件供应商，是中国最早和最大的仓储式连锁规模经营大型综合电子零部件代理分销商之一，是一家专业代理和分销世界各大品牌 IC 芯片和电子元器件的连锁经营综合性国际公司，专业经营进口、国产名厂名牌电子元件，型号、种类齐全。在香港、北京、深圳、上海、西安、成都等全国主要电子市场设有直属分公司和产品展示展销窗口门市部专卖店及代理分销商，已在全国范围内建成强大统一的供货和代理分销网络。我们专业代理经销、开发生产电子元器件、集成电路、传感器、微波光电元器件、工控机/DOC/DOM 电子盘、专用电路、单片机开发、MCU/DSP/ARM/FPGA 软件硬件、二极管、三极管、模块等，是您可靠的一站式现货配套供应商、方案提供商、部件功能模块开发配套商。商斯达实业公司拥有庞大的资料库，有数位毕业于著名高校——有中国电子工业摇篮之称的西安电子科技大学（西军电）并长期从事国防尖端科技研究的高级工程师为您精挑细选、量身订做各种高科技电子元器件，并解决各种技术问题。

更多产品请看本公司产品专用销售网站：

商斯达中国传感器科技信息网：<http://www.sensor-ic.com/>

商斯达工控安防网：<http://www.pc-ps.net/>

商斯达电子元器件网：<http://www.sunstare.com/>

商斯达微波光电产品网：[HTTP://www.rfoe.net/](http://www.rfoe.net/)

商斯达消费电子产品网：<http://www.icasic.com/>

商斯达实业科技产品网：<http://www.sunstars.cn/>

传感器销售热线：

地址：深圳市福田区福华路福庆街鸿图大厦 1602 室

电话：0755-83370250 83376489 83376549 83607652 83370251 82500323

传真：0755-83376182 (0) 13902971329 MSN: [SUNS8888@hotmail.com](mailto:SUNS8888@hotmail.com)

邮编：518033 E-mail:[szss20@163.com](mailto:szss20@163.com) QQ: 195847376

深圳赛格展销部：深圳华强北路赛格电子市场 2583 号 电话：0755-83665529 25059422

技术支持：0755-83394033 13501568376

欢迎索取免费详细资料、设计指南和光盘；产品凡多，未能尽录，欢迎来电查询。

北京分公司：北京海淀区知春路 132 号中发电子大厦 3097 号

TEL: 010-81159046 82615020 13501189838 FAX: 010-62543996

上海分公司：上海市北京东路 668 号上海赛格电子市场 2B35 号

TEL: 021-28311762 56703037 13701955389 FAX: 021-56703037

西安分公司：西安高新开发区 20 所(中国电子科技集团导航技术研究所)

西安劳动南路 88 号电子商城二楼 D23 号

TEL: 029-81022619 13072977981 FAX:029-88789382