

# STX 2100 Series

Smart/HART® Differential Pressure Transmitter

- $\pm 0.1\%$  accuracy
- Ranges from 3.75mbar to 20 bar
- 16:1 rangeability
- Line Pressure up to 140 bar
- 2-wire 4-20mA with HART® protocol
- Robust and Modular Design
- Local zero and span adjustment



# STX 2100 Series

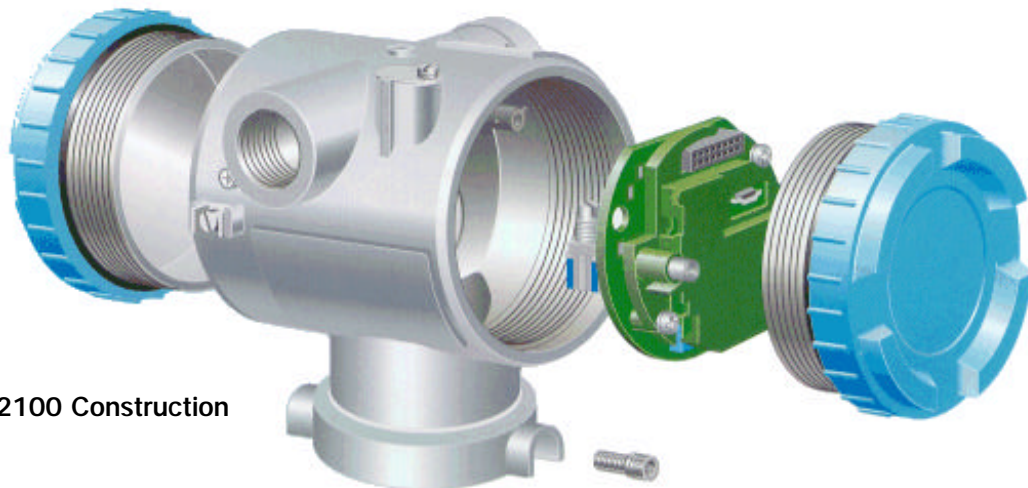
## Smart/HART® Differential Pressure Transmitter

Smart/HART® Differential Pressure Transmitter  
The STX 2100 Series Differential Pressure Transmitter complements the STX 2000 Series, providing a complete family of Smart gauge, absolute and differential units. Featuring a unique floating sensor design and state-of-the-art electronics incorporating the HART® protocol, the STX 2100 Series provides enhanced performance and digital two-way communication.

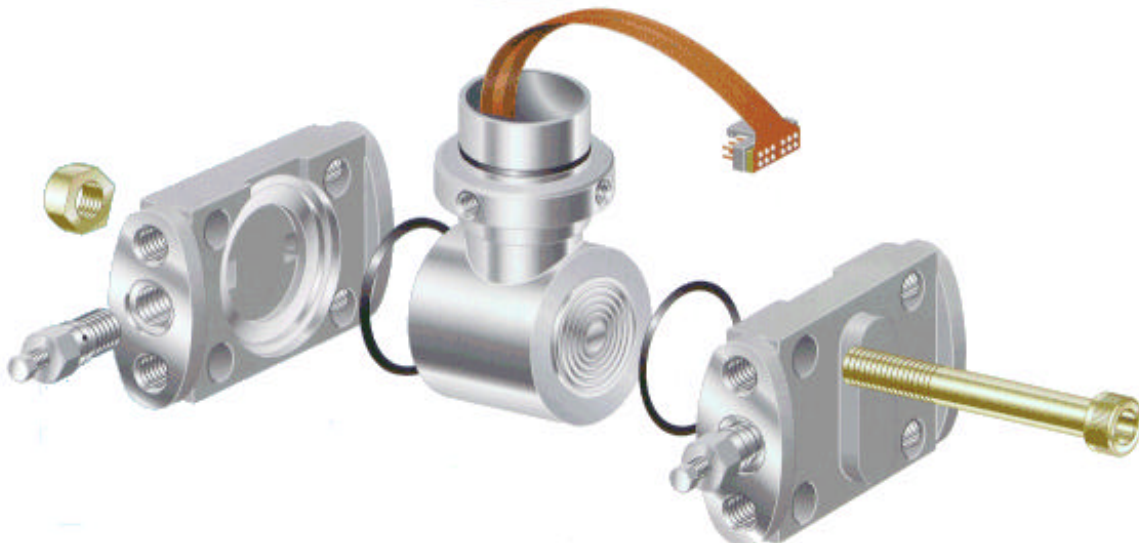
At the heart of the instrument is a micro-capacitance silicon sensing element which floats remotely from the isolation diaphragms. Silicon has excellent mechanical properties, being perfectly free from hysteresis, and enables repeatability of better than 0.01% to be achieved. Wide measurement capability results in a standard sensor design covering all pressure ranges, enabling the use of process connections with 54mm centres to DIN 19213 throughout.

The electronics assembly is modular and utilises surface mounted components and ASIC (Application Specific Integrated Circuit) technology to create a neat and compact electronics unit. As the compensation data is stored in an EEPROM within the sensing element, the electronics can easily be replaced in the field without the need to re-characterise the complete assembly. The microprocessor performs selectable damping, high or low failure alarm, linear or square root output function and write protection to inhibit any unauthorised change of instrument configuration.

The optional LCD indicator is available configured in a number of display options: 0-100% linear, engineering units or 0-100% square root scale independent of transmitter analogue output.



STX 2100 Construction





**STANDARD SPECIFICATION**

**Pressure Measurement Specification**

**Standard Ranges**

The transmitter is available in the following standard (zero based) ranges or calibrated to any acceptable intermediate span specified:-

0-3.75mbar to 0-60mbar differential

(static pressure limit: 32 bar)

0-20mbar to 0-320mbar differential

0-81.25mbar to 0-1.3 bar differential

0-312.5mbar to 0-5 bar differential

0-1.25 bar to 0-20 bar differential

(static pressure limit: 140 bar)

For gauge and absolute ranges, please refer to STX 2000 series data sheets.

**Range Adjustment**

**Span setting:-**

The transmitter output can be adjusted to give a full 4-20mA output change for any span down to 6.25% of the Upper Range Limit (URL) e.g. a 320mbar device can be adjusted down to a minimum span of 20mbar (16:1 down-ranging).

**Zero offset:-**

The zero (4mA) output of the transmitter can be set anywhere within the range -100% to +93.75% of the URL e.g. a 320mbar device can be adjusted to give 4-20mA for -320 to 0mbar. At the minimum span of 20mbar, the same device could also be calibrated to give 4-20mA for 300 to 320mbar.

**Overpressure**

The device can withstand overpressure to the static pressure limit as stated above on either side without damage to the sensor.

**Pressure Containment**

Application of pressure beyond the static pressure limit and up to 350 bar (150 bar for 60mbar unit) may damage the sensor but process media leakage will not occur.

**Process Media**

Any liquid, gas or vapour compatible with 316 stainless steel with either Viton or PTFE process seals. Metallic wetted parts comply with NACE MR-01-75.

**Output Current**

4-20mA (2 wire configuration) linear or square root proportional to the calibrated pressure range, with HART® digital signal superimposed.

**Performance Specifications**

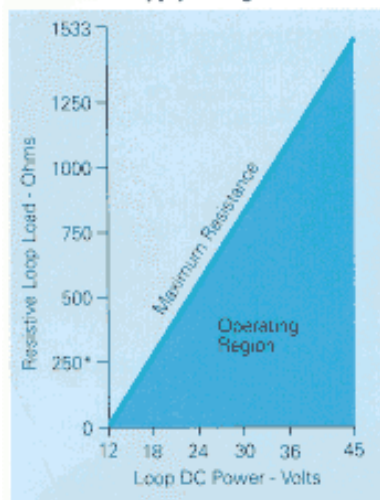
**Accuracy**

±0.1% of calibrated span including the combined effects of non-linearity, hysteresis and repeatability for spans between 1:1 and 10:1 URL.

For spans below 10:1

$$\pm [0.05 + (0.05 \times 0.1 \times \frac{URL}{Span})] \% \text{ of span}$$

**Transmitter Supply Voltage**



\* Note:-  
250 Ohms minimum loop resistance required for optional HART® communications. (The STX 2100 will function in standard analogue mode with less than 250 Ohms).

**Long Term Stability**

At standard reference conditions, the calibration will not change by more than 0.1% URL over 12 months.

**Operating Temperature Range**

**Ambient:-**  
-40° to +85°C  
(-20° to +80°C for LCD indicator)  
(-10° to +60°C for fluorinated oil filled transmitters)

**Process:-**  
-40° to +100°C  
(-20° to +80°C for fluorinated oil filled transmitters)

**Storage:-**  
-40° to +90°C

**Temperature Effects**

Zero shift: better than ±0.5% URL/55°C  
Total shift: better than ±1% URL/55°C

**Static Pressure Effect**

Zero shift (% URL):-  
60mbar range: maximum ±0.4%/32 bar  
All other ranges: maximum ±0.2%/100 bar  
*Note: Correctable by adjusting zero at line pressure*  
Span shift (% calibrated span):-  
60mbar range: maximum ±0.4%/32 bar  
All other ranges: maximum -0.5%/100 bar

**Overrange Effect**

Zero shift at maximum line pressure (% URL): ±0.4 %

**Supply Sensitivity**

Less than 0.005% of calibrated span per volt.

**Mounting Position Effect**

Zero shift less than 1.2mbar for a 10° tilt in any plane, correctable by adjusting zero. No effect on span.

**Failure Mode Alarm**

User selectable upscale or downscale drive or hold output under detected failure conditions.

**Turn-on time**

4 seconds.

**Damping**

Adjustable between 0 and 38.4 seconds.

**Hazardous Area Approvals**

Approved to International Standards for Intrinsic Safety and Flameproof Certification:-

**GENELEC Intrinsic Safety Certification:-**

EEx ia IIC T4 (Ta = 85°C)

EEx ia IIC T5 (Ta = 40°C)

**BASEEFA Flameproof Certification:-**

Ex ds II C T5 (Ta = 85°C)

Ex ds IIC T6 (Ta = 65°C)

**BASEEFA Type N (non-incendive) Certification:-**

Ex N IIC T4 (Ta = 85°C)

Ex N IIC T5 (Ta = 40°C)

**Safety**

EMC Emissions: EN50081-1

EMC Immunity: EN50082-1

Certification: CE marked

**Physical Specifications**

**Electrical Connections**  
The threaded electrical conduit connections can be specified as M20, 1/2 - 14 NPT or PG 13.5 female.

**Process Connections**

The process connections can be specified as 1/4 -18 NPT female or 1/2 -14 NPT female (via adaptors) on 54mm centres to DIN 19213.

**Electronics Housing**

Low copper aluminium alloy, with epoxy double coating.  
Environmental Protection: IP67, NEMA 4X.

**Bolt and Nut Fastenings**

Cr-Mo alloy or optional 304 stainless steel  
*Note: Static pressure rating is limited to 100 bar with 304 stainless steel bolts.*

**Fill fluid**

Silicon oil or optional fluorinated oil.

**Shipping Weight**

Standard Transmitter: 3.4kg approx.  
Add 800gms for LCD indicator, 500gms for mounting bracket.

**OPTIONS**

Integral digital indicator with 5 digital LCD  
Mounting bracket for 2" pipe in 304 stainless steel.  
*Please refer to ordering information overleaf.*

**ACCESSORIES**

HART® communication tools, remote diaphragm seals and manifold valves are also available.  
Please refer to separate datasheet.



# STX 2100 Series

## Smart/HART® Differential Pressure Transmitter



### ORDERING INFORMATION

Please state the following:

X21		Base Model Number	
Code	Diaphragm	Process Flanges	Fill Fluid
00	316L stainless steel	316 stainless steel	Silicone Oil
10	316L stainless steel	316 stainless steel	Fluorinated Oil
Code	Range		
01	0 - 3.75mbar	to 0 - 60mbar	
03	0 - 20mbar	to 0 - 320mbar	
06	0 - 81.25mbar	to 0 - 1.3 bar	
09	0 - 312.5mbar	to 0 - 5 bar	
13	0 - 1.25 bar	to 0 - 20 bar	
Code	Process Connection	Conduit Entry	
1	1/4 - 18 NPT	M20	
2	1/2 - 14 NPT (via adaptors)	M20	
3	1/4 - 18 NPT	1/2 - 14 NPT	
4	1/2 - 14 NPT (via adaptors)	1/2 - 14 NPT	
5	1/4 - 18 NPT	PG 13.5	
6	1/2 - 18 NPT (via adaptors)	PG 13.5	
Code	Sensor 'O' Ring		
A	Viton		
B	PTFE		
Code	Bolt/Nut Materials		
1	Cr/Mo alloy		
2	304 stainless steel		
Code	Approvals		
O	Safe Area		
I	Intrinsically Safe		
D	Flameproof		
N	Type N		
Code	Options		
O	None		
L	Digital Indicator, 0-100% Linear		
C	Digital Indicator, custom scale		
S	Digital Indicator, 0-100% sq. root scale		
B	Mounting bracket, 304 stainless steel		

### RELATED PRODUCTS

Druck manufactures a comprehensive range of pressure transducers, indicators, controllers and calibrators. The range of portable calibrators also covers temperature and electrical parameters.

Please refer to the manufacturer for further information and datasheets.



DPI610 Portable Pressure Calibrator in action.

### CALIBRATION STANDARDS

Instruments manufactured by Druck Limited are calibrated against precision pressure calibration equipment which is traceable to International Standards.

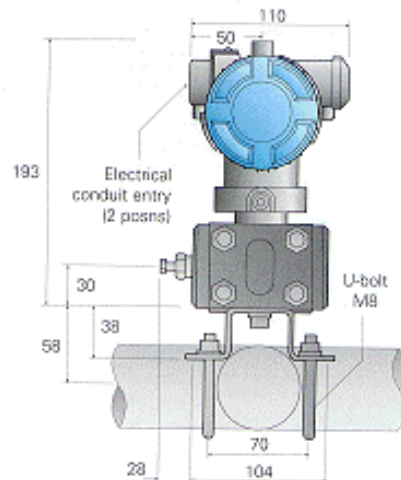
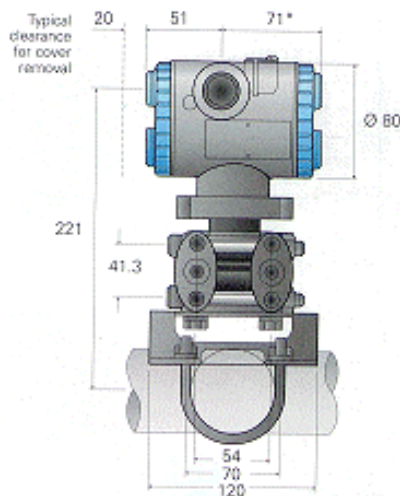
Continuing development sometimes necessitates specification changes without notice.

X2100 - 01 - 1 - A - 2 - I - LB Typical Model Number

### Installation

Drawings - dimensions in mm.

\*LCD indicator option: 98



Druck Limited  
 Fir Tree Lane, Groby  
 Leicester LE6 0FH England  
 Tel: +44 (0) 116 231 7100  
 Fax: +44(0) 116 231 7103  
 E-mail: sales@druck.com  
 Internet: www.druck.com

Agent

**SUNSTAR 商斯达实业集团**是集研发、生产、工程、销售、代理经销、技术咨询、信息服务等为一体的高科技企业，是专业高科技电子产品生产厂家，是具有 10 多年历史的专业电子元器件供应商，是中国最早和最大的仓储式连锁规模经营大型综合电子零部件代理分销商之一，是一家专业代理和分销世界各大品牌 IC 芯片和电子元器件的连锁经营综合性国际公司，专业经营进口、国产名厂名牌电子元件，型号、种类齐全。在香港、北京、深圳、上海、西安、成都等全国主要电子市场设有直属分公司和产品展示展销窗口门市部专卖店及代理分销商，已在全国范围内建成强大统一的供货和代理分销网络。我们专业代理经销、开发生产电子元器件、集成电路、传感器、微波光电元器件、工控机/DOC/DOM 电子盘、专用电路、单片机开发、MCU/DSP/ARM/FPGA 软件硬件、二极管、三极管、模块等，是您可靠的一站式现货配套供应商、方案提供商、部件功能模块开发配套商。商斯达实业公司拥有庞大的资料库，有数位毕业于著名高校——有中国电子工业摇篮之称的西安电子科技大学（西军电）并长期从事国防尖端科技研究的高级工程师为您精挑细选、量身订做各种高科技电子元器件，并解决各种技术问题。

更多产品请看本公司产品专用销售网站：

商斯达中国传感器科技信息网：<http://www.sensor-ic.com/>

商斯达工控安防网：<http://www.pc-ps.net/>

商斯达电子元器件网：<http://www.sunstare.com/>

商斯达微波光电产品网：[HTTP://www.rfoe.net/](http://www.rfoe.net/)

商斯达消费电子产品网：<http://www.icasic.com/>

商斯达实业科技产品网：<http://www.sunstars.cn/>

传感器销售热线：

地址：深圳市福田区福华路福庆街鸿图大厦 1602 室

电话：0755-83370250 83376489 83376549 83607652 83370251 82500323

传真：0755-83376182 (0) 13902971329 MSN: [SUNS8888@hotmail.com](mailto:SUNS8888@hotmail.com)

邮编：518033 E-mail:[szss20@163.com](mailto:szss20@163.com) QQ: 195847376

深圳赛格展销部：深圳华强北路赛格电子市场 2583 号 电话：0755-83665529 25059422

技术支持：0755-83394033 13501568376

欢迎索取免费详细资料、设计指南和光盘；产品凡多，未能尽录，欢迎来电查询。

北京分公司：北京海淀区知春路 132 号中发电子大厦 3097 号

TEL: 010-81159046 82615020 13501189838 FAX: 010-62543996

上海分公司：上海市北京东路 668 号上海赛格电子市场 2B35 号

TEL: 021-28311762 56703037 13701955389 FAX: 021-56703037

西安分公司：西安高新开发区 20 所(中国电子科技集团导航技术研究所)

西安劳动南路 88 号电子商城二楼 D23 号

TEL: 029-81022619 13072977981 FAX:029-88789382