

PTX 1400

Industrial Pressure Transmitter

- **±0.15% typical accuracy**
- **Wide choice of pressure ranges**
- **Absolute and gauge format**
- **Compatible with hostile media**
- **Low cost, ex-stock delivery**
- **CE marked**

The PTX 1400 Industrial Pressure Transmitter has been designed for use with aggressive pressure media found in many industrial and process applications.

The stainless steel isolation diaphragm and fully welded stainless steel pressure module ensures excellent media compatibility without compromising the performance from Druck's own micro-machined silicon pressure diaphragm.

Integral two-wire electronics provide conditioning of the signal from the silicon diaphragm to generate a 4 to 20 mA output proportional to applied pressure. In addition, the electronics provide power supply regulation, reverse polarity, over voltage and EMC protection. Integral non-interactive zero and span controls ensure system interchangeability and ease of calibration.

The PTX 1400 incorporates developments from aerospace applications and volume manufacturing advanced to achieve good performance with competitive pricing. Industry demands for rapid despatch are met by stock holding fully compensated and calibrated sensors in DIN pressure ranges.

This transmitter features a compact, rugged design with field proven electronics to ensure long term reliable measurement and low cost of ownership.



STANDARD SPECIFICATION

Operating Pressure Ranges

0 to 100, 250mbar gauge
 0 to 400, 600mbar, 1, 1.6, 2.5, 4, 6, 10, 16, 25, 40, 60 bar gauge and absolute.
 0 to 100, 160, 250, 400, 600 bar sealed gauge 800 to 1200mbar absolute (barometric).

-1 to 1.6 bar gauge
 -1 to 2.5 bar gauge
 -1 to 4 bar gauge

Overpressure

The rated pressure range can be exceeded by the following without degrading performance:
 1 bar for 100 and 250mbar ranges
 2 bar for 400 and 600mbar ranges
 2 x for other ranges up to 180 bar maximum

Pressure Media

Fluids compatible with a fully welded assembly of 316 stainless steel

Supply Voltage

9 to 28V d.c.

The minimum supply voltage (VMIN) that must appear across the transmitter terminals is 9V and is given by:-

$$VMIN = V_s - (0.02 \times RL)$$

Where V_s is supply voltage in volts
 RL is total loop resistance in ohms.

Output Current

4 to 20mA (two wire configuration).

Zero Offset and Span Setting

± 0.1 mA
 $\pm 5\%$ site adjustable by sealed, non-interacting potentiometers.

Long Term Stability

$\pm 0.2\%$ */annum typical.

Combined Non-linearity, Hysteresis and Repeatability

$\pm 0.15\%$ typical
 $\pm 0.25\%$ maximum
 Best Straight Line Definition.
 Each side considered separately.

Operating Temperature Range

-20 to +80°C.

Temperature Effects

$\pm 1.5\%$ Total Error Band typical
 $\pm 2\%$ Total Error Band Maximum
 Over -20° to 80°C
 For ranges below 400mbar these values will increase pro-rata with calibrated span.

* Percentage errors are expressed as % of span, i.e. the difference between the lowest and highest pressure except for the barometric range where span is defined as 1200mbar.

Weight

200 grams nominal

Pressure Connection

G1/4 female.

Electrical Connection

DIN 43650 plug with free mating socket supplied as standard.

Ingress Protection

IP65

Voltage Spike Protection

Units will withstand 600V spike test to ENV 50142 without damage, applied between excitation and case.

Safety

EMC emissions EN50081-1
 EMC Immunity EN50082-1
 Certification CE marked.

ACCESSORIES

The following accessories are available to order as separate items:-

Screw-in Male/Male Adaptor

G1/2 (Druck Part Number 190-039) supplied with bonded seal.

Vented Electrical Cable

To maintain an Ingress Protection rating IP65, gauge pressure ranges Druck vented electrical cable (Druck Part Number 192-004). Cable length to be specified on order (1m minimum)

ORDERING INFORMATION

Please state the following:

- (1) Type number PTX 1400
- (2) Operating pressure range (Gauge or absolute)
- (3) Accessories (if required).
 State Druck Part Number

Continuing development sometimes necessitates specification changes without notice.

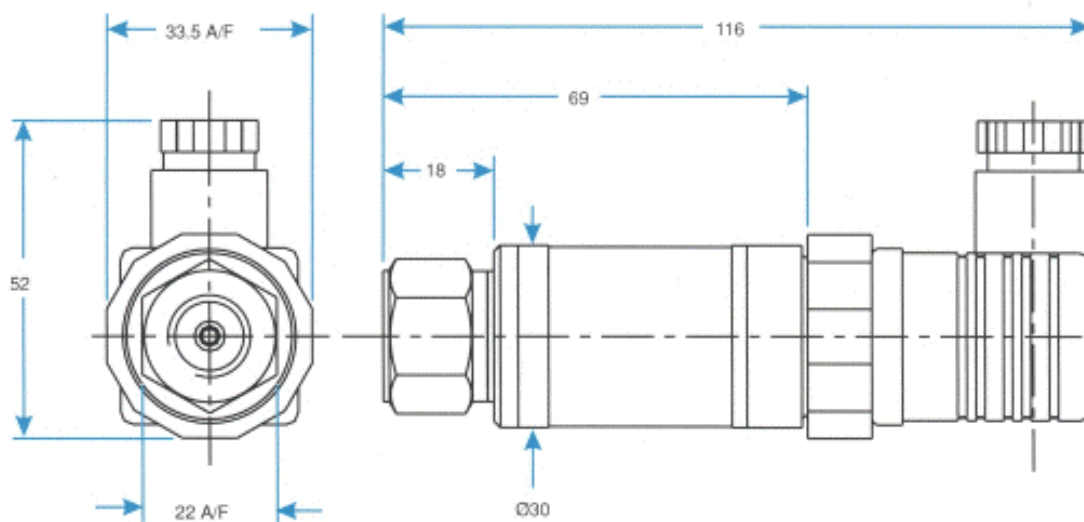
RELATED PRODUCTS

Druck manufactures a comprehensive range of pressure sensors, indicators, calibrators, controllers and deadweight testers. The range of portable calibrators also covers temperature and electrical parameters.

Please refer to manufacturer for further information and product datasheets.

INSTALLATION DRAWINGS

Dimensions: mm



Druck Limited

Fir Tree Lane, Groby
 Leicester LE6 0FH England
 Tel: + 44 (0) 116 231 7100
 Fax: + 44(0) 116 231 7103
 E-mail: sales@druck.com
 Internet: www.druck.com

Agent:

SUNSTAR 商斯达实业集团是集研发、生产、工程、销售、代理经销、技术咨询、信息服务等为一体的高科技企业，是专业高科技电子产品生产厂家，是具有 10 多年历史的专业电子元器件供应商，是中国最早和最大的仓储式连锁规模经营大型综合电子零部件代理分销商之一，是一家专业代理和分销世界各大品牌 IC 芯片和电子元器件的连锁经营综合性国际公司，专业经营进口、国产名厂名牌电子元件，型号、种类齐全。在香港、北京、深圳、上海、西安、成都等全国主要电子市场设有直属分公司和产品展示展销窗口门市部专卖店及代理分销商，已在全国范围内建成强大统一的供货和代理分销网络。我们专业代理经销、开发生产电子元器件、集成电路、传感器、微波光电元器件、工控机/DOC/DOM 电子盘、专用电路、单片机开发、MCU/DSP/ARM/FPGA 软件硬件、二极管、三极管、模块等，是您可靠的一站式现货配套供应商、方案提供商、部件功能模块开发配套商。商斯达实业公司拥有庞大的资料库，有数位毕业于著名高校——有中国电子工业摇篮之称的西安电子科技大学（西军电）并长期从事国防尖端科技研究的高级工程师为您精挑细选、量身订做各种高科技电子元器件，并解决各种技术问题。

更多产品请看本公司产品专用销售网站：

商斯达中国传感器科技信息网：<http://www.sensor-ic.com/>

商斯达工控安防网：<http://www.pc-ps.net/>

商斯达电子元器件网：<http://www.sunstare.com/>

商斯达微波光电产品网：[HTTP://www.rfoe.net/](http://www.rfoe.net/)

商斯达消费电子产品网：<http://www.icasic.com/>

商斯达实业科技产品网：<http://www.sunstars.cn/>

传感器销售热线：

地址：深圳市福田区福华路福庆街鸿图大厦 1602 室

电话：0755-83370250 83376489 83376549 83607652 83370251 82500323

传真：0755-83376182 (0) 13902971329 MSN: SUNS8888@hotmail.com

邮编：518033 E-mail:szss20@163.com QQ: 195847376

深圳赛格展销部：深圳华强北路赛格电子市场 2583 号 电话：0755-83665529 25059422

技术支持：0755-83394033 13501568376

欢迎索取免费详细资料、设计指南和光盘；产品凡多，未能尽录，欢迎来电查询。

北京分公司：北京海淀区知春路 132 号中发电子大厦 3097 号

TEL: 010-81159046 82615020 13501189838 FAX: 010-62543996

上海分公司：上海市北京东路 668 号上海赛格电子市场 2B35 号

TEL: 021-28311762 56703037 13701955389 FAX: 021-56703037

西安分公司：西安高新开发区 20 所(中国电子科技集团导航技术研究所)

西安劳动南路 88 号电子商城二楼 D23 号

TEL: 029-81022619 13072977981 FAX:029-88789382