

MINIATURE SERIES

High Performance Pressure Transducers

- High technology, micro machined silicon sensor
- Excellent linearity and hysteresis
- High overload capability
- Fast response
- Pore water
- Scanivalve operation



MINIATURE SERIES: High Performance Transducers

INTRODUCTION

Druck's experience with silicon diaphragm micro machining technology is considerable.

For more than 15 years a commitment to continuous research and development in this field using the very latest techniques and equipment has culminated in some remarkable achievements in pressure transducer design and performance.

The miniature series is a typical example of the benefits of such work. A range of high accuracy sensors complete with thermal compensation in a miniature package providing maximum performance with minimal size and weight.

The silicon diaphragm is intricately micro machined, and semi-conductor strain gauges are diffused into the substrate to become an atomic part of the diaphragm. Each gauge is connected to form a wheatstone bridge configuration, which





is subsequently terminated to offset and thermal compensation circuitry.

High signal outputs, excellent linearity, negligible hysteresis and good repeatability performance with considerable improvements in long term stability are the benefits of using Druck miniature pressure transducers.

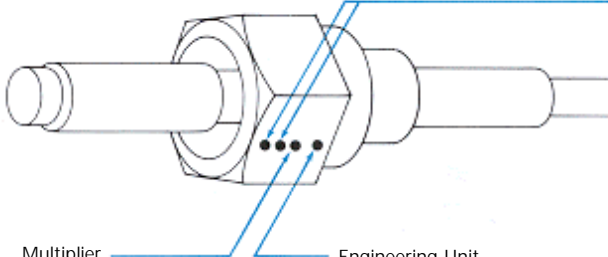
Your Specific Requirements

In addition to the sensors show, Druck have the engineering capability to design pressure transducers to specific individual requirements. By careful consideration of the configuration, environments, compatibility and other important performance characteristics, our engineering team can design, build and exhaustively test instruments for your needs.

Please contact our Sales Office for further information.

GENERAL PURPOSE		SCANIVALVE	PORE WATER
			
Scale: 2:1			
PDCR 200	PDCR 35	PDCR 42	PDCR 81

PDCR 200 Pressure units and range identification



Multiplier		Engineering Unit
Silver - x 0.01		White - psi
Gold - x 0.1		Red - bar
Black - x 1		Blue - inH ₂ O
Brown - x 10		Black - kPa
Red - x 100		
Orange - x 1000		
Yellow - x 10000		

Significant figures

Black	- 0
Brown	- 1
Red	- 2
Orange	- 3
Yellow	- 4
Green	- 5
Blue	- 6
Violet	- 7
Grey	- 8
White	- 9

Example
 = 100 psi

ORDERING INFORMATION

Please state the following:-

- (1) Type number
- (2) Pressure range
- (3) Gauge or differential
- (4) Temperature range
- (5) Pressure connection
- (6) Pressure media

For non-standard requirements please specify in detail.

Continuing development sometimes necessitates specification changes without notice.

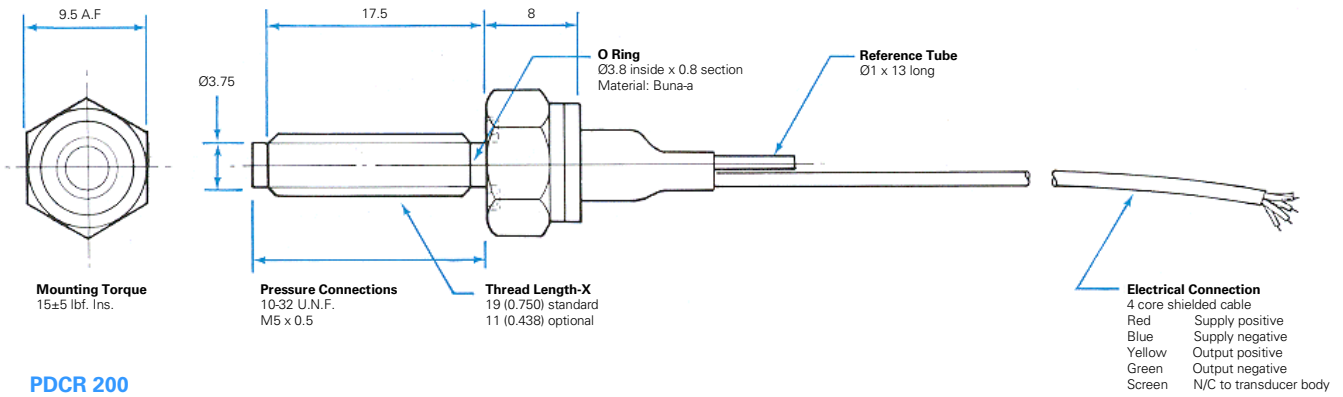
MINIATURE SERIES: Specification

TYPE	GENERAL PURPOSE		SCANIVALVE	PORE WATER
	PDCR 200	PDCR 35	PDCR 42	PDCR 81
FEATURES	FLUSH MOUNTING CHOICE OF MOUNTING THREADS HIGH OUTPUT	RUGGED CONSTRUCTION	HIGH ACCURACY HIGH OVERLOAD CAPABILITY	CERAMIC FILTER RUGGED CONSTRUCTION LONG TERM STABILITY
Standard Specification Operating pressure ranges (1)	1, 2, 3, 6, 15, 30 and 60 bar gauge or differential (2)	700 mbar, 1, 1.5, 2, 3.5, 5, 7, 10, 15, 20 and 35 bar gauge (2)	75 mbar, 175 mbar, 350 mbar, 700 mbar, 1, 3, 5, 7, 14, 20 and 35 bar gauge or differential (2)	75 mbar, 350 mbar, 1, 3, 7, 15 and 35 bar gauge
Overpressure (with negligible effect on calibration)	3 x for all ranges (3) (2 x for 1 and 2 bar range on reference side)	4 x for all ranges (3)	10 x for 75 and 175 mbar range (3) 6 x for 350 mbar range 4 x for 700 mbar range and above	20 x for 75 mbar range 10 x for 350 mbar range 5 x for 1 bar range 3 x for 3 bar range and above
Positive pressure media	Fluids compatible with silicon, titanium and epoxy adhesive (and ceramic porous plate for PDCR 81)			
Reference pressure media	Dry, non-conducting gases			
Transduction principle	Integrated silicon strain gauge bridge			
Excitation voltage	10 Volts 6mA nominal	10 Volts 5mA nominal	12 Volts 8mA nominal	5 Volts 6mA nominal (10 volts max.)
Output voltage (nominal) at stated excitation	150 mV for all ranges	100 mV for all ranges	15 mV for 75 mbar range, 25 mV for 175 mbar range, 50 mV for 350 mbar and 700 mbar range, 75 mV for 1 bar range and above	15 mV for 75 mbar range, 35 mV for 350 mbar range, 50 mV for 1 bar range, 75 mV for 3 bar range and above
Zero offset (4)	±15 mV maximum	±5 mV maximum	±3 mV maximum	±10 mV maximum
Span setting	±30% of nominal output	±53mV maximum (4)		±20% of nominal output
Output impedance (nominal)	1500 ohms	2000 ohms	1000 ohms	
Load impedance	Greater than 100 kohms for quoted performance			
Resolution	Infinite			
Combined non-linearity and hysteresis	±0.3% B.S.L.	±0.1% B.S.L.	±0.06% B.S.L. (5)	±0.2% B.S.L.
Operating temperature range	-20° to +120°C (6)	-20° to +80°C (6)	-40° to +80°C (6)	-20° to +120°C (6)
Temperature effects	±1.5% total error band 10° to 60°C (7)	±1.0% total error band 0° to 50°C (7)	Thermal zero shift ±0.02% F.S./°C (75 mbar range ±0.05% F.S./°C) Thermal sensitivity shift ±0.02% of reading/°C 10° to 40°C (7)	Thermal zero shift ±0.05% F.S./°C Thermal sensitivity shift ±0.2% of reading/°C (7) (8)
Natural frequency (mechanical)	75 kHz for 1 bar range increasing to 580 kHz for 60 bar range	56 kHz for 350 mbar range increasing to 360 kHz for 35 bar range		
Acceleration sensitivity	0.002% F.S./g for 1 bar decreasing to 0.005% F.S./g for 60 bar range	0.003% F.S./g for 350 mbar decreasing to 0.002% F.S./g for 35 bar range		0.005% F.S./g for 350 mbar decreasing to 0.003% F.S./g for 35 bar range
Mechanical shock	1000g for 1ms in each of three mutually perpendicular axis will not effect calibration			
Weight (nominal)	12 grams	12 grams	10 grams	30 grams with 5 metres cable
Electrical connection	1 metre shielded integral cable (9)		20 cm integral cable connects transducer and compensation package. Free socket supplied	5 metres integral Teflon vented cable

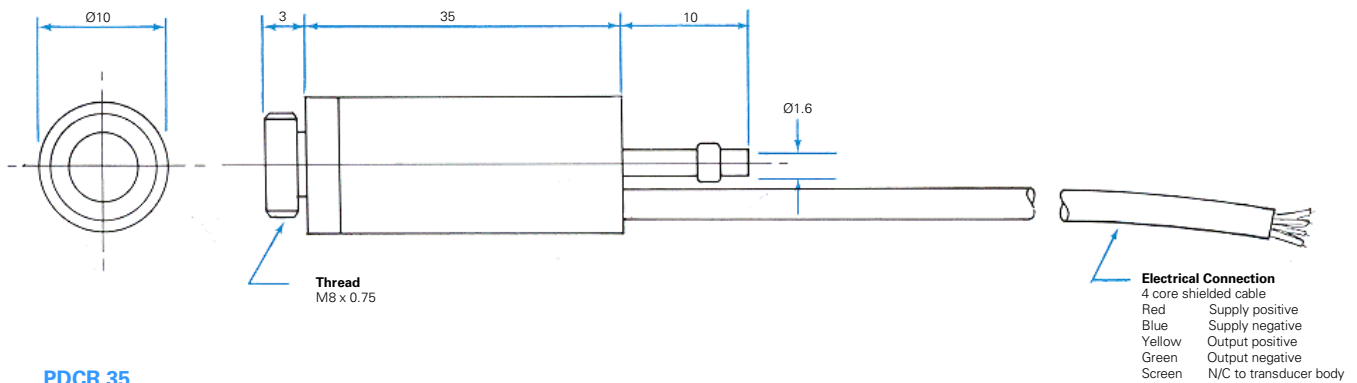
Key to table above

- (1) Other pressure units can be specified, e.g. psi, kPa, etc.
- (2) For absolute pressures a vacuum can be pumped on the reference side.
- (3) The transducers can be used in a bi-directional differential mode up to ±1 bar.
- (4) More accurate settings available.
- (5) ±0.04% B.S.L. available.
- (6) Temperature range can be extended.
- (7) For special applications it is possible to give improved temperature effects over a wider temperature range.
- (8) Constant current operation ±0.05% of reading/°C typical.
- (9) Longer lengths available.

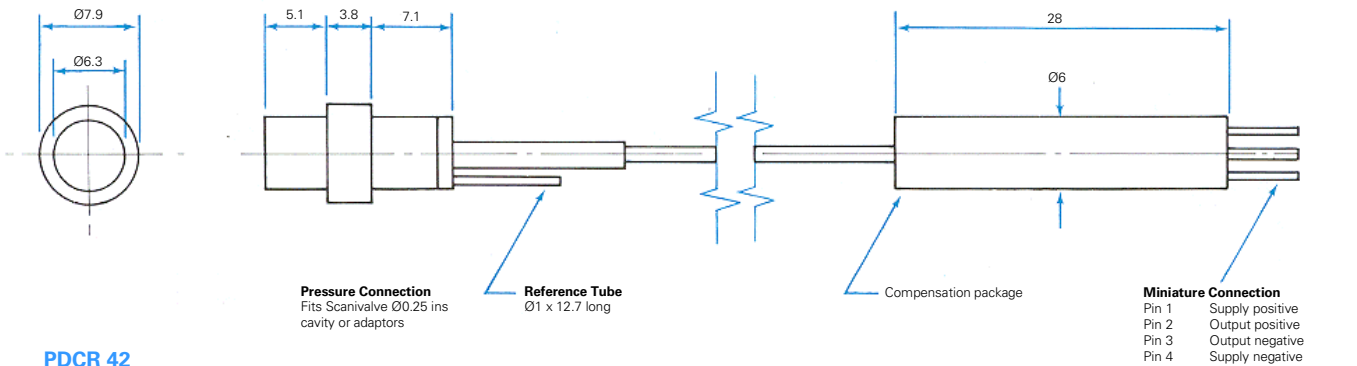
INSTALLATION DRAWINGS Dimensions: mm



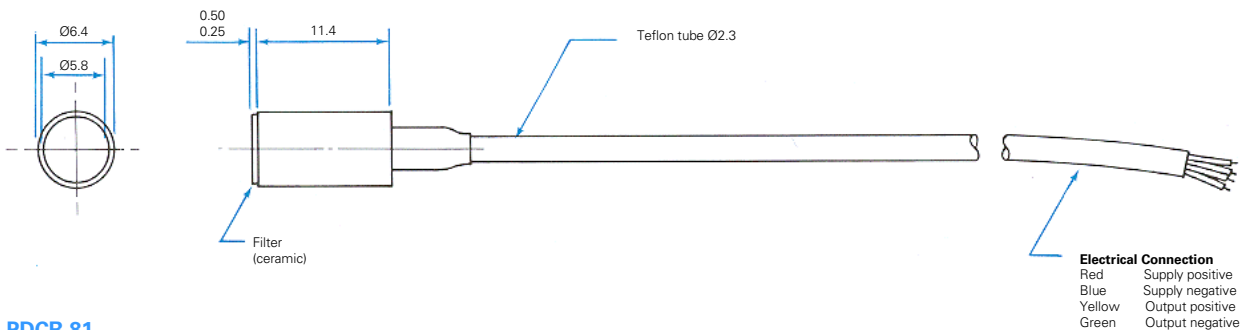
PDCR 200



PDCR 35



PDCR 42



PDCR 81

Druck Limited

Fir Tree Lane, Groby
Leicester LE6 0FH England
Tel: +44 (0) 116 231 7100
Fax: +44(0) 116 231 7103
E-mail: sales@druck.com
Internet: www.druck.com

Agent:

SUNSTAR 商斯达实业集团是集研发、生产、工程、销售、代理经销、技术咨询、信息服务等为一体的高科技企业，是专业高科技电子产品生产厂家，是具有 10 多年历史的专业电子元器件供应商，是中国最早和最大的仓储式连锁规模经营大型综合电子零部件代理分销商之一，是一家专业代理和分销世界各大品牌 IC 芯片和电子元器件的连锁经营综合性国际公司，专业经营进口、国产名厂名牌电子元件，型号、种类齐全。在香港、北京、深圳、上海、西安、成都等全国主要电子市场设有直属分公司和产品展示展销窗口门市部专卖店及代理分销商，已在全国范围内建成强大统一的供货和代理分销网络。我们专业代理经销、开发生产电子元器件、集成电路、传感器、微波光电元器件、工控机/DOC/DOM 电子盘、专用电路、单片机开发、MCU/DSP/ARM/FPGA 软件硬件、二极管、三极管、模块等，是您可靠的一站式现货配套供应商、方案提供商、部件功能模块开发配套商。商斯达实业公司拥有庞大的资料库，有数位毕业于著名高校——有中国电子工业摇篮之称的西安电子科技大学（西军电）并长期从事国防尖端科技研究的高级工程师为您精挑细选、量身订做各种高科技电子元器件，并解决各种技术问题。

更多产品请看本公司产品专用销售网站：

商斯达中国传感器科技信息网：<http://www.sensor-ic.com/>

商斯达工控安防网：<http://www.pc-ps.net/>

商斯达电子元器件网：<http://www.sunstare.com/>

商斯达微波光电产品网：[HTTP://www.rfoe.net/](http://www.rfoe.net/)

商斯达消费电子产品网：<http://www.icasic.com/>

商斯达实业科技产品网：<http://www.sunstars.cn/>

传感器销售热线：

地址：深圳市福田区福华路福庆街鸿图大厦 1602 室

电话：0755-83370250 83376489 83376549 83607652 83370251 82500323

传真：0755-83376182 (0) 13902971329 MSN: SUNS8888@hotmail.com

邮编：518033 E-mail:szss20@163.com QQ: 195847376

深圳赛格展销部：深圳华强北路赛格电子市场 2583 号 电话：0755-83665529 25059422

技术支持：0755-83394033 13501568376

欢迎索取免费详细资料、设计指南和光盘；产品凡多，未能尽录，欢迎来电查询。

北京分公司：北京海淀区知春路 132 号中发电子大厦 3097 号

TEL: 010-81159046 82615020 13501189838 FAX: 010-62543996

上海分公司：上海市北京东路 668 号上海赛格电子市场 2B35 号

TEL: 021-28311762 56703037 13701955389 FAX: 021-56703037

西安分公司：西安高新开发区 20 所(中国电子科技集团导航技术研究所)

西安劳动南路 88 号电子商城二楼 D23 号

TEL: 029-81022619 13072977981 FAX:029-88789382