

RECEIVER FRONT - ENDS

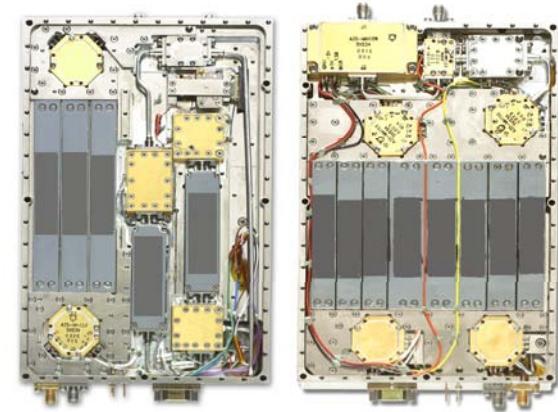
- DUAL CONVERSION
- SELECTABLE BANDWIDTH
- CHANNELIZED



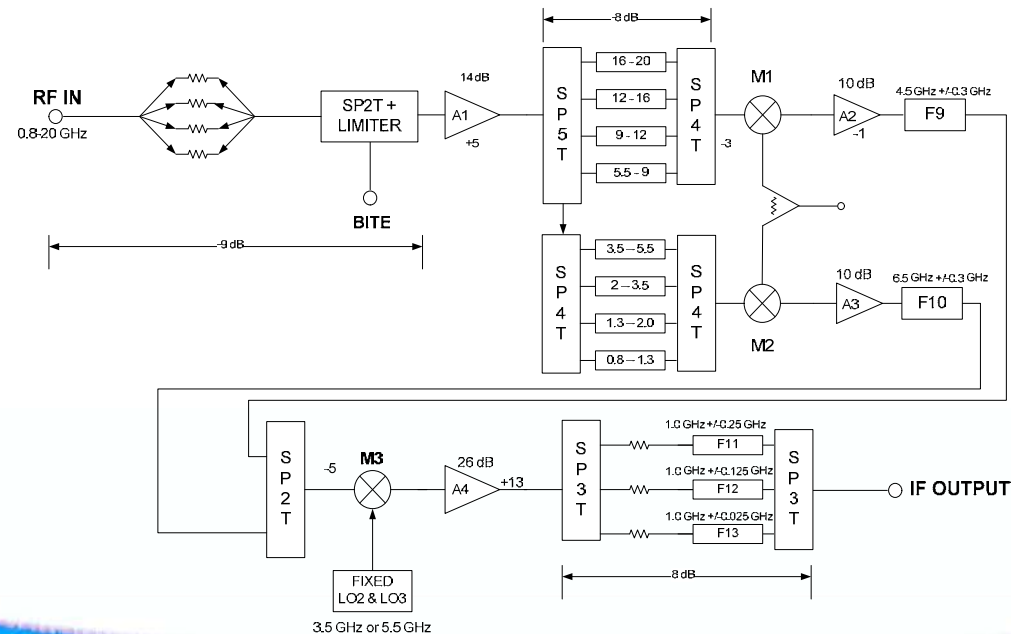
0.8-20.0 GHz Pre-Channelized Dual Conversion Selectable IF Band Width Miniature Receiver

KEY SPECIFICATIONS:

- 70 dB Instantaneous Range
- 100 dB Dynamic Range with Input Selectable Attenuators
- Preconversion Channels -65dBc; 15% from Edges
- Image Rejection
- Preconversion; Channel to Channel Isolation of 60 dB
- Intermediate IF (up converted)
- @ 6.5 GHz for Low Channels
- @ 4.5 GHz for High Channels (downconverted)
- Final IF @ 1.0 GHz
- IF B.W. ± 250 MHz, ± 125 MHz, ± 25 MHz



BLOCK DIAGRAM:

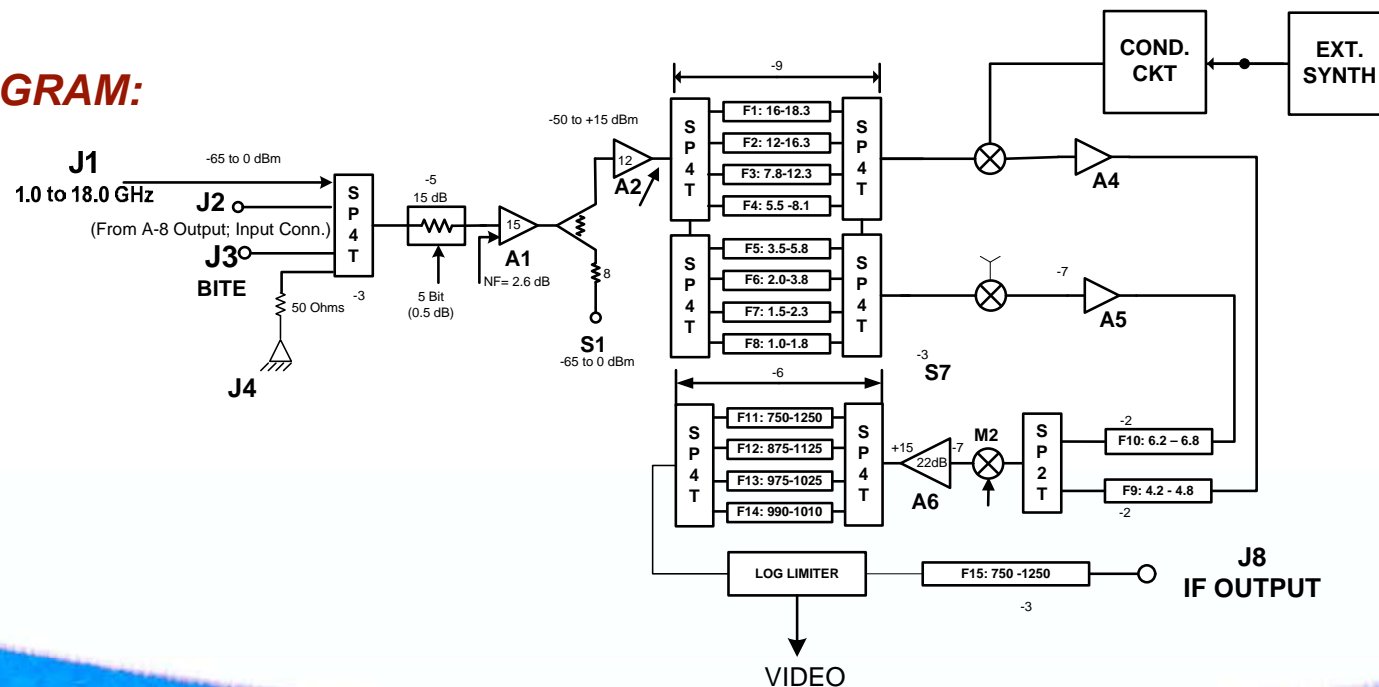


1.0-18.0 GHz DUAL CONVERSION RECEIVER MICROWAVE ASSEMBLY

KEY SPECIFICATIONS:

- 65 dB Instantaneous Range
- -65 dBm Channel Sensitivity
- Preconversion Channels: 8 each; -65 dBc;
- -65 dBc; 15% from Band Edges
- Image Rejection
- Preconversion: -60 dB Channel-Channel Isolation
- Intermediate IF; Upconverted and Downconverted at:
- 6.5 GHz for Low Channels
- 4.5 GHz for High Channels
- Final IF at 1.0 GHz
- Built-In 65 dB Log Video Out @1.0 Ghz
- Limited RF Outputs for External Processing
- Built-In 1-18 GHz Log Video Output

BLOCK DIAGRAM:

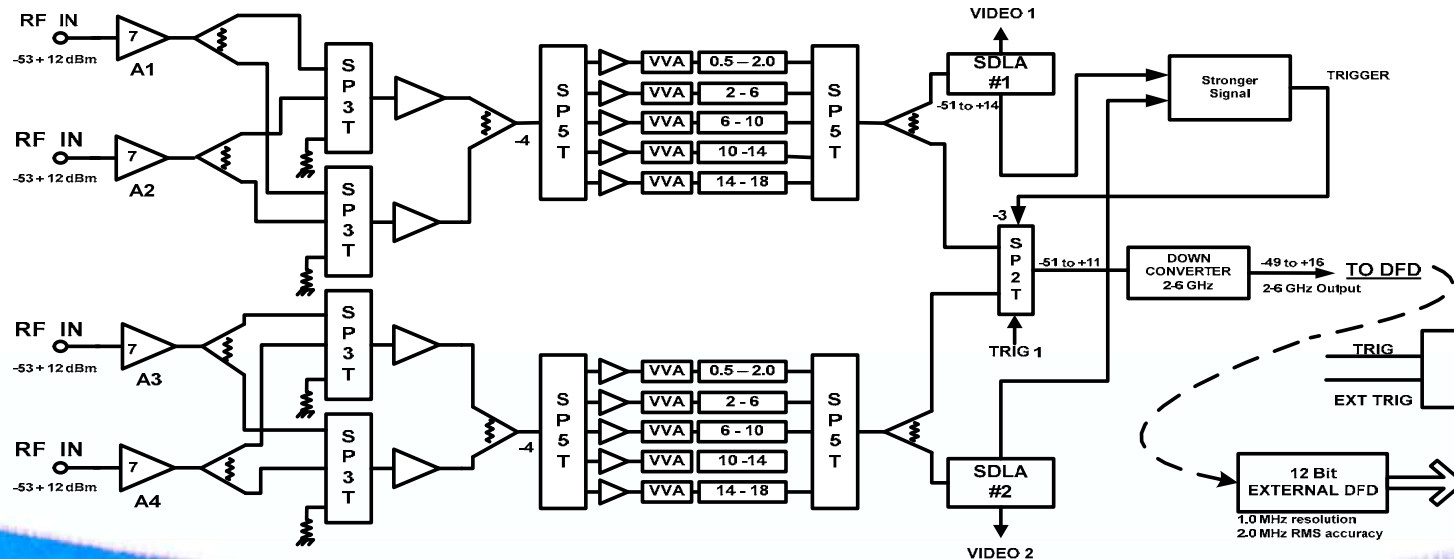


0.5 - 18 GHz WIDEBAND MICROWAVE ASSEMBLY

KEY SPECIFICATIONS:

- Input Frequency: 0.5 to 18.0 GHz
- Input Usable Dynamic Range: -65 dBm to 0 dB
- Input Channels: 4
- SP2T selected within: 25 ns
- SP2T Output downconverted to: 2 – 6 GHz
- Power Supply: +8V @ 2.5 amps, -8V @ 0.50 amps, 24 watts
- Size: 5.9" x 3.93" x 1.45"
- Weight: 1.2 Kg max

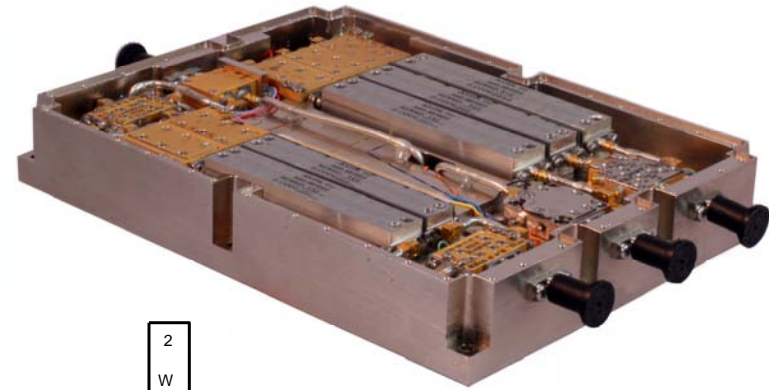
BLOCK DIAGRAM:



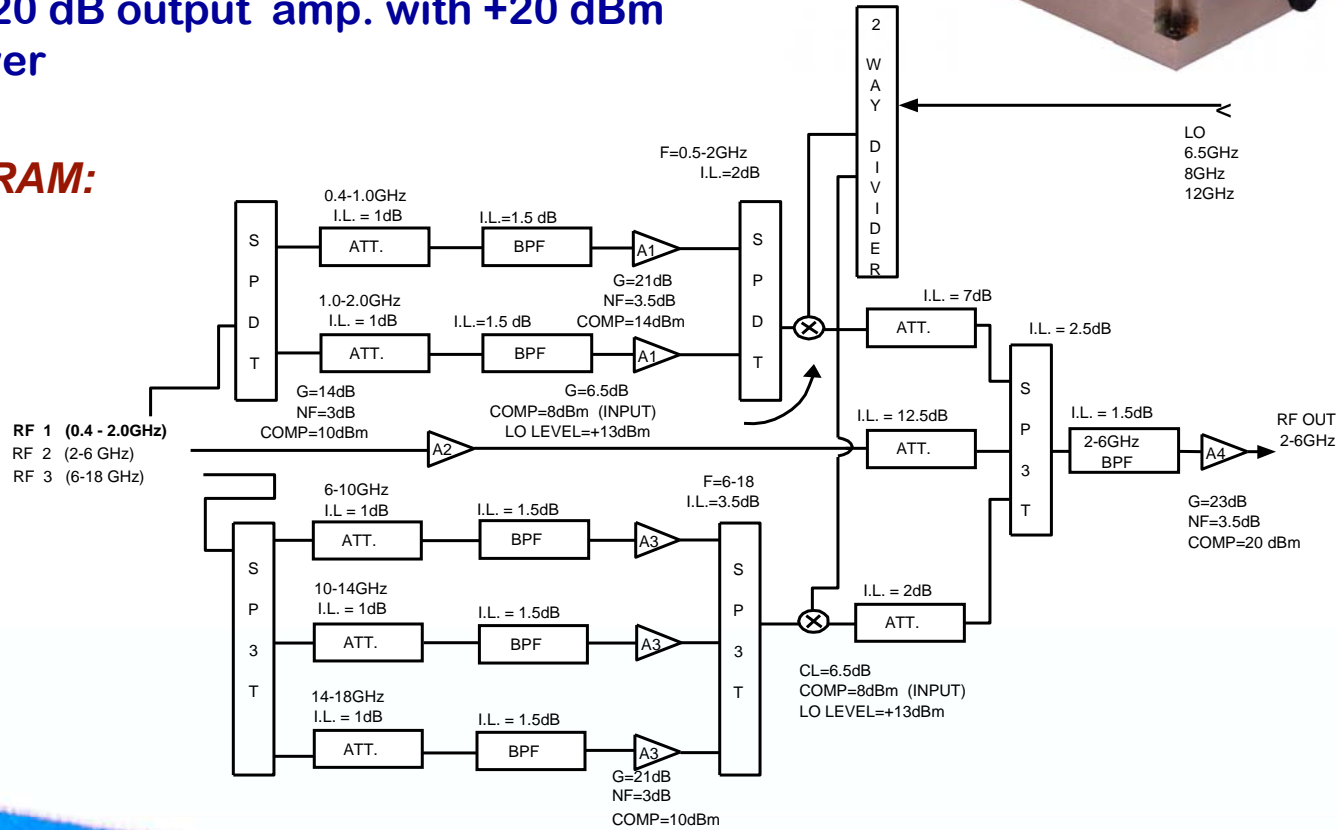
0.4-18.0 GHz Pre-Channelized Single Conversion, IF B.W. 2-6 GHz Miniature Receiver

KEY SPECIFICATIONS:

- Pre-Filtered to avoid harmonics
- Input N.F. 12.0 dB
- 2-6 GHz Output
- 0.4-2.0, 2-6, 6-18, 6-10, 10-14, 14-18
- Total Gain 20 dB output amp. with +20 dBm output power



BLOCK DIAGRAM:

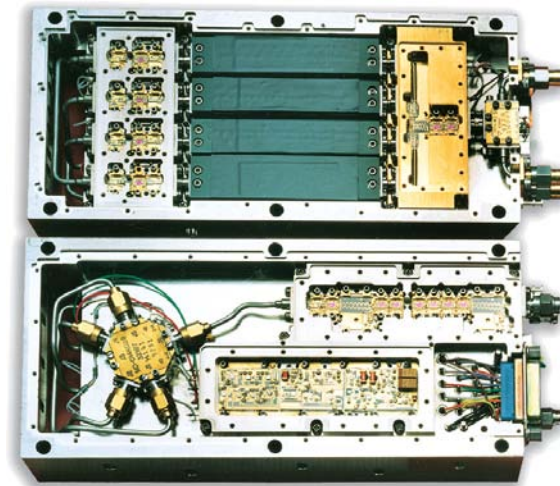


SUNSTAR微波光电 <http://www.rfoe.net/> TEL:0755-83396822 FAX:0755-83376182 E-MAIL: szss20@163.com

2.0-18.0 GHz Four Channel Channelized Receiver Front-End

KEY SPECIFICATIONS:

- RF Output for Frequency Measurement
- Channel to Channel Isolation of 65dB
- Filter Skirt -60dBC 15% From Channel Edge
- Built-in 70 dB DLVA for Amplitude Measurement
- T.S.S.: -72dBm
- Log Range: -65dBm to 0dBm
- Absolute Accuracy for each Channel ± 2.0 dB
- Matching between Channels: 2.0 dB P-P



BLOCK DIAGRAM:

