

10 MHZ to 40+ GHz Performance!!!!

Customer service response and RF engineering curiosity have allowed Piconics, Inc. to develop a coil inductor that is built around;

- ◆ Ultra-broad bandwidth
- ◆ Various load capacities
- ◆ Low insertion loss < -0.35db
- ◆ Single inductor covers boadband
- ◆ High L @ high freq
- ◆ SMT styles available
- ◆ No tuning required

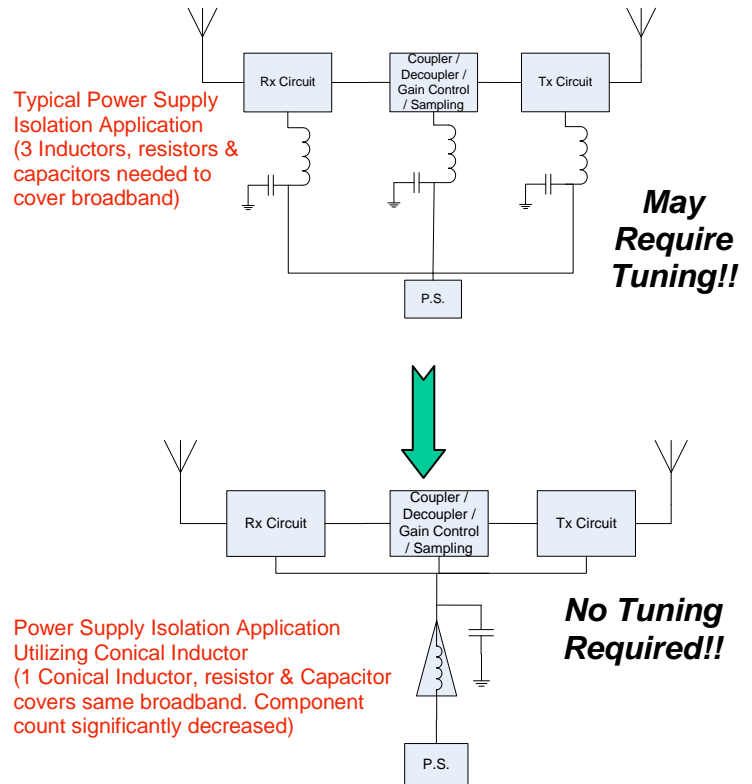
With REPEATABILITY at the forefront of our engineering.

Since 1963 Piconics has partnered with leading edge electrical engineers to advance in SPACE, MILITARY, SATELITE & IMAGING platforms.

Piconics, Inc. strives to be a leader in the inductor marketplace by listening first; to what the engineering application needs are, then offering either a standard PN or customizing an inductor to meet the demand.

If repeatability during prototyping and production are of importance, give Piconics Inc. a chance to be your partner.

Conical Inductor Advantage



Note: Other sub-assembly applications include, but not limited to; Oscillators, Fr. Multipliers, Bias Networks, Switches Amplifiers, Fiber Optic Transmitter Receiver Circuits...

RoHs Compliant

ISO 9001:2008 Certified

Attention:

Please see reverse for performance characteristics and mounting options.



P: 978-649-7501
SUNSTAR射频通信 <http://www.rfoc.net/>
F: 978-649-9048



www.piconics.com

26 Cummings Rd, Tyngsboro, MA 01879

Email: sales@piconics.com

Conical Inductor Specifications

Part Number	L (uH) @10 MHz	Current Max ma	FR. Range GHz	DCR Ohms	Configuration Available
CC10T47K240G5	0.070	340	.010-40+	0.389	FL
CC19T40K240G	0.022	700	.010-30	0.180	FL/SMT
CC21T36K240G5	0.425	1000	.010-36	0.140	FL/SMT
CC21T36K240G100	0.425	1000	.010-36	0.135	FL/SMT
CC25T30K240G5	0.825	2500	.010-6	0.280	FL
CC25T47K240G5	0.250	230	.010-40+	0.800	FL
CC25T47K240G100	0.250	200	.010-40+	0.910	FL
CC31T30K240G5	1.350	2250	.010-5	0.300	FL
CC45T44K240G5	1.08	250	.010-36	0.950	FL
CC45T47K240G5	0.840	160	.010-40+	1.600	FL/SMT
CC45T47K240G100	0.840	140	.010-40+	1.840	FL/SMT
CC50T36K240G5	2.75	700	.010-18	0.670	FL
CC50T40K240G5	1.65	400	.010-25	0.625	FL/SMT
CC50T44K240G5	2.35	220	.010-20	1.600	FL
CC50T44K240G100	2.35	200	.010-20	1.800	FL
CC75T36K240G5	6.93	650	.010-13	0.850	FL
CC75T36K240G100	6.93	600	.010-13	0.840	FL
CC75T38K240G5	6.35	440	.010-13	1.080	FL/SMT
CC82T44K240G5	6.7	180	.010-15	2.830	FL
CC110T47K240G5	8	100	.010-40+	6.550	FL/SMT
CC110T47K240G100	8	100	.010-40+	7.270	FL/SMT

*Please note that FL abbreviates Flying Lead and SMT abbreviates Surface Mountable.

**Add -C to part number for SMT version

S-Parameter Data Available Check Out Our Website !!!

<p>Packaging Options:</p> <ul style="list-style-type: none"> ➤ Waffle Packs ➤ Tape and Reel ➤ Gel Packs ➤ Pill Capsules 	<p>About the Leads...</p> <ul style="list-style-type: none"> -Precision insulation stripping allows for leadless mount -5 micro-inch gold plate standard finish -Selective plating of gold or tin-lead to 100 micro-in available -Typical lead length of .150 in.
<p>Quality:</p> <p>Piconics conical inductors pass a rigorous 100% inspection process in order to deliver quality and consistency part to part & lot to lot</p>	<div style="display: flex; justify-content: space-around; align-items: center;"> <div style="text-align: center;">  <p>Flying Lead Version</p> </div> <div style="text-align: center;">  <p>SMT Version</p> </div> </div> <p style="text-align: center; color: red; font-weight: bold; font-size: 1.2em;">Contact Sales For Custom Conical Solutions</p>

