



### Clock Oscillators, Miniature SMD packages

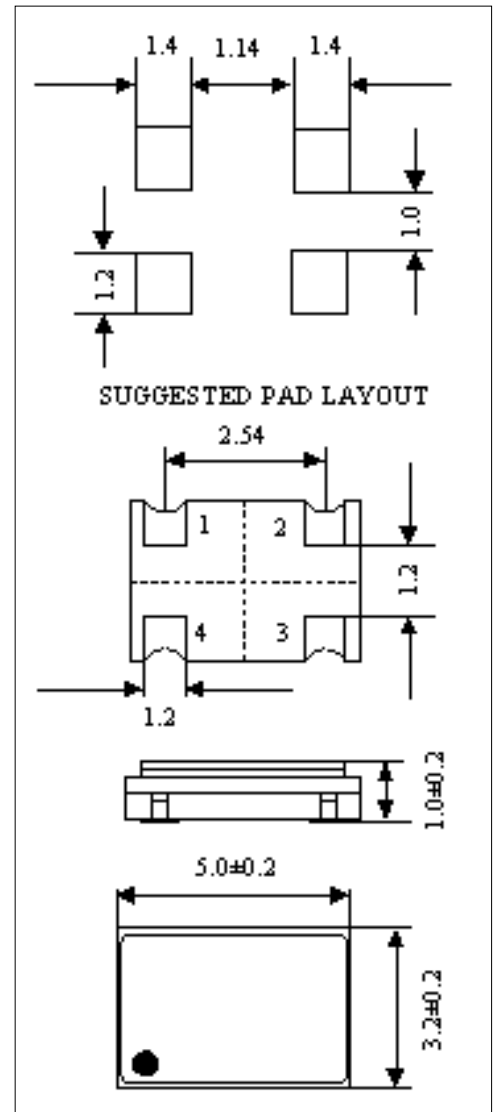
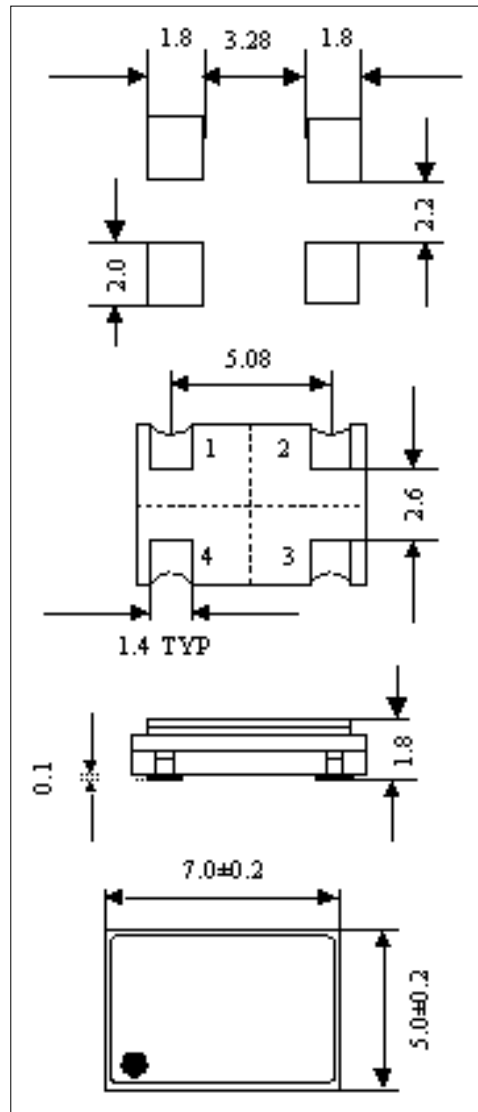
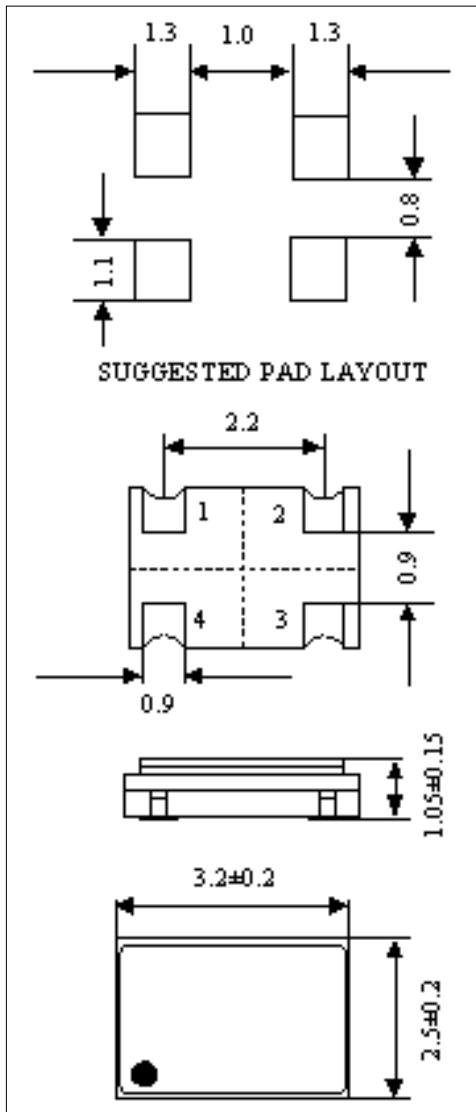
MODEL	C61	C62	C64	C67	C95
FREQ' RANGE	1.80 to 100.00 MHz		1.00 to 155.52 MHz		2.50 to 75.00 MHz
TOTAL FREQ' STABILITY	Standard: $\pm 50$ PPM, Optional: $\pm 25$ PPM Parameters included: Operating temp. Range, Calibration at +25°C, Supply & Load Variations, Aging				
OPERATING TEMP' RANGE	See "How - To - Order" instructions				
OUTPUT WAVEFORM	HCMOS Compatible High Level (VOH): 0.9Vcc Min. Low Level (VOL): 0.1Vcc Max. Symmetry: (50 $\pm$ 10%) or (50 $\pm$ 5%) Rise/ fall time: 5nSec Typ.				
LOAD	15pF Typ.				
SUPPLY VOLTAGE	3.3 Vdc	5.0 Vdc	3.3 Vdc	3.3 Vdc or 5.0 Vdc	
SUPPLY CURRENT	25 mA Max. for F < 25.00 MHz 35 mA Max. for frequencies between 25.00 MHz to 50.00 MHz 45 mA Max. for F > 50.000MHz				
ENABLE / DISABLE	Enable: High (above 2.2V) or open Disable (High Impedance): Low (below 0.8V)				
SMD PACKAGE	3.2 X 2.5 X 1.0 mm.	7.0 X 5.0 X 1.8 mm.	5.0 X 3.2 X 1.5 mm.		
	500 pc s min. Tape & Reel				

<b>Environmental Conditions</b>	
<b>SHOCK</b>	IEC 68-2-27 (Test Ea) 30G, 18 mSec, Half Sine
<b>VIBRATION</b>	IEC 68-2-6 (Test Fc), 0.35mm, 5G, 10-2000Hz, 6 cycles/axis (Fig.2 Table V)
<b>THERMAL SHOCK</b>	IEC 68-2-14 (Test Na), 30 min. in each extreme temperature
<b>SOLDERING HEAT</b>	IEC 68-2-20A (230°C $\pm$ 5°C 10 $\pm$ 1)



**Tect Electronics**

The authorized distributor in the Greater China Region



Pin	Function
1	E/D
2	GND
3	Output
4	Vcc

Dimensions in mm.

[Clock Oscillators, Miniature SMD packages](#)

[to top](#)



The authorized distributor in the Greater China Region