

FEATURES

3.0V Operate

Very Low Power Consumption

4-digit LCD Clock (Hour / Minute)

Date Display (Month / Day / Week)

Soldering Option to Change Five Country Language for Week Mode
(English, German, French, Italian & Spain)

Alarm Clock Function (Hour / Minute)

Measuring Temperature Range : -50 ~ +70 degC

Measuring Humidity Range: 20 ~ 99 %

Display Resolution : 0.1 degC , 1 %

Accuracy : +/- 1 degC , +/- 5%

degC /degF Switchable

SNOOZE FUNCTION (5 MINUTE)

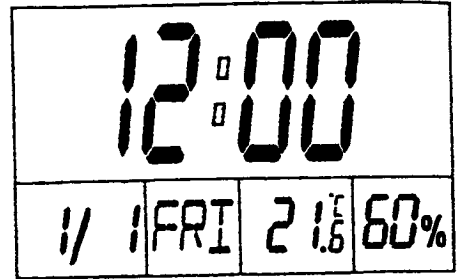
BLOCK LIGHT (3 SEC)

Key- Tone

SS0207 KEYS OPERATIONS

Power On

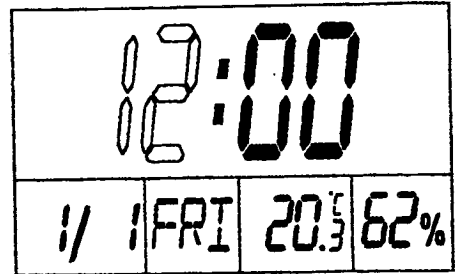
Date & Time mode
Auto calendar from 1999 to 2048



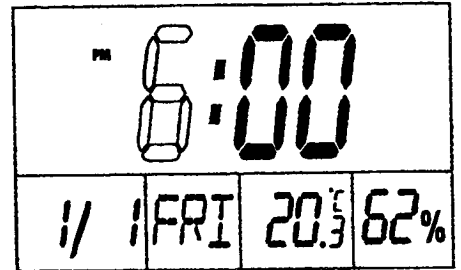
CLK / CAL SET

Press holding the key 2 sec
setting Date & Time Mode

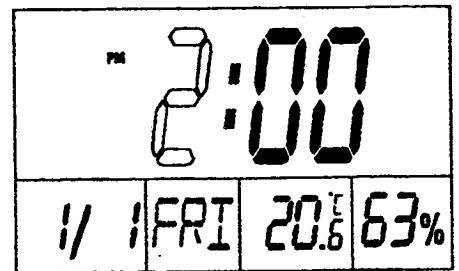
The setting sequence will be (Hour)-(Minute)-(Year)
-(Month)-(Date)-(Return to normal display mode)
& the week function is auto changeable



ADV + / 12/24HR



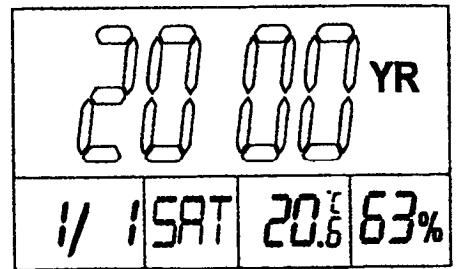
BACK - / °C/°F



CLK / CAL SET

CLK / CAL SET

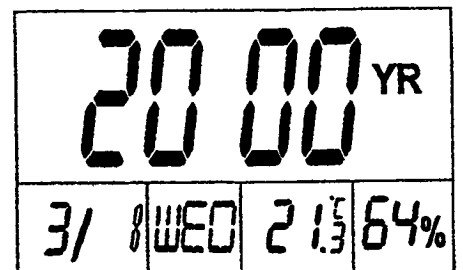
ADV + / 12/24HR



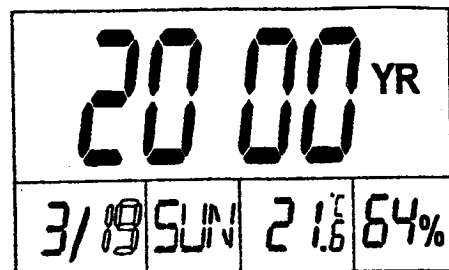
CLK / CAL SET

ADV + / 12/24HR

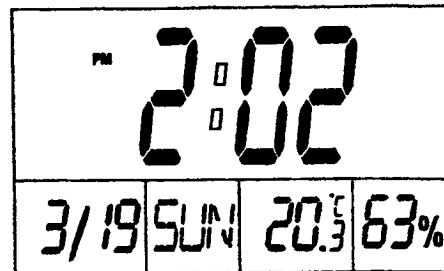
CLK / CAL SET



ADV + / 12/24HR



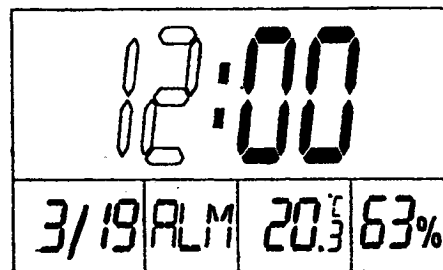
CLK / CAL SET



ALARM SET

Press holding the key 2 sec setting Alarm Time Mode

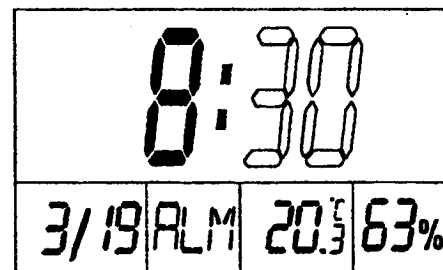
The setting sequence will be (Hour)-(Minute)-
(Return to normal time & date mode)



ADV + / 12/24HR

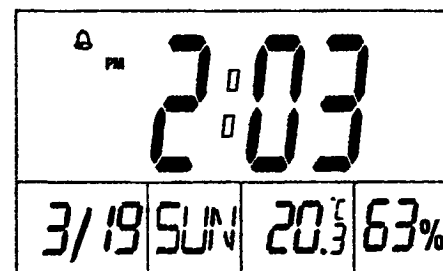
ALARM SET

ADV + / 12/24HR



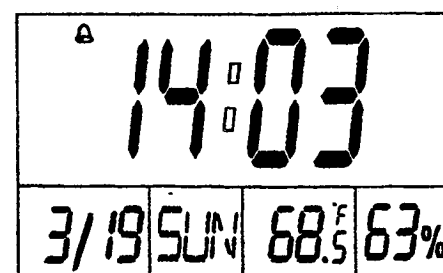
ALARM SET

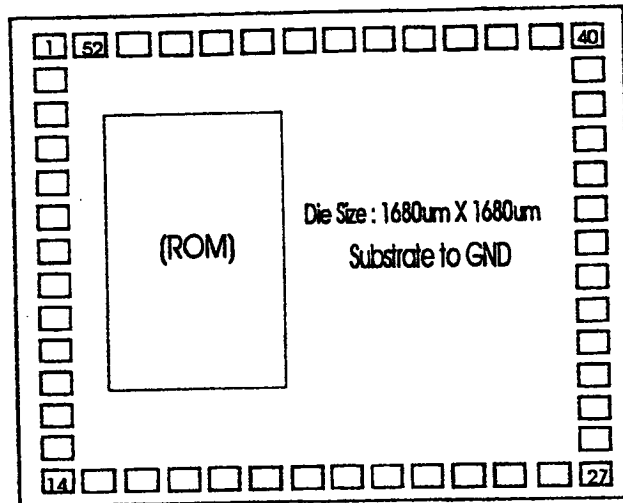
ALM ON/OFF



ADV + / 12/24HR

BACK - / °C/°F

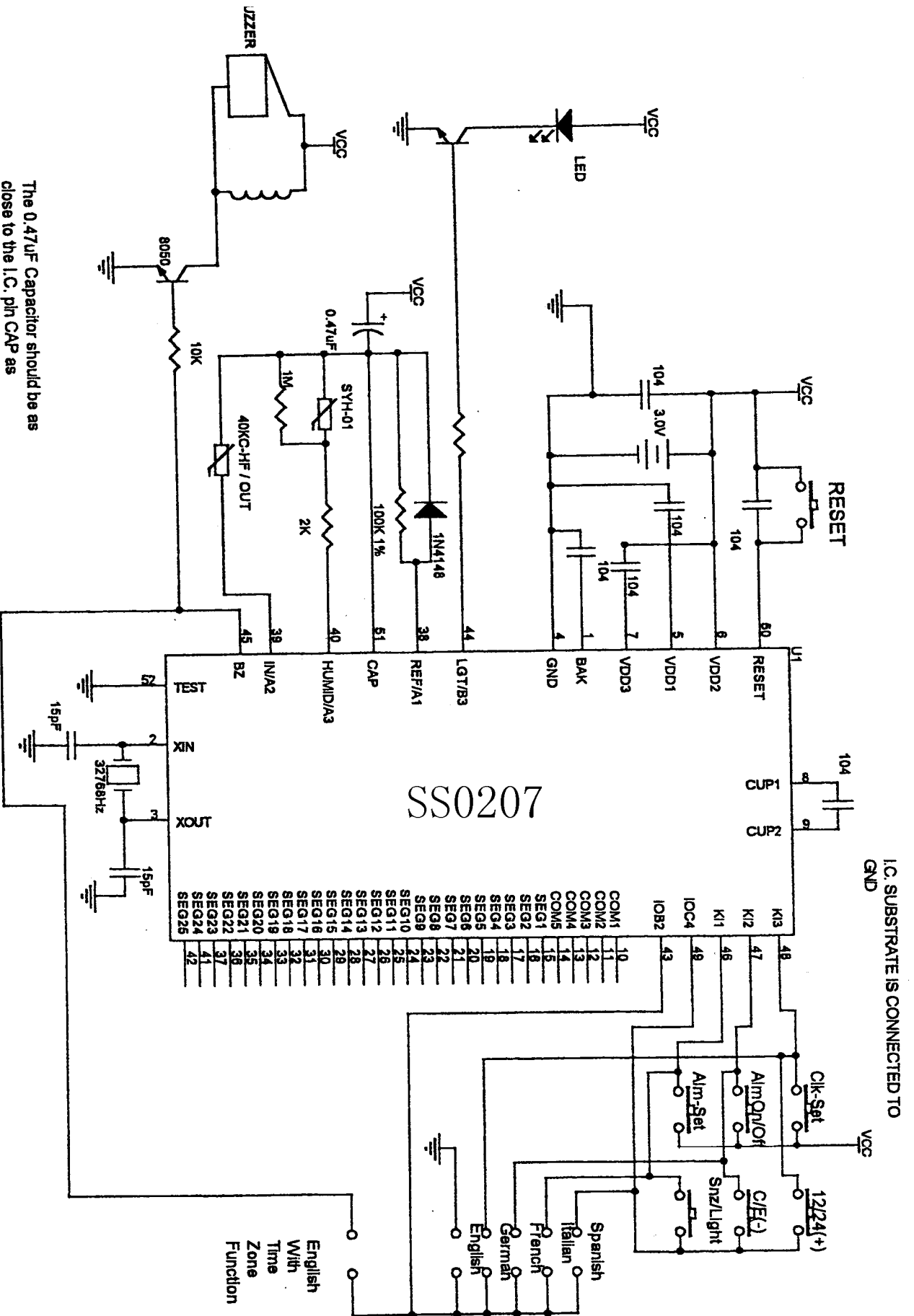




PIN ASSIGNMENT

NO	Name	X	Y	NO	Name	X	Y
1	BAK	77.5	1602.5	27	SEG13	1602.5	77.5
2	XIN	77.5	1472.5	28	SEG14	1602.5	207.5
3	XOUT	77.5	1357.5	29	SEG15	1602.5	322.5
4	GND	77.5	1242.5	30	SEG16	1602.5	437.5
5	VDD1	77.5	1127.5	31	SEG17	1602.5	552.5
6	VDD2	77.5	1012.5	32	SEG18	1602.5	667.5
7	VDD3	77.5	897.5	33	SEG19	1602.5	782.5
8	CUP1	77.5	782.5	34	SEG20	1602.5	897.5
9	CUP2	77.5	667.5	35	SEG21	1602.5	1012.5
10	COM1	77.5	552.5	36	SEG22	1602.5	1127.5
11	COM2	77.5	437.5	37	SEG23	1602.5	1242.5
12	COM3	77.5	322.5	38	REF/A1	1602.5	1357.5
13	COM4	77.5	207.5	39	IN/A2	1602.5	1472.5
14	COM5	77.5	77.5	40	HUMID/A3	1602.5	1602.5
15	SEG1	207.5	77.5	41	SEG24	1472.5	1602.5
16	SEG2	322.5	77.5	42	SEG25	1357.5	1602.5
17	SEG3	437.5	77.5	43	IOB2	1242.5	1602.5
18	SEG4	552.5	77.5	44	LGT/B3	1127.5	1602.5
19	SEG5	667.5	77.5	45	BZ	1012.5	1602.5
20	SEG6	782.5	77.5	46	KI1	897.5	1602.5
21	SEG7	897.5	77.5	47	KI2	782.5	1602.5
22	SEG8	1012.5	77.5	48	KI3	667.5	1602.5
23	SEG9	1127.5	77.5	49	IOC4	552.5	1602.5
24	SEG10	1242.5	77.5	50	RESET	437.5	1602.5
25	SEG11	1357.5	77.5	51	CAP	322.5	1602.5
26	SEG12	1472.5	77.5	52	TEST	207.5	1602.5

SS0207



The 0.47uF Capacitor should be as close to the I.C. pin CAP as possible.

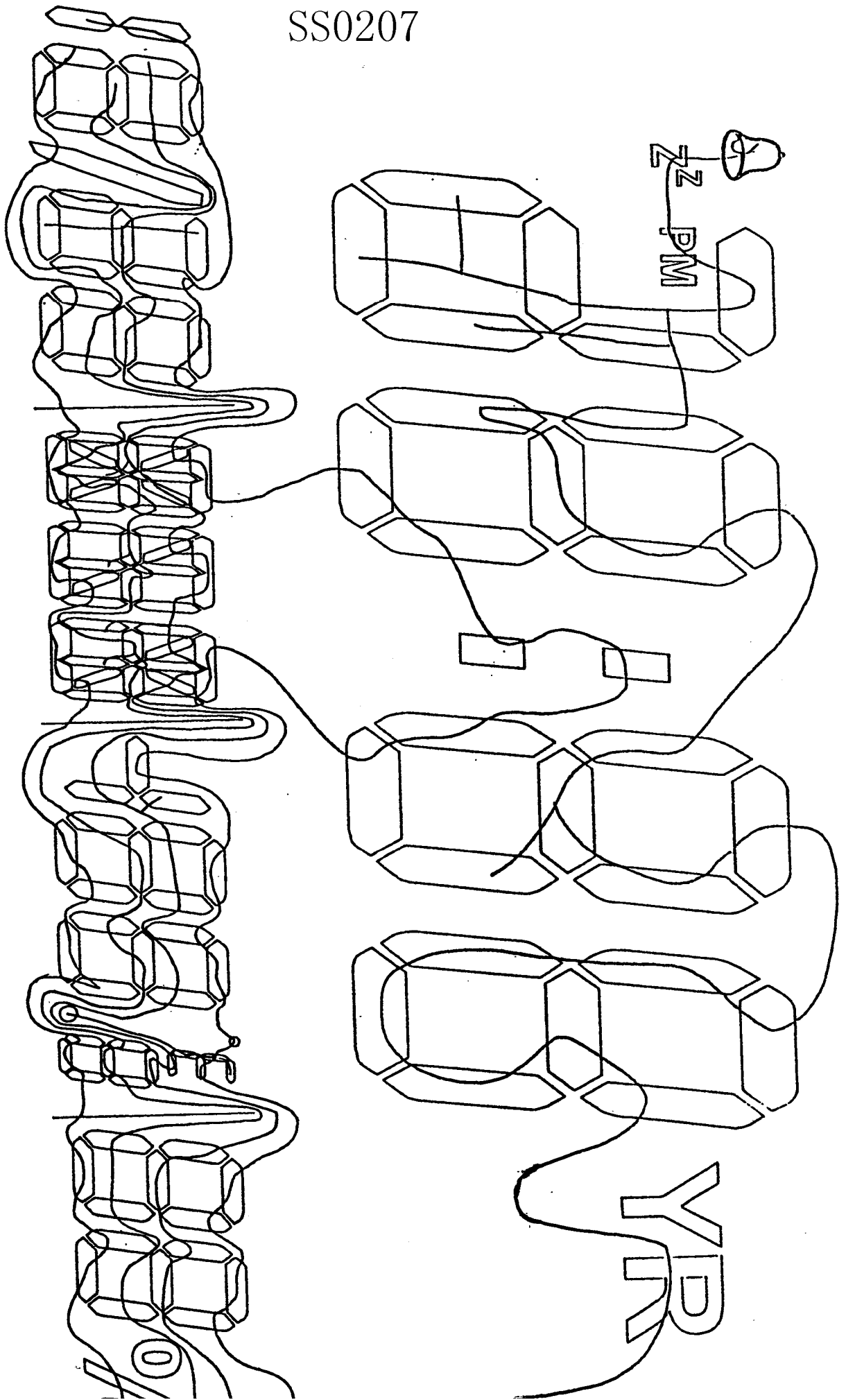
I.C. SUBSTRATE IS CONNECTED TO GND

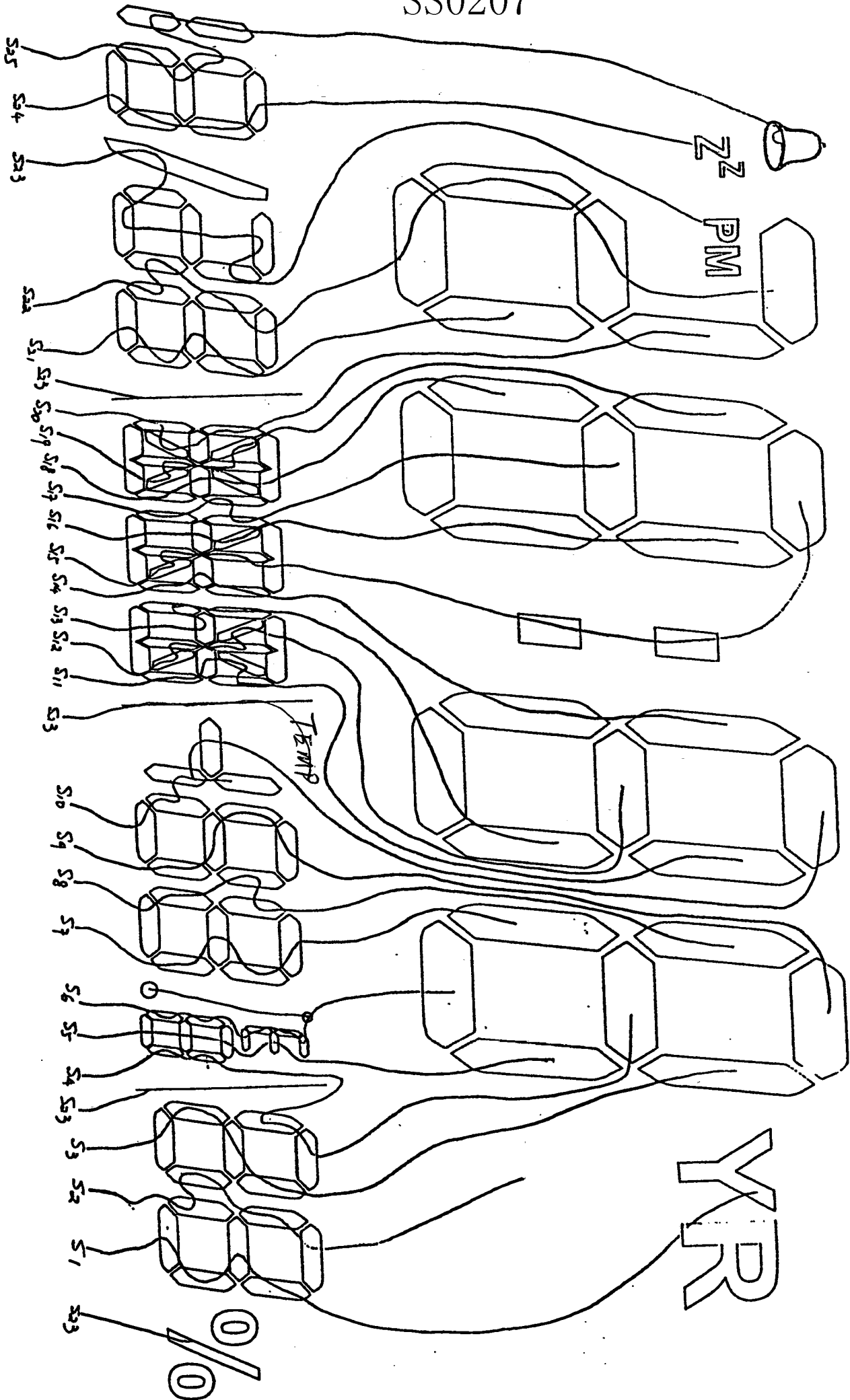
VCC

12/24(+)

Spanish
Italian
French
German
English

English
With
Time
Zone
Function





欢迎索取免费详细资料、设计选型指南和光盘、样品；产品繁多未能尽录，欢迎来电查询。

[中国传感器科技信息网：HTTP://WWW.SENSOR-IC.COM/](http://WWW.SENSOR-IC.COM/)

[工控安防网：HTTP://WWW.PC-PS.NET/](http://WWW.PC-PS.NET/)

[消费电子专用电路网：HTTP://WWW.SUNSTARE.COM/](http://WWW.SUNSTARE.COM/)

E-MAIL：xjr5@163.com szss20@163.com

MSN：suns8888@hotmail.com

QQ：195847376

地址：深圳市福田区福华路福庆街鸿图大厦 1602 室

电话：0755-83376549 83376489 83387030 83387016

传真：0755-83376182 83338339 邮编：518033 手机：(0)13902971329

深圳展销部：深圳华强北路赛格电子市场 2583 号 TEL/FAX：
0755-83665529 25059422

北京分公司：北京海淀区知春路 132 号中发电子大厦 3097 号

TEL：010-81159046 82615020 13501189838 FAX：010-82613476

上海分公司：上海市北京东路 668 号上海赛格电子市场 2B35 号

TEL：021-28311762 56703037 13701955389 FAX：021-56703037

西安分公司：西安高新开发区 20 所(中国电子科技集团导航技术研究所)
西安劳动南路 88 号电子商城二楼 D23 号

TEL：029-81022619 13072977981 FAX:029-88789382

成都：TEL:(0)13717066236

技术支持：0755-83394033 13501568376