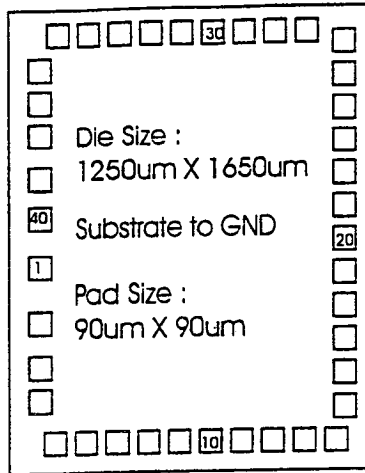


FEATURES

1.5v Operate

- Dual - Channel HUMID-THERMO Measurement
- Low Standby Current (typ. 2uA)
- Operating Current (typ. 25uA)
- Measuring Temperature Range : -50 ~ +70 degC
- Measuring Humidity Range: 20 ~ 99 %
- Display Resolution : 0.1 degC , 1 %
- Accuracy : +/- 1 degC , +/- 5%
- degC /degF Switchable
- MAX/MIN Temperature and Humidity records
- FREEZE ALERT
- Key- Tone

Humidity-Themo Clock



PIN ASSIGMENT

| NO | NAME | X | Y | NO | NAME | X | Y |
|----|------|---------|--------|----|---------|---------|---------|
| 1 | XIN | 72.5 | 712.85 | 21 | SEG8 | 1176.85 | 919.5 |
| 2 | XOUT | 72.5 | 451.35 | 22 | SEG9 | 1176.85 | 1041.5 |
| 3 | GND | 75 | 314.05 | 23 | SEG10 | 1176.85 | 1163.5 |
| 4 | VDD1 | 75 | 199.05 | 24 | SEG11 | 1176.85 | 1285.5 |
| 5 | VDD2 | 94.95 | 72.5 | 25 | SEG12 | 1176.85 | 1407.5 |
| 6 | VDD3 | 209.95 | 72.5 | 26 | REF | 1176.85 | 1534.2 |
| 7 | CUP1 | 324.95 | 72.5 | 27 | HUMID | 1056.1 | 1571.3 |
| 8 | CUP2 | 439.95 | 72.5 | 28 | IN | 936.1 | 1571.3 |
| 9 | COM1 | 554.95 | 72.5 | 29 | SEG13 | 816.1 | 1571.3 |
| 10 | COM2 | 669.95 | 72.5 | 30 | SEG14 | 696.1 | 1571.3 |
| 11 | COM3 | 784.95 | 72.5 | 31 | SEG15 | 576.1 | 1571.3 |
| 12 | N.C. | 899.95 | 72.5 | 32 | SEG16 | 456.1 | 1571.3 |
| 13 | N.C. | 1014.95 | 72.5 | 33 | BZ | 336.1 | 1571.3 |
| 14 | SEG1 | 1129.95 | 72.5 | 34 | SEG17 | 216.1 | 1571.3 |
| 15 | SEG2 | 1176.85 | 187.5 | 35 | MAX/MIN | 96.1 | 1571.3 |
| 16 | SEG3 | 1176.85 | 309.5 | 36 | ALERT | 72.5 | 1440.65 |
| 17 | SEG4 | 1176.85 | 431.5 | 37 | C/F | 72.5 | 1325.65 |
| 18 | SEG5 | 1176.85 | 553.5 | 38 | RESET | 72.5 | 1188.65 |
| 19 | SEG6 | 1176.85 | 675.5 | 39 | CAP | 72.5 | 1029.85 |
| 20 | SEG7 | 1176.85 | 797.5 | 40 | TEST | 72.5 | 871.65 |

NORMAL MODE

| |
|-------|
| 71% |
| 21.8C |

C/F
ADJ

| |
|-------|
| 71% |
| 71.2F |

C/F
ADJ

| |
|-------|
| 71% |
| 21.8C |

MAX/MIN

| |
|----------------------|
| ^{MAX} 72% |
| ^{MAX} 23.4C |

MAX/MIN

| |
|----------------------|
| _{MIN} 66% |
| _{MIN} 20.1C |

MAX/MIN

| |
|-------|
| 71% |
| 21.8C |

MAX/MIN

HOLDING 1 SECOND FOR RESET MAX AND MIN TO CURRENT TEMP and Humidity

| |
|-------|
| 71% |
| 21.8C |

ALERT

Freeze Alert On : Buzzer on 5 seconds and off 55 seconds when the Temp. between (-1C~+4C)

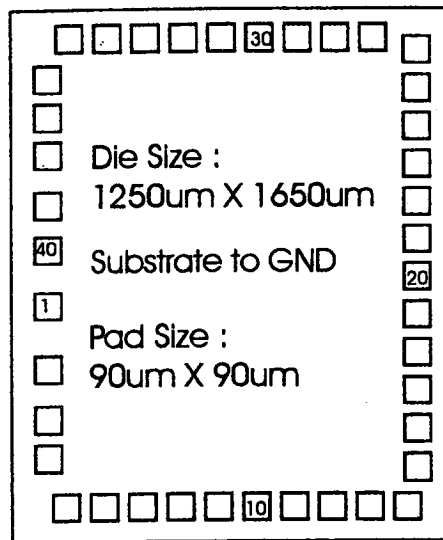
| |
|------------------------|
| 71% |
| ^{Alert} 21.8C |

ALERT

Alert Off

| |
|-------|
| 71% |
| 21.8C |

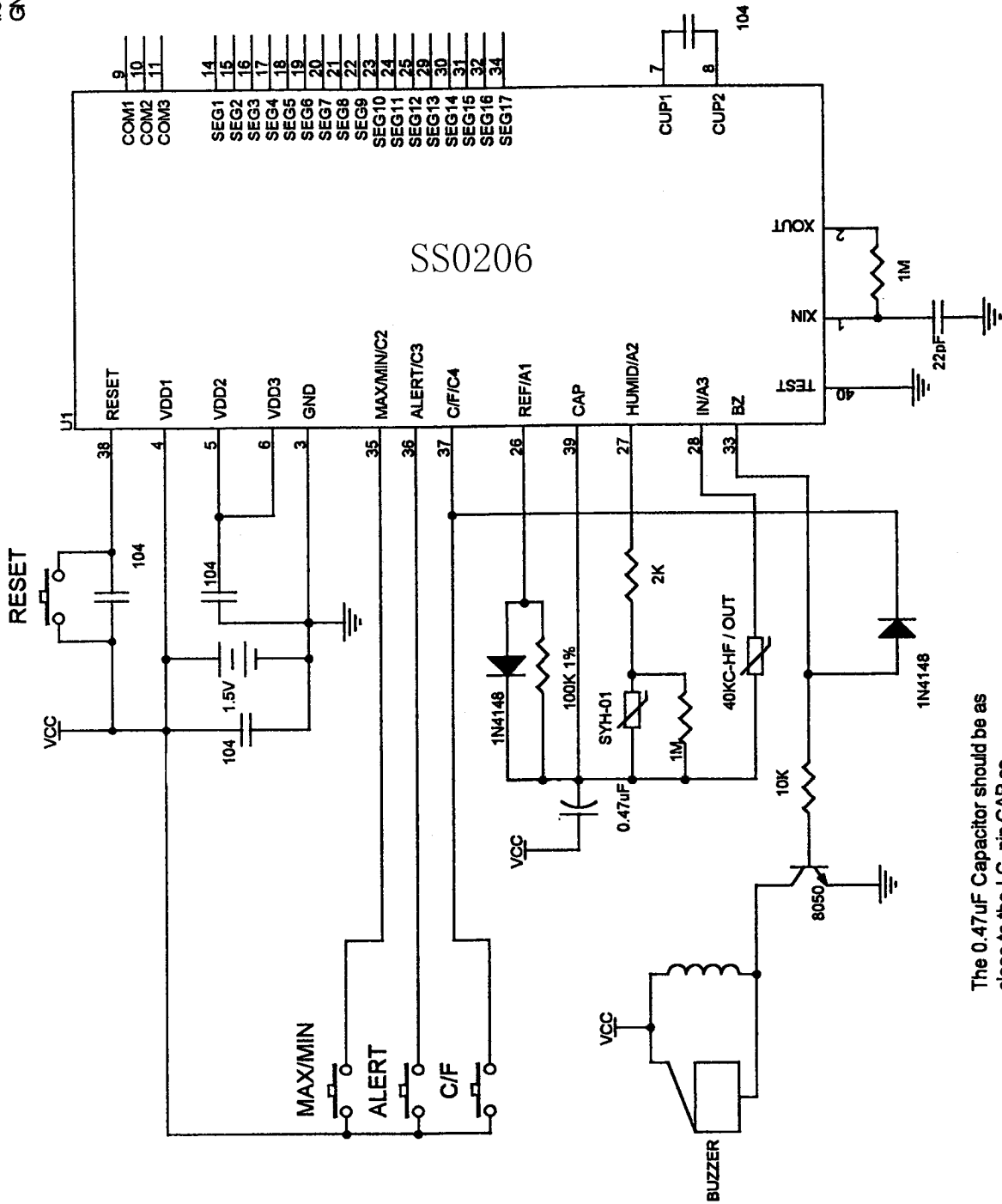
SS0206



PIN ASSIGNMENT

| NO | NAME | X | Y | NO | NAME | X | Y |
|----|------|---------|--------|----|---------|---------|---------|
| 1 | XIN | 72.5 | 712.85 | 21 | SEG8 | 1176.85 | 919.5 |
| 2 | XOUT | 72.5 | 451.35 | 22 | SEG9 | 1176.85 | 1041.5 |
| 3 | GND | 75 | 314.05 | 23 | SEG10 | 1176.85 | 1163.5 |
| 4 | VDD1 | 75 | 199.05 | 24 | SEG11 | 1176.85 | 1285.5 |
| 5 | VDD2 | 94.95 | 72.5 | 25 | SEG12 | 1176.85 | 1407.5 |
| 6 | VDD3 | 209.95 | 72.5 | 26 | REF | 1176.85 | 1534.2 |
| 7 | CUP1 | 324.95 | 72.5 | 27 | HUMID | 1056.1 | 1571.3 |
| 8 | CUP2 | 439.95 | 72.5 | 28 | IN | 936.1 | 1571.3 |
| 9 | COM1 | 554.95 | 72.5 | 29 | SEG13 | 816.1 | 1571.3 |
| 10 | COM2 | 669.95 | 72.5 | 30 | SEG14 | 696.1 | 1571.3 |
| 11 | COM3 | 784.95 | 72.5 | 31 | SEG15 | 576.1 | 1571.3 |
| 12 | N.C. | 899.95 | 72.5 | 32 | SEG16 | 456.1 | 1571.3 |
| 13 | N.C. | 1014.95 | 72.5 | 33 | BZ | 336.1 | 1571.3 |
| 14 | SEG1 | 1129.95 | 72.5 | 34 | SEG17 | 216.1 | 1571.3 |
| 15 | SEG2 | 1176.85 | 187.5 | 35 | MAX/MIN | 96.1 | 1571.3 |
| 16 | SEG3 | 1176.85 | 309.5 | 36 | ALERT | 72.5 | 1440.65 |
| 17 | SEG4 | 1176.85 | 431.5 | 37 | C/F | 72.5 | 1325.65 |
| 18 | SEG5 | 1176.85 | 553.5 | 38 | RESET | 72.5 | 1188.65 |
| 19 | SEG6 | 1176.85 | 675.5 | 39 | CAP | 72.5 | 1029.85 |
| 20 | SEG7 | 1176.85 | 797.5 | 40 | TEST | 72.5 | 871.65 |

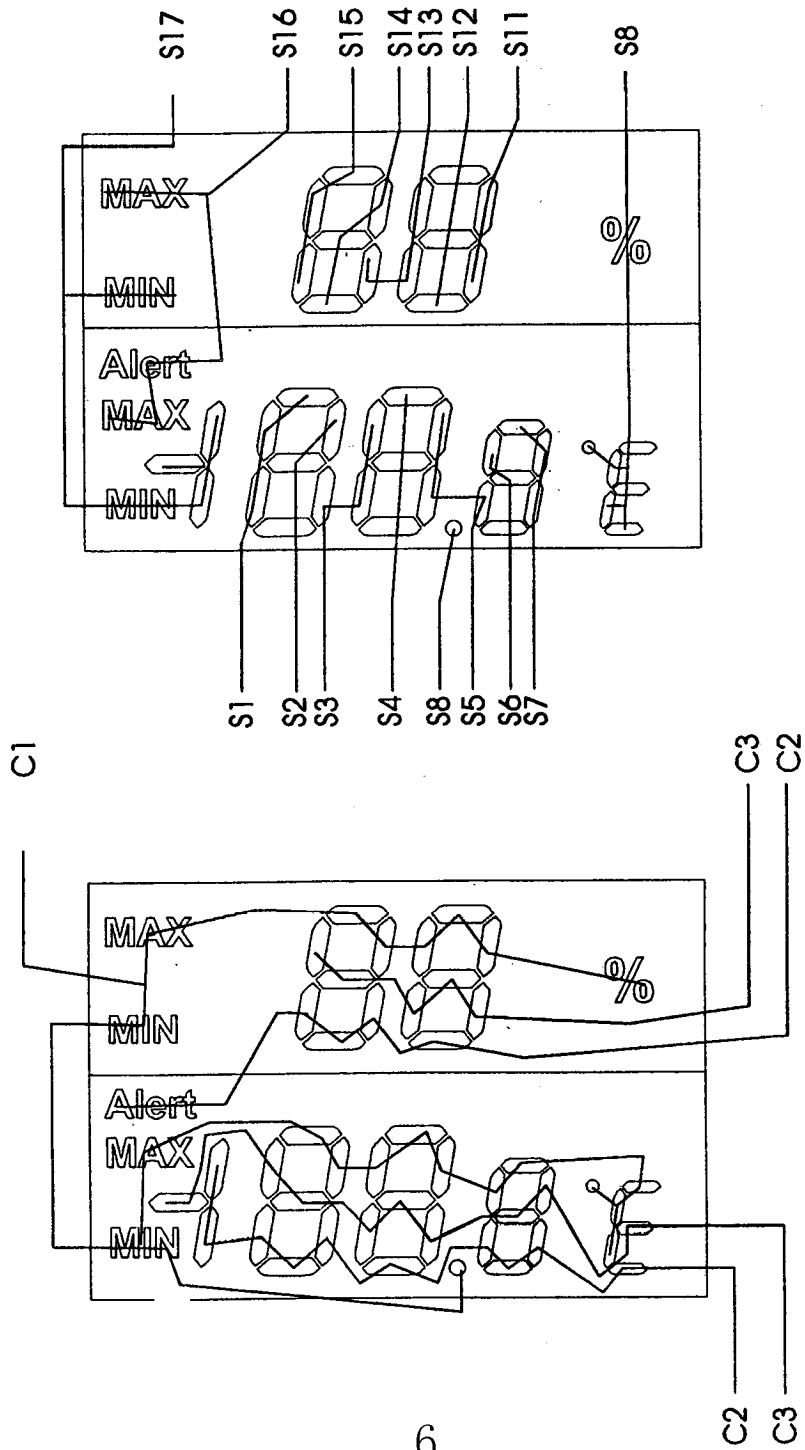
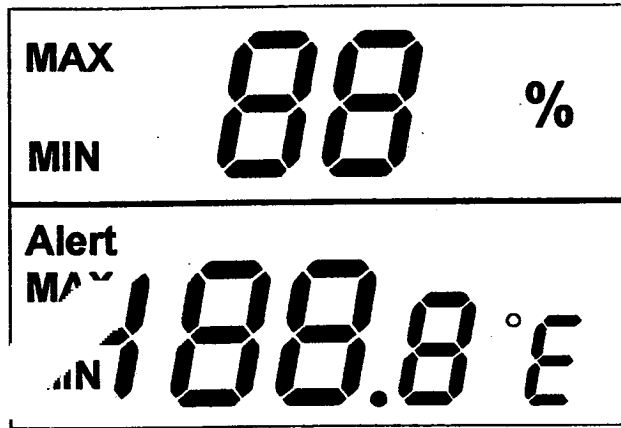
I.C. SUBSTRATE IS CONNECTED TO GND



The 0.47µF Capacitor should be as close to the I.C. pin CAP as possible.

Vlcd - 3 V 1/3 Duty 1/2 Bias

SS0206



欢迎索取免费详细资料、设计选型指南和光盘、样品；产品繁多未能尽录，欢迎来电查询。

[中国传感器科技信息网：HTTP://WWW.SENSOR-IC.COM/](http://WWW.SENSOR-IC.COM/)

[工控安防网：HTTP://WWW.PC-PS.NET/](http://WWW.PC-PS.NET/)

[消费电子专用电路网：HTTP://WWW.SUNSTARE.COM/](http://WWW.SUNSTARE.COM/)

E-MAIL：xjr5@163.com szss20@163.com

MSN：suns8888@hotmail.com

QQ：195847376

地址：深圳市福田区福华路福庆街鸿图大厦 1602 室

电话：0755-83376549 83376489 83387030 83387016

传真：0755-83376182 83338339 邮编：518033 手机：(0)13902971329

深圳展销部：深圳华强北路赛格电子市场 2583 号 TEL/FAX：
0755-83665529 25059422

北京分公司：北京海淀区知春路 132 号中发电子大厦 3097 号

TEL：010-81159046 82615020 13501189838 FAX：010-82613476

上海分公司：上海市北京东路 668 号上海赛格电子市场 2B35 号

TEL：021-28311762 56703037 13701955389 FAX：021-56703037

西安分公司：西安高新开发区 20 所(中国电子科技集团导航技术研究所)
西安劳动南路 88 号电子商城二楼 D23 号

TEL：029-81022619 13072977981 FAX:029-88789382

成都：TEL:(0)13717066236

技术支持：0755-83394033 13501568376