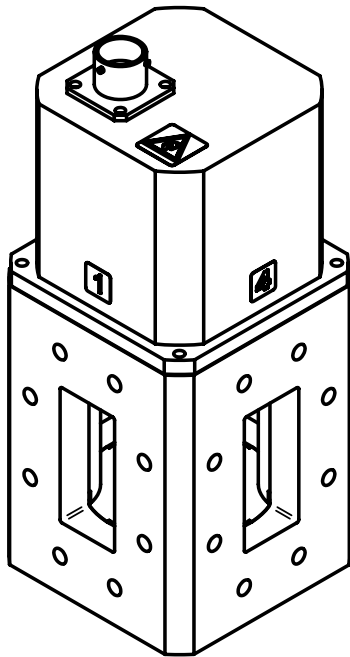
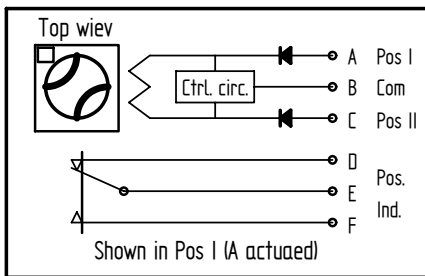
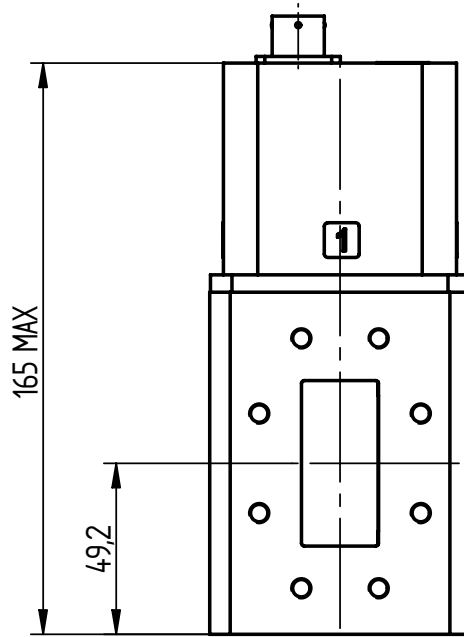
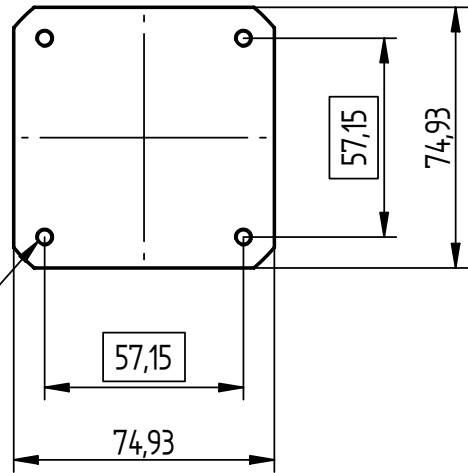


CAD-dokument
Får ej revideras manuellt

Issue	Modification	Date	Sign.	Chkd.
B	ECO	2003-1014	HNg	HW



4x M5
Depth min 8
⊕ ⊖ 0,2



CAUTION!
ESD SENSITIVE

Drawing principle	SS 1902	UNLESS OTHERWISE STATED THE FOLLOWING APPLIES: General tolerances, linear and angular dimensions: ISO 2768-c ⊕ ⊖ 0,2 Europ. proj.	Ref.	030630	Sign.	SKm
Tolerancing principle	ISO 8015		Chkd.		Sign.	HW
Dimensions in mm			Appvd.		Sign.	HW
SIVERS	Title		Designed	Sheet 1(1)		
	WAVEGUIDE SWITCH WR187/R48/WG12 Latching		Scale	1:1,5	Issue B	
			Doc. no.	WS8286G/00		

This document is our property and shall not without our written permission be altered, copied or communicated to a third party.

© SIVERS LAB AB

Reference	Approved	Origin date	Issue date	Issue	Page	Document
HNg	HW	2003-06-30	2003-11-04	B	2 (2)	WS 8286G/00

RF DATA

Frequency range	3.95 – 5.85 GHz
VSWR	1.05
Insertion loss	0.1 dB
Isolation	80 dB
Peak power	500 kW at 0.1 MPa abs., +25°C
Average power	4 kW
Flange interface	MIL-DTL-3922/52C-014 Modified with M6, thread depth min 8

ACTUATOR DATA

Operating voltage	28±3 V DC
Operating current	1 A, Self cut off
Switching time	500 ms
Duty (min time between successive operations)	500 ms -20°C to +40°C linearly increasing to 2 s at +70°C
Connector	MS 3112E 10-6P
Mating connector	MS 3116F 10-6S or eq.

POSITION INDICATOR

Voltage / Current	30 V Max, 100 mA Max Resistive load
-------------------	-------------------------------------

MECHANICAL DATA

Material	Aluminium alloy, Cu free
Finishing	Chromate per MIL-C-5541 and black painted
Air pressure	0.1 MPa overpr. Max
Air leakage	10 cm ³ /min (0.1 MPa overpr.) Max
Weight	1.5 kg Max
Life	250 000 actuations

ENVIRONMENTAL DATA

Ambient temperature	-20°C to +70°C
Vibration	5 – 18 Hz, 3 mm amplitude 18 – 2000 Hz, 15 g
Humidity	100%RH if dry air in waveguide