



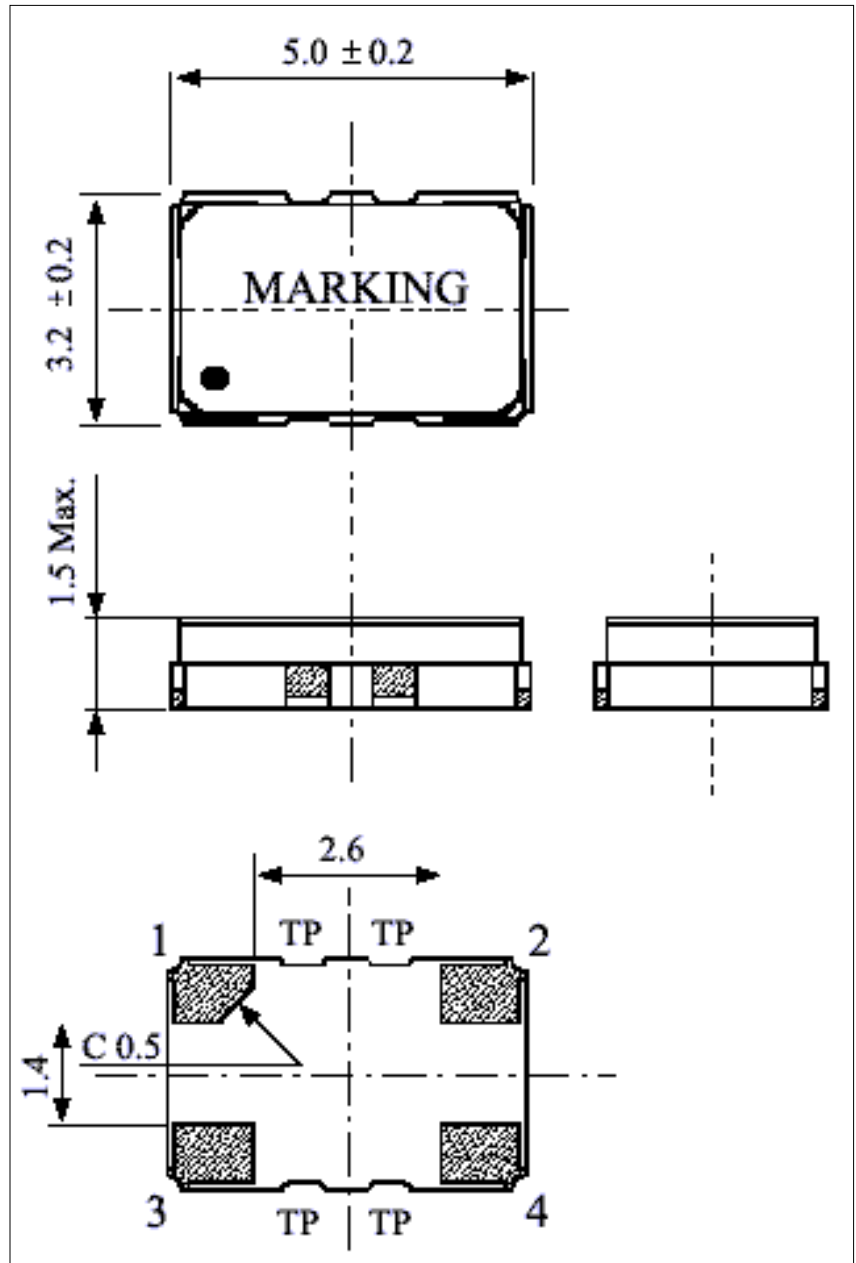
### Super Miniature TCXO's / VCTCXO's, 3X5 mm.

MODEL	TC53	TV53
FREQ' RANGE	13.00 to 26.00 MHz	
FREQ' STABILITY VS. TEMPERATURE	See "How - To - Order" instructions (Typical: $\pm 2.5$ PPM)	
FREQ' STABILITY VS. SUPPLY VARIATIONS	$\pm 0.3$ PPM	
FREQ' STABILITY VS. LOAD VARIATIONS	$\pm 0.3$ PPM	
AGING	$\pm 1.0$ PPM Max. for the first year at $+25^{\circ}\text{C}$	
OPERATING TEMP' RANGE	See "How - To - Order" instructions $-10^{\circ}\text{C}$ to $+70^{\circ}\text{C}$ or $-30^{\circ}\text{C}$ to $+75^{\circ}\text{C}$	
OUTPUT WAVEFORM	Clipped Sine Wave 0.8V ptp Min.	
LOAD	$10\text{K}\Omega \pm 10\%$ // $10\text{pF} \pm 10\%$	
SUPPLY VOLTAGE	$+3.0\text{ Vdc} \pm 5\%$ or $+5.0\text{ Vdc} \pm 5\%$	
SUPPLY CURRENT	2.0mA Max.	
<b>VCO CHARACTERISTICS</b>		
VC	$2.5\text{V} \pm 2.0\text{V}$ for 5.0V	$1.5\text{V} \pm 1.0\text{V}$ for 3.0V
FREQUENCY PULLING RANGE	$\pm 5$ PPM Min.	
SLOPE	Positive	
SMD PACKAGE	5.0 X 3.2 X 1.5 mm.	

## TC53,TV53

Pin	Function
1	NC / V control
2	GND
3	Output
4	Vcc

Dimensions in mm.



[Super Miniature TCXO's / VCTCXO's, 3X5 mm.](#)

[to top](#)

