



Tel: + 972 (0) 462 63891 Fax: + 972 (0) 4626 3715

E-mail: rfq@time.co.il URL: http://www.time.co.il

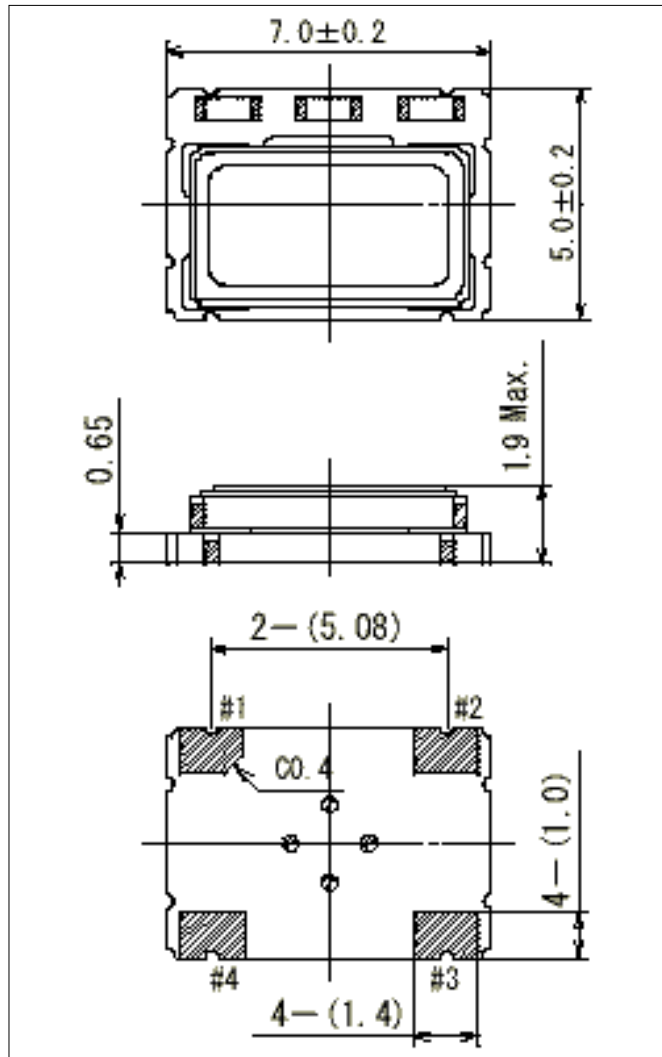
Miniature SMD TCXO's / VCTCXO's, 5X7 mm.

MODEL	TC12	TC312	TV12	TV312
FREQ' RANGE	10.00 to 26.00 MHz			
FREQ' STABILITY VS. TEMPERATURE	See "How - To - Order" instructions (Typical: ± 2.5 PPM)			
FREQ' STABILITY VS. SUPPLY VARIATIONS	± 0.3 PPM			
FREQ' STABILITY VS. LOAD VARIATIONS	± 0.3 PPM			
AGING	± 1.0 PPM Max. for the first year at +25°C			
OPERATING TEMP' RANGE	See "How - To - Order" instructions -10°C to +70°C or -30°C to +75°C			
OUTPUT WAVEFORM	Clipped Sine Wave 0.8V ptp Min.			
LOAD	10 K Ω $\pm 10\%$ // 10 pF $\pm 10\%$			
SUPPLY VOLTAGE	+5.0 Vdc $\pm 5\%$	+3.0 Vdc $\pm 5\%$	+5.0 Vdc $\pm 5\%$	+3.0 Vdc $\pm 5\%$
SUPPLY CURRENT	3.0mA Max.			
VCO CHARACTERISTICS				
VC			2.5V ± 2.0 V	1.5V ± 1.0 V
FREQUENCY PULLING RANGE	~ ~ ~ ~ ~		± 6 PPM Min.	± 5 PPM Min.
SLOPE	Positive			
SMD PACKAGE	5.0 X 7.0 X 2.0 mm.			

TC12,TC312,TV12,TV312

Pin	Function
1	NC / V control
2	GND
3	Output
4	+Vcc

Dimensions in mm.



Miniature SMD TCXO's / VCTCXO's, 5X7 mm.

[to top](#)