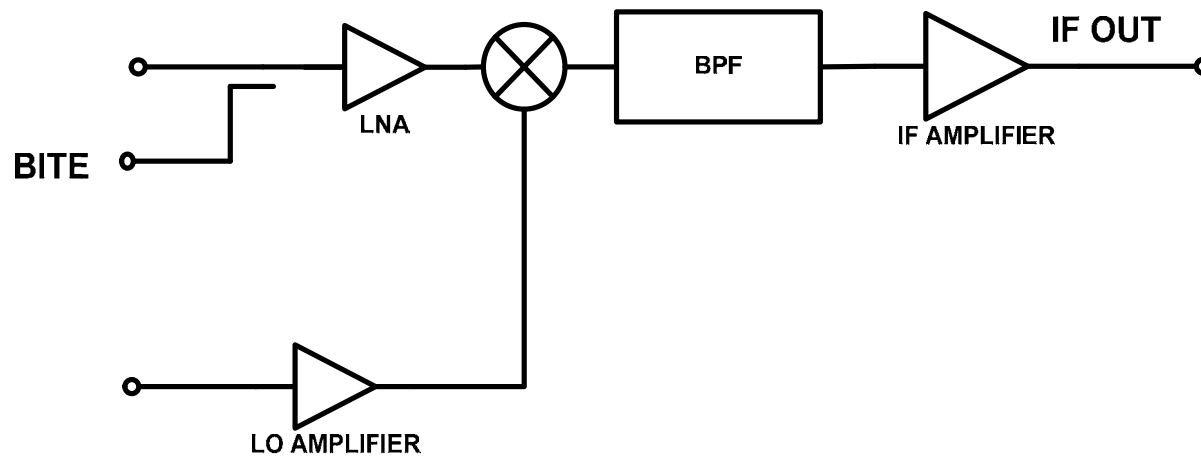


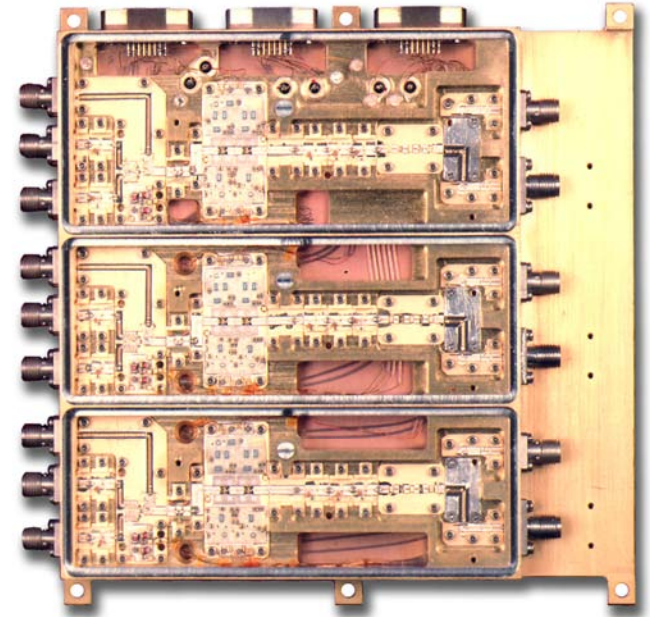
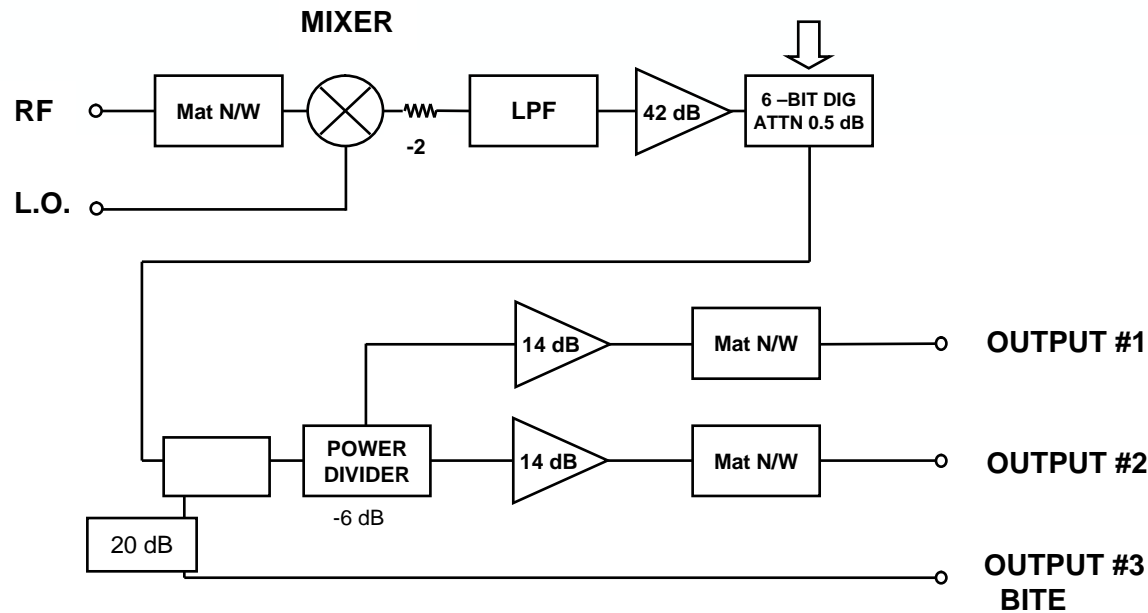
Up/Down Converter Assemblies 0.5 to 40.0 GHz

BLOCK DIAGRAM:



Miniature Three Channel Down Converter Assembly Flat IF 200 MHz to 2000 MHz

BLOCK DIAGRAM:

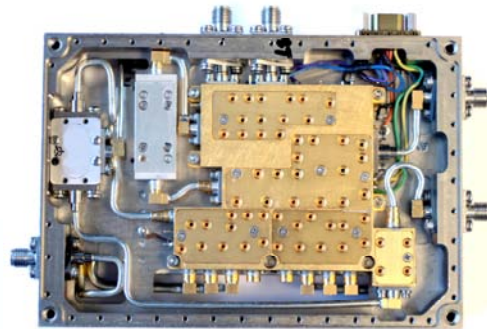
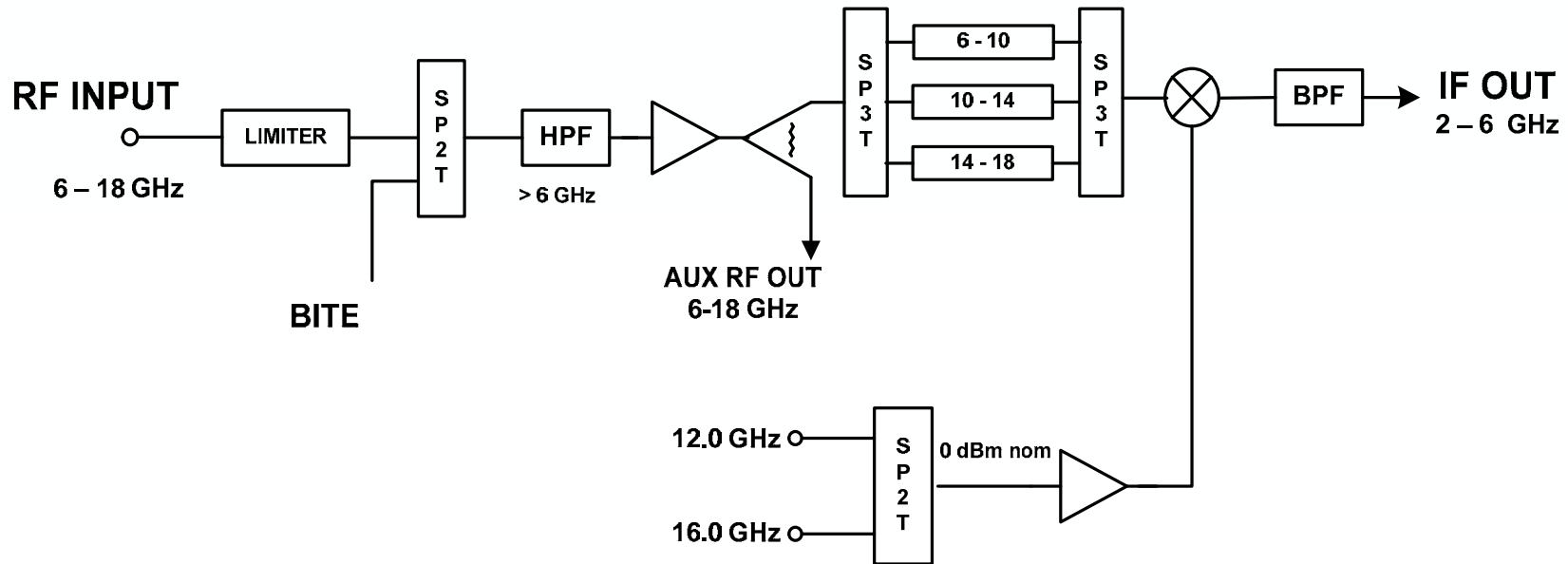


KEY SPECIFICATIONS:

- Input Frequency : 3.0 to 21.0 GHz
- Small Signal Gain: 25 dB (7.0 dB digital attenuation)
- Digital Attenuation: 6-bit, 31 dB, 0.5 dB resolution
- Flat IF Response: 0.25 to 2.0 GHz

Down Converter

6 - 18 GHz to 2 - 6 GHz Baseband



Down Converter

2 – 6 GHz Converted to 1- 2 GHz Baseband

BLOCK DIAGRAM:

