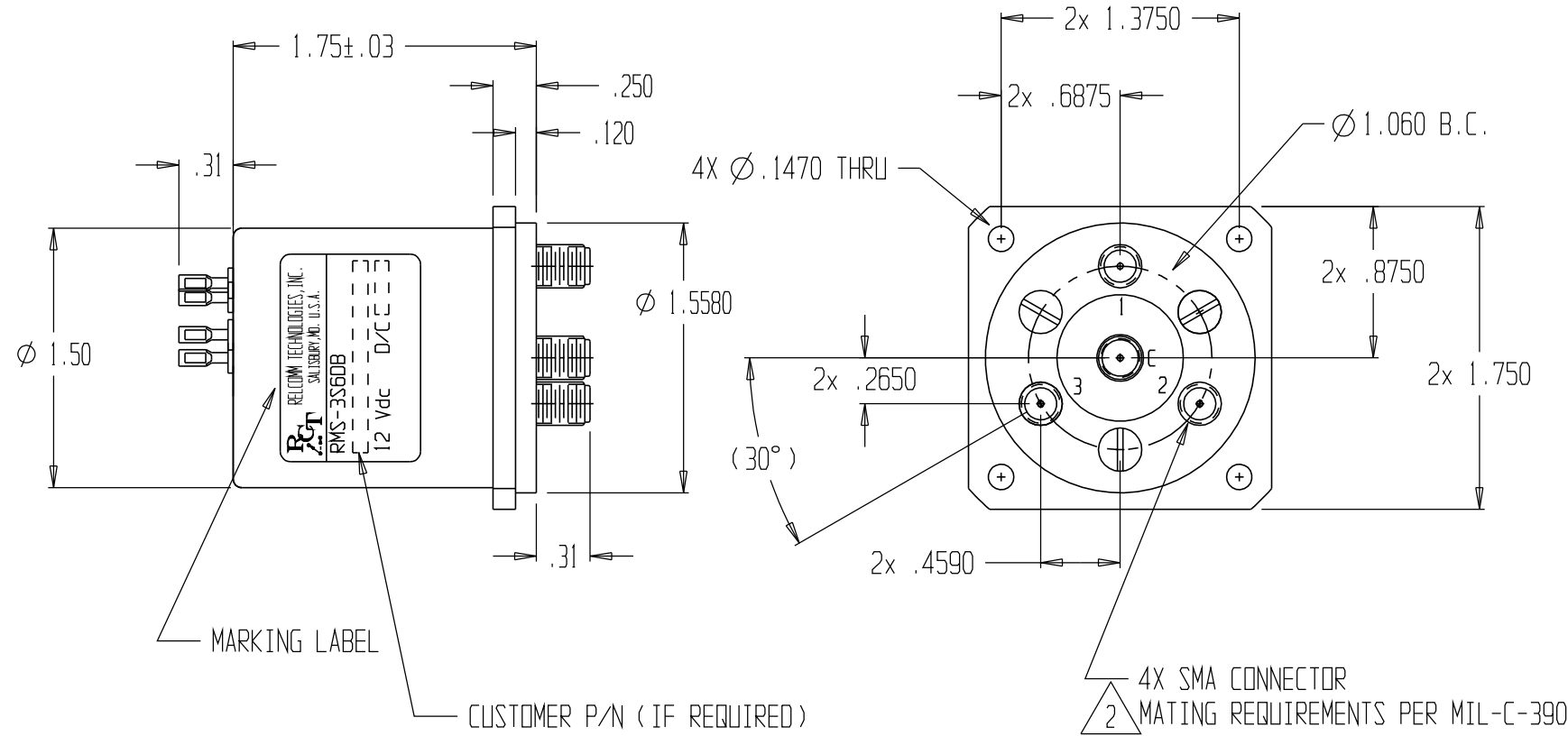
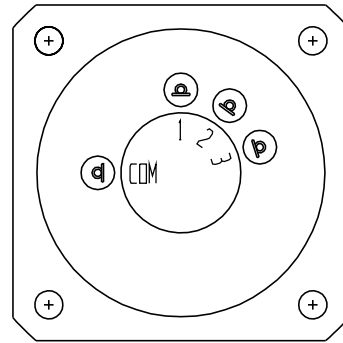


NOTES:

1. INTERPRET CALLOUTS/SYMBOLS PER ASME Y14.5M-1994
2. RECOMMENDED MATING CONNECTOR TORQUE IS 8 lb-in (90 N-cm) DO NOT EXCEED 12 lb-in (136 N-cm) AS DAMAGE TO CONNECTOR MAY RESULT.
3. VERIFICATION OF CHARACTERISTICS ARE IN REFERENCE WITH MIL-S-3928.



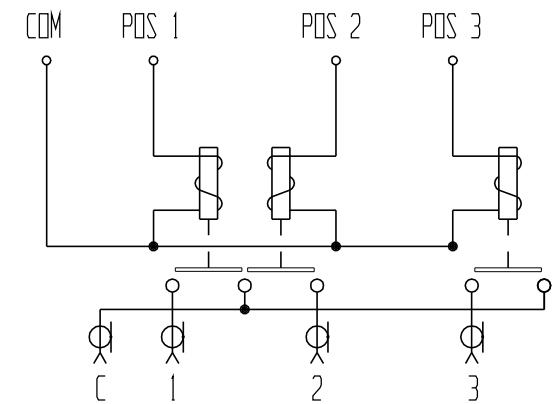
CHARACTERISTICS:

NOMINAL IMPEDANCE (OHM) -----	50			
FREQUENCY RANGE (GHz) -----	DC-4	4-8	8-12.4	12.4-18
V.S.W.R. (MAX) -----	1.2:1	1.3:1	1.4:1	1.5:1
INSERTION LOSS (dB MAX) -----	0.2	0.3	0.4	0.5
ISOLATION (dB MIN) -----	80	70	60	60
AVERAGE POWER (WATTS TYP) -----	85	55	45	35

TEMPERATURE RANGE (OPERATING) ---	-40°C - +85°C
TEMPERATURE RANGE (STORAGE) -----	-55°C - +100°C
SWITCHING ACTION -----	FAILSAFE TO OPEN
OPERATING VOLTAGE (OVER TEMP) ---	10 - 14 Vdc
PICKUP VOLTAGE (MAX @20°C) -----	9 Vdc
DROPOUT VOLTAGE -----	>2.0 Vdc
ACTUATING CURRENT (mA MAX) -----	268 @ 12 Vdc & 20°C
SWITCHING TIME (MAX) -----	15 mSEC
LIFE (MIN PER POSITION)-----	1 * 10^6 CYCLES
WEIGHT (OZ) -----	4.5 NOM

MATERIALS/FINISH:

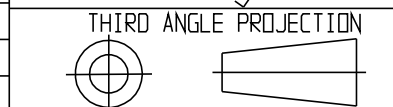
HOUSING -----	ALUMINUM/NICKEL
COVER -----	ALUMINUM/BLACK ANODIZED
CONNECTORS ---	STAINLESS STEEL/PASSIVATE
INSULATION ---	TEFLON
CONTACTS -----	BERYLLIUM COPPER/GOLD



SCHEMATIC SHOWN WITH ALL PORTS OPEN

REV	ECN NO.	DATE	APPROVAL
-	RELEASE	12/05/03	B. JONES
B	WEIGHT	5/31/02	B. JONES
A	PRELIMINARY	4/15/02	B. JONES BJ

UNLESS OTHERWISE SPECIFIED:
 DIMENSIONS ARE IN INCHES
 AND INCLUDE PLATING.
 TOLERANCES
 .XX ± .02 FRACTIONS ±
 .XXX ± .010 SURFACE QUALITY
 .XXXX ± .0050 63/ MAX



DR C. LEWANDOWSKI 4/15/02
 CK M. MAGDA
 ENG B. JONES
 MFG
 QA
 THIS DRAWING AND SPECIFICATIONS ARE THE PROPERTY
 OF RELCOMM TECHNOLOGIES AND SHALL NOT BE
 REPRODUCED OR COPIED OR USED IN WHOLE OR IN PART
 AS THE BASIS FOR THE MANUFACTURE OR SALE
 OF ITEMS WITHOUT WRITTEN PERMISSION.

		RELCOMM TECHNOLOGIES, INC. 610 BEAM STREET SALISBURY, MARYLAND 21801	
TITLE 1P3T COAXIAL RELAY 12 VDC FAILSAFE OPEN			
SIZE B	DWG NO.	RMS-3S60B	
SCALE 1:1	DO NOT SCALE DWG	SHEET 1 OF 1	