

# THURAYA PASSIVE VEHICLE ANTENNA (HIGH ELEVATION) WITH ACTIVE GPS ANTENNA LPA7-1.6L-GPS/1468

SUNSTAR射频通信 http://www.rfoe.net/ TEL:0755-83397033 FAX:0755-83376182 E-MAIL: szss20@163.com



PROVISIONAL SPECIFICATION

## ELECTRICAL

	SATELLITE	GPS
FREQUENCY:	1.52 - 1.66 GHz	1.56 - 1.59 GHz
GAIN:	6.0 dBiC Typ.	20 dB Nom (Amp)
POLARISATION:	Left Hand Circular	Right Hand Circular
BEAMWIDTH:	70° (Az) x 70° (El)	70° (Az) x 70° (El)
AXIAL RATIO:	3.0 dB Typ.	3.0 dB Typ.
VSWR:	<1.5:1	N/A
POWER:	20 W	5 VDC via coax
FRONT TO BACK:	>20 dB	N/A

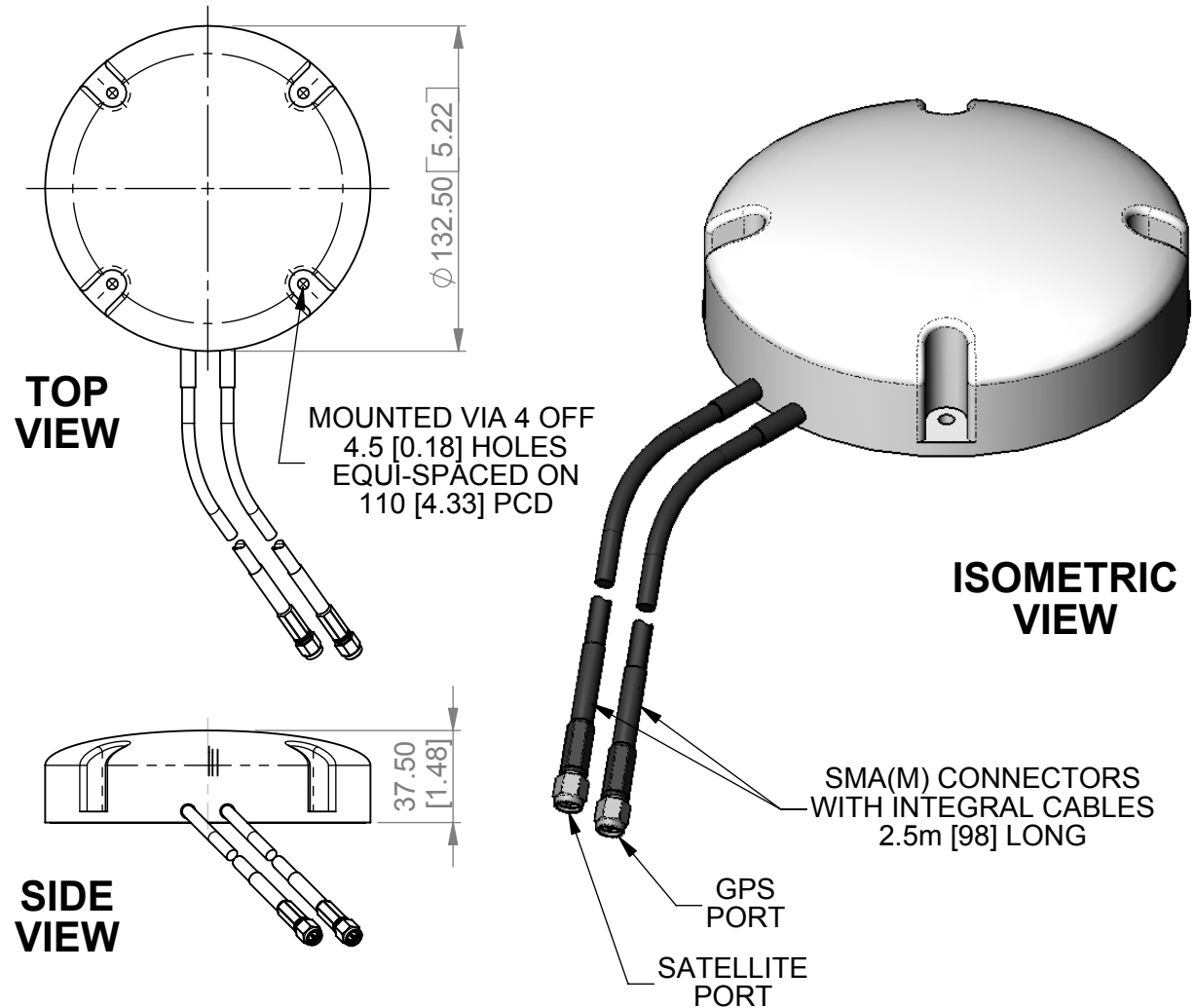
## MECHANICAL

STANDARD FINISH:	White
MASS:	365 g / 12.88 oz
TEMPERATURE:	-40° to +70°C
WIND LOADING:	0.75 Kg / 1.65 lbs @ 100 mph (side on)

## MOUNTING OPTIONS

KITS AVAILABLE: N/A

GA: 1468-B Issued: 270707  
DIMENSIONS: mm [inches] H



LPA7-1.6L-GPS/1468

European Antennas Ltd. has a policy of continuous development and therefore stress that the data contained on this sheet should be used for guidance only.

European Antennas Ltd. is part of the Cobham Antennas Division

**COBHAM** Antennas

SUNSTAR射频通信 http://www.rfoe.net/ TEL:0755-83397033 FAX:0755-83376182 E-MAIL: szss20@163.com



European Antennas Ltd  
Lambda House, Cheveley  
Newmarket, Suffolk, CB8 9RG, UK  
Tel: +44 (0)1638 731888  
sales@european-antennas.co.uk  
www.european-antennas.co.uk