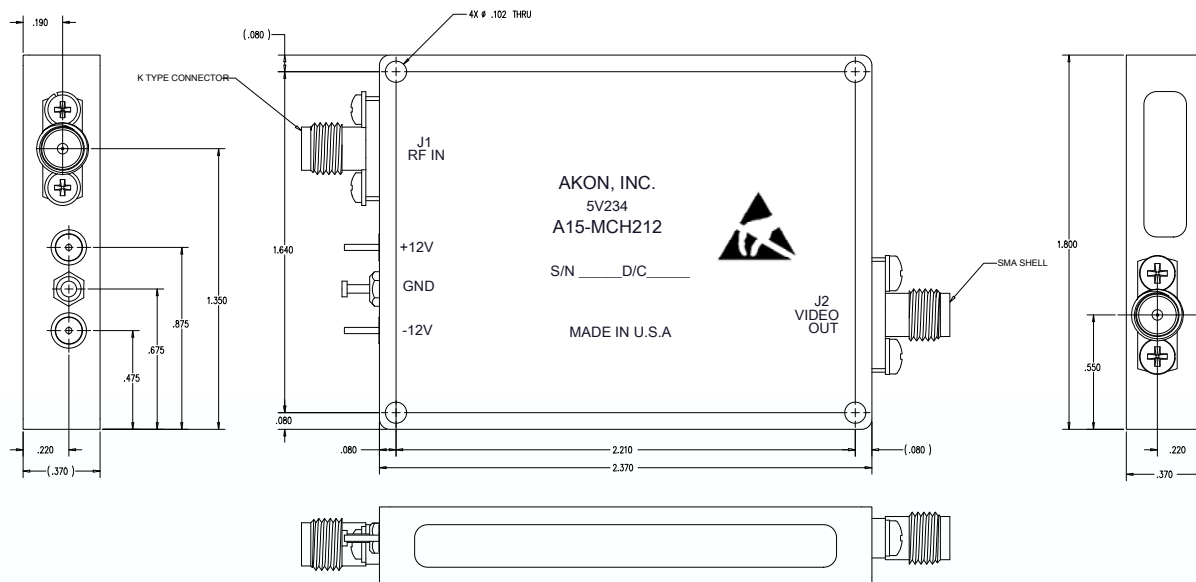


18.0 - 40.0 GHz DLVA

KEY SPECIFICATIONS:

- | | | | |
|----------------------------------|---------------------|---------------------------|-------------------|
| ▪ Frequency Range: | 18 GHz – 40 GHz | ▪ Video Rise Time: | 11 ns (8 ns typ) |
| ▪ Tangential Signal Sensitivity: | -65 dBm @ 250 C | ▪ Recovery Time: | 60 ns (40 ns typ) |
| ▪ Input Power Handling: | (CW) 18 dBm max | ▪ Delay Time: | 15 ns (5 ns typ) |
| ▪ Video Log Range: | 63 dBm to +2 dBm | ▪ Video Output Impedance: | 50 Ω |
| ▪ Video Log Linearity: | 1.5 dB @ 25°C | ▪ VSWR (50 Ω) Input: | 2.5:1 |
| ▪ Video Log Slope: | 25 mV/dB nom | ▪ VSWR (50 Ω) Output: | 2.5:1 |
| ▪ Video Log Slope Tolerance: | ± 2 mV/dB | ▪ RF Out Psat: | 8 dBm |
| ▪ Video Frequency Flatness: | ± 2.5 dB max @ 25°C | ▪ Voltage: | +12 V / -12 V |
| ▪ Pulse Width Range: | 25 ns to CW | ▪ Current: | 550mA / 150 mA |

OUTLINE DRAWING:



AKON