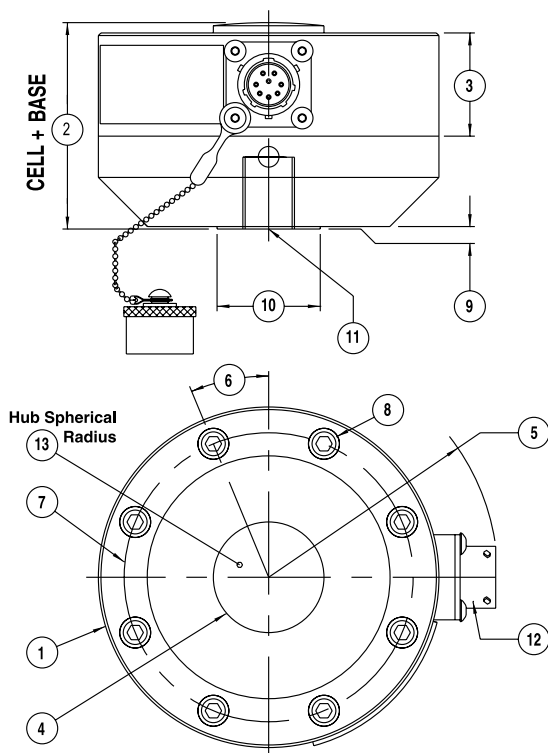


# Model 1600 Gold Standard™ Calibration Compression-Only Load Cell

Why the Interface model 1600 Gold Standard™ Calibration Compression-Only Load Cell is the best in class:

- .005% nonrepeatability
- .01% creep
- High output – to 4 mV/V
- High precision base installed
- 3 run NIST traceable ASTM E74 calibration
- Eccentric load compensated
- .0008%/°F temp. effect on output
- 4% lower load limit



## DIMENSIONS

See Drawing	MODEL					
	1611		1621		1633	
	CAPACITY					
	U.S. (lbf)	Metric (kN)	U.S. (lbf)	Metric (kN)	U.S. (lbf)	Metric (kN)
	1K, 2K, 5K, 10K	4.5, 9, 22, 45	25K, 50K	110, 225	100K	450
	inch	mm	inch	mm	inch	mm
①	4.13	104.8	6.06	153.9	8.00	203.2
②	2.50	63.5	3.50	89.0	4.50	114.3
③	1.25	31.7	1.63	41.4	2.25	57.2
④	1.34	34.0	2.41	61.2	3.76	95.5
⑤	2.78	70.0	3.50	89.0	4.47	113.0
⑥	22.5°	22.5°	15.0°	15.0°	11.25°	11.25°
⑦	3.50	88.9	5.13	130.3	6.50	165.1
⑧	8 SHCS		12 SHCS		16 HHCS	
⑨	0.03	0.80	0.03	0.80	0.03	0.80
⑩	1.25	31.8	2.25	57.2	3.00	76.2
⑪	5/8-18 UNF-3B 0.87 in deep		1 1/4-12 UNF-3B 1.40 in deep		1 3/4-12 UNF-3B 1.75 in deep	
⑫	PT02E-12-8P		PT02E-12-8P		PT02E-12-8P	
⑬	6.00	152.0	8.00	203.0	12.0	305.0

**SPECIFICATIONS**

PARAMETERS	MODEL				
	1611	1611	1611	1621	1633
	CAPACITY (lbf)				
	1K	2K	5K, 10K	25K, 50K	100K
<b>ACCURACY – (MAX ERROR)</b>					
Static Error Band-% FS	±0.02	±0.02	±0.025	±0.03	±0.04
Nonlinearity-% FS	±0.03	±0.03	±0.04	±0.04	±0.04
Hysteresis-% FS	±0.02	±0.02	±0.04	±0.04	±0.05
Nonrepeatability-% RO	±0.005	±0.005	±0.005	±0.005	±0.005
Creep, 20 min-%±0.01	±0.01	±0.01	±0.01	±0.01	
Side Load Sensitivity-%	±0.1	±0.1	±0.1	±0.1	±0.1
Eccentric Load Sensitivity-%/in	±0.1	±0.1	±0.1	±0.1	±0.1
Lower Load Limit-% Cap. (ASTM E74 CLASS A)	4.0	4.0	4.0	4.0	4.0
<b>TEMPERATURE</b>					
Compensated Range-°F	15 to 115	15 to 115	15 to 115	15 to 115	15 to 115
Compensated Range-°C	-10 to 45	-10 to 45	-10 to 45	-10 to 45	-10 to 45
Operating Range-°F	-65 to 200	-65 to 200	-65 to 200	-65 to 200	-65 to 200
Operating Range-°C	-55 to 90	-55 to 90	-55 to 90	-55 to 90	-55 to 90
Effect on Zero-%RO/°F – MAX	±0.0004	±0.0004	±0.0004	±0.0004	±0.0004
Effect on Output-%/°F – MAX	±0.0008	±0.0008	±0.0008	±0.0008	±0.0008
<b>ELECTRICAL</b>					
Rated Output-mV/V (Nominal)	2.0	2.0	4.0	4.0	4.0
Excitation Voltage-VDC – MAX	20	20	20	20	20
Bridge Resistance-Ohm (Nominal)	350	350	350	350	350
Zero Balance-% RO	±1.0	±1.0	±1.0	±1.0	±1.0
Insulation Resistance-Megohm	5000	5000	5000	5000	5000
<b>MECHANICAL</b>					
Safe Overload-% CAP	±150	±150	±150	±150	±150
Deflection @ RO-inch	0.002	0.002	0.004	0.004	0.006
Weight-lb	3.3	3.3	7.5	21.5	52
Connector	PT02E-12-8P	PT02E-12-8P	PT02E-12-8P	PT02E-12-8P	PT02E-12-8P
Calibration	Compression	Compression	Compression	Compression	Compression

**OPTIONS**

- Compression Overload Protection
- Multiple Bridge
- Standardized Output
- ASTM E74 Calibration
- Connector Protection
- Low Profile Options

**STANDARD CONFIGURATIONS**

PT02E-12-8P Connector (16xxAJH-nn)

**ACCESSORIES**

- Precision mV/V Transfer Standard
- Instrument Cable Assemblies
- Signal Conditioning Boards
- Calibration Software

Consult factory for more technical information