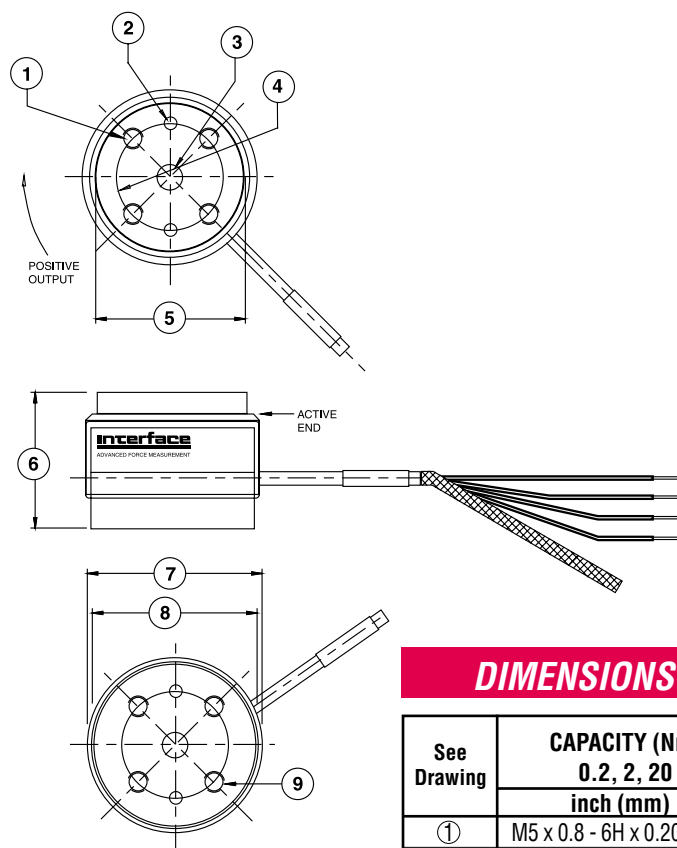


Model MRT Miniature Reaction Torque Transducer

Why the Interface model MRT Miniature Reaction Torque Cell is the best in class:

- Proprietary Interface temperature compensated strain gages
- Low capacity - as low as 1.77 in-lb (0.2 Nm)
- Small size - 1.6 in OD x 1.25 in
- Excellent linearity & repeatability
- Low deflection - high torsional stiffness



DIMENSIONS

See Drawing	CAPACITY (Nm)
	inch (mm)
①	M5 x 0.8 - 6H x 0.20 Deep
②	.119 ±0.001 (3.02 ±0.03)
③	.237 thru (6.02)
④	.984 (24.99)
⑤	1.375 (34.95)
⑥	1.25 (31.8)
⑦	1.60 (40.6)
⑧	1.50 (38.1)
⑨	M5 x 0.8 - 6H x 0.20 Deep

SPECIFICATIONS

Standard Capacities (Nm).....0.2, 2, 20
 Equivalent (in-lb)1.77, 17.7, 177

ACCURACY – (MAX ERROR)

Nonlinearity-% FS±0.10
 Hysteresis-% FS±0.10
 Nonrepeatability-% RO±0.05
 Creep, in 20 min-%±0.10

TEMPERATURE

Compensated Range-°F15 to 115
 Compensated Range-°C-10 to 45
 Operating Range-°F-65 to 200
 Operating Range-°C-55 to 90
 Effect on Zero-% RO/100F°±0.20
 Effect on Output-%/100F°±0.10

ELECTRICAL

Rated Output-mV/V (Nominal)2.00 ±0.30
 Zero Balance-% RO±1.0
 Input Resistance-Ohms700 + 100/-7
 Output Resistance-Ohms700 ±7
 Insulation Resistance-Megohm>5000
 Excitation, Nominal.....10 VDC
 Excitation, Maximum20 VDC

MECHANICAL

Overload:
 -safe torsion-% CAP±150
 -ultimate torsion-% CAP±400
 -safe side load-N13, 110, 400
 -lbf3, 25, 90
 -safe overhung moment-% CAP100
 -safe mounting torque-Nm0.3, 3, 9
 -in-lb2.7, 27, 80
 Deflection at capacity-radian0.007, 0.003, 0.003
 Cable length-feet5