

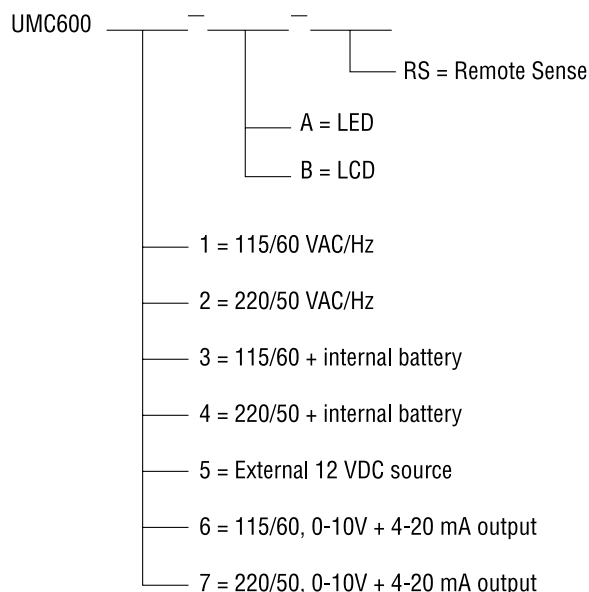


Model UMC600 Weight Indicator/Controller

- Powers up to 8 load cells
- 80,000 display graduations
- Nonlinearity $\leq \pm 0.01\%$
- Nema 4 stainless steel enclosure
- Serial output (RS232)
- Adjustable digital filter
- Dual setpoint outputs
- Tilt stand base
- "Zero," "Tare," "Net/Gross," "lb/kg Conv.," and "Print" keys
- 10 updates/second with adjustable digital averaging
- Active 5 Hz analog filter
- 5-point linearization
- Batching and weighing functions



OPTIONS



SPECIFICATIONS

ELECTRICAL

Excitation Voltage (Nominal)10 VDC
 Current240 mA

PERFORMANCE

Maximum Display Counts80,000
 Maximum Error0.01% of reading ± 1 count
 Signal Input Range9 to 44 mV FS
 Sensitivity0.3 μ V/count
 Conversion Rate10 per second
 Integration Time20 msec typical
 Display Increments1, 2, 5, 10, 20, 50, 100

ENVIRONMENTAL

Operating Temperature14 to 104°F
 -10 to 40°C

POWER

AC115/60 or 230/50 VAC/Hz
 (Internal rechargeable battery or 12 VDC optional)

MECHANICAL

Panel Cutout9.12 X 6.62" (232x168 mm)
DIMENSIONSL 9.12" x H 6.62" x W 4.18"
 Weight9.4 lb (4300g)
 Display6 digit, LED or LCD,
 .6" high

ACCESSORIES

Panel mount kit
 CN-208 mating connector (included)