

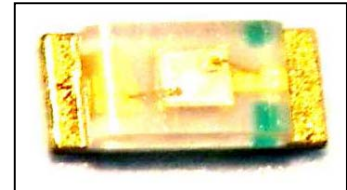


ROITHNER LASERTECHNIK GmbH

WIEDNER HAUPTSTRASSE 76 IO40 VIENNA AUSTRIA
 TEL. +43 1 586 52 43 -0. FAX. -44. OFFICE@ROITHNER-LASER.COM



GUVA-S22ED



TECHNICAL DATA

UV-B Sensor

Features

- Gallium Nitride Based Material
- Schottky-type Photodiode
- Photovoltaic Mode Operation
- Good Visible Blindness
- High Responsivity & Low Dark Current

Applications

- UV Index Monitoring

Absolute Maximum Ratings

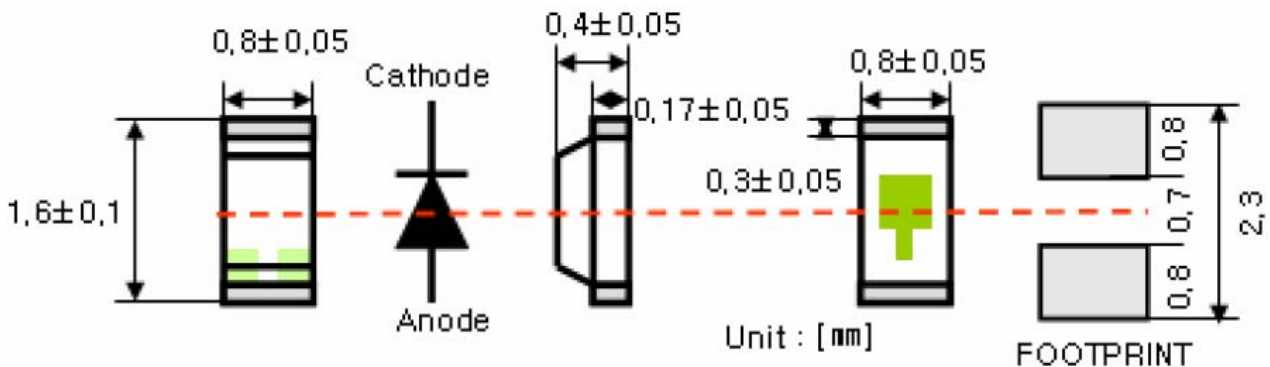
Item	Symbol	Value	Unit
Forward Current	I_F	1	mA
Reverse Voltage	V_R	5	V
Operating Temperature	T_{op}	-30 ... +85	°C
Storage Temperature	T_{st}	-40 ... +90	°C
Soldering Temperature *	T_{sol}	260	°C

* must be completed within 10 seconds

Characteristics (25°C)

Item	Symbol	Test Conditions	Min.	Typ.	Max.	Unit
Dark Current	I_D	$V_R = 0.1 V$	-	-	1	nA
Photo Current	I_{PD}	UVA Lamp, 1 mW/cm ²	-	121	-	nA
		1 UVI	-	25	-	nA
Temperature Coefficient	I_{TC}	UVA Lamp	-	0.08	-	% / °C
Responsivity	R	$\lambda = 300 nm, V_R = 0 V$	-	0.12	-	A/W
Spectral Detection Range	λ	10% of R	290	-	370	nm

Package Dimension



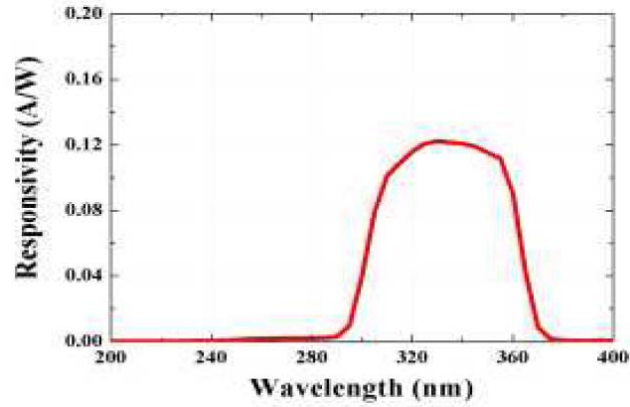


ROITHNER LASERTECHNIK GmbH

WIEDNER HAUPTSTRASSE 76 IO40 VIENNA AUSTRIA
TEL. +43 1 586 52 43 -0. FAX. -44. OFFICE@ROITHNER-LASER.COM



Responsivity Curve



Photocurrent along UV Power

