

PYREOS

DUAL CHANNEL PYROELECTRIC DETECTOR

Introduction

The Pyreos thin film pyroelectric gas detectors offer exceptionally high responsivity, low microphonics and class leading thermal and electrical stability. This high performance detector achieves a signal to noise of ~10,000 and offers a fast, stable response over a wide operating frequency range. The sensor elements are built into a low noise circuit that has an internal cmos op amp, with a 10 G Ohm feedback resistor outputting an industry standard voltage mode signal. With a standard pin out it makes it a simple replacement for leading voltage mode devices.



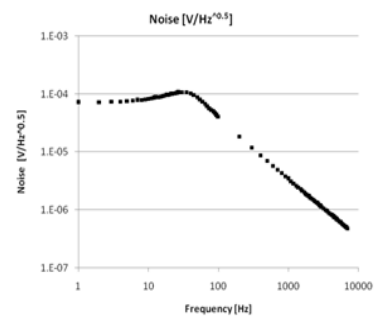
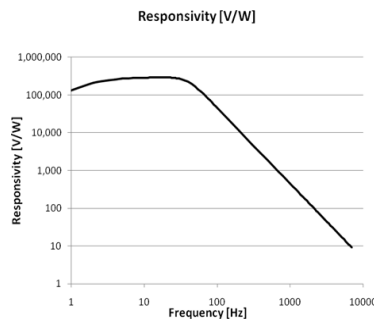
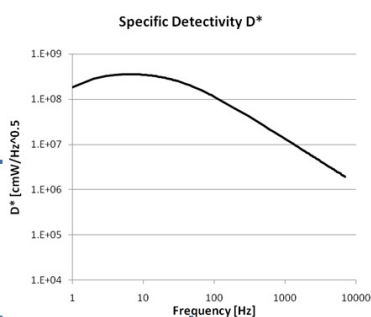
Sensor Information

Filter aperture	2.6 mm square
Element size	1000 μm x 1000 μm
Op amp with 10G Ohm feedback resistor	
Time Constant	~12 ms
Responsivity ¹	150,000 V/W
D* ¹	3.5 x 10⁸ cm²/Hz/ W
Noise ¹	70 uV/√Hz

¹ 10Hz normalized without window & optics

Max. Voltage	8.0V
Min. Voltage	2.7V
Output Voltage	Normalised around mid rail
Microphonics	S _{vib} ~2 μV/ g at 10Hz
Package	TO39
Filter	8 standard types & custom
Operating Temperature -20 to +70 C	
Storage Temperature -20 to +110 C	

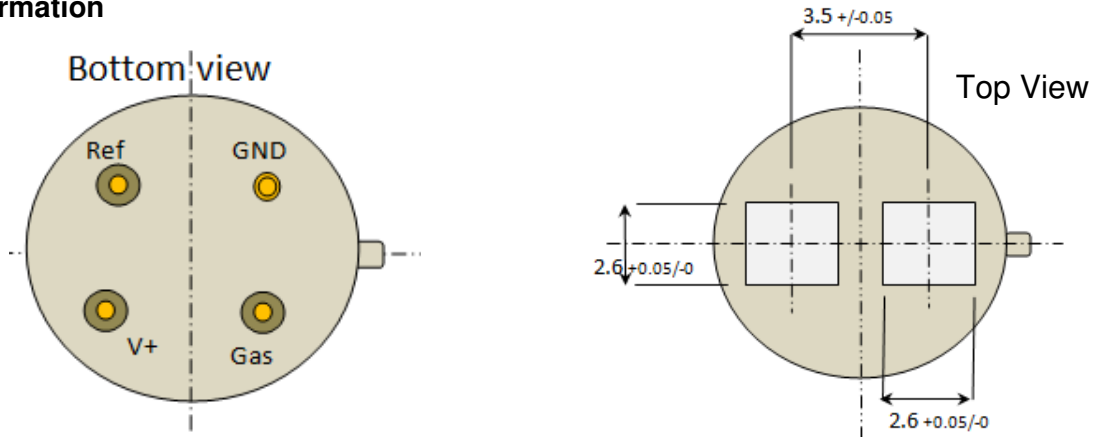
Frequency Characteristics



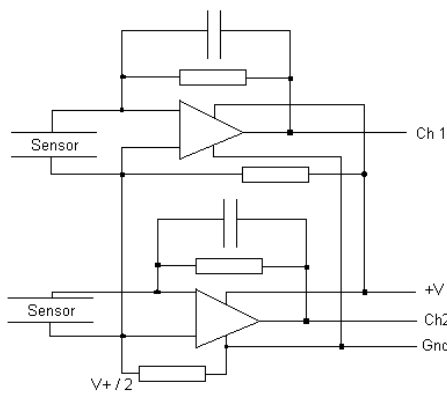
Please note: the information contained in this document is subject to change without further notification. Pyreos reserves the right to alter the performance and any resulting specification. Pyreos may choose not to supply any engineering sample devices as a commercial product. No responsibility is accepted for any consequential loss incurred. Pyreos Ltd, SMC, West Mains Road, Edinburgh EH9 3JF, UK. Tel:+441316507009, www.pyreos.com; © Copyright Pyreos Ltd 2011



Package Information



Pin compatible with leading brands



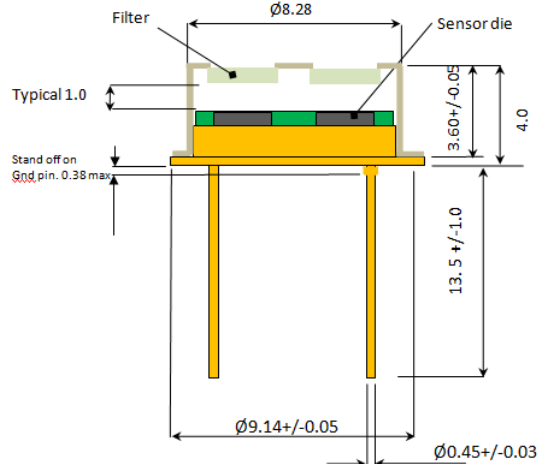
Voltage mode output

Filters Available

Pyreos has a range of standard filters for CO₂ CO hydrocarbon methane NO_x SO_x fire/flame and we can also rapidly process a customized filter for you. Typical performance values measured are shown.

Filter	CO ₂	CO	CH ₄	H-C	CO ₂ Narrow	CONarrow	Ref.
CWL μm (HBP nm)	4.26(180)	4.64(180)	3.30(160)	3.375(190)	4.27(90)	4.64(90)	3.91(90)
Responsivity V/W (500K,10Hz)	7700	8200	3700	4200	3100	5300	5100
Noise 10Hz uV√Hz	70	70	70	70	70	70	70

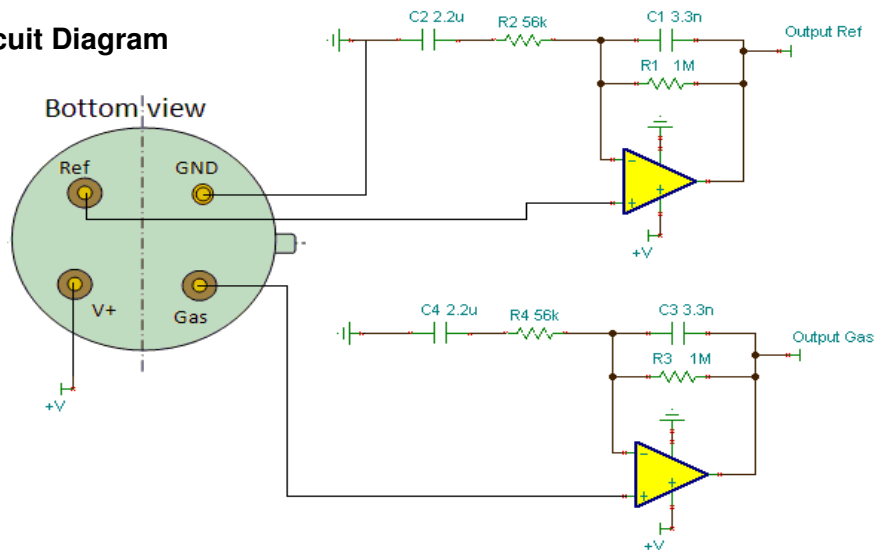
Filter Window Size



Dimensions in mm (Not to scale)

Package Dimensions

Recommended Circuit Diagram



Please note: the information contained in this document is subject to change without further notification. Pyreos reserves the right to alter the performance and any resulting specification. Pyreos may choose not to supply any engineering sample devices as a commercial product. No responsibility is accepted for any consequential loss incurred. Pyreos Ltd, SMC, West Mains Road, Edinburgh EH9 3JF, UK. Tel:+441316507009, www.pyreos.com, © Copyright Pyreos Ltd 2011. SUNSTAR自动化 <http://www.sensor-ic.com/> TEL: 0755-83376489 FAX: 0755-83376182 E-MAIL: szss20@163.com