

Two Channel Pyroelectric Detector PS2x4V1-A-S1.5

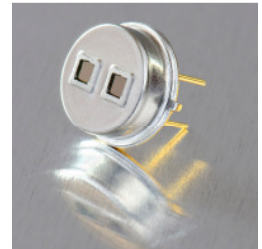
Pyroelectric dual-channel voltage mode detector for NDIR gas analysis.

Active Area	2 x (1.15 x 1.15)	mm ²
Aperture	2 x (1.5 x 1.5)	mm ²
Mode	Voltage	
Time Constant $t_{(0-63\%)} \text{ thermal}$	typ. 32	ms
Time Constant $t_{(0-63\%)} \text{ electrical}$	typ. 2000	ms
AC Sensitivity ^{1,2,3}	typ. 725	V/W
Noise Density Voltage ¹	typ. 0.24	$\mu\text{V}/\text{Hz}^{1/2}$
Noise Equivalent Power NEP ^{1,2,3}	typ. 3.31×10^{-10}	$\text{W}/\text{Hz}^{1/2}$
Specific Detectivity D^* ^{1,2,3}	typ. 3.47×10^8	$\text{cmHz}^{1/2}/\text{W}$
Microphonic Voltage ¹	typ. 50	$\mu\text{V}/\text{g}$
Filling Gas	Kr	
Filters	All Micro-Hybrid standard narrow band pass filters can be combined. Customized filters on request. For more information please see document "infrared filters"	
Drain Source Voltage	max. +18	VDC
External Load	47	kOhm
Offset Voltage	0.3 ... 1	V
Gate Resistor	100	GOhm
Operation Temperature	-25 ... +85	°C
Mass	~1	g
Housing	T039 (modified)	

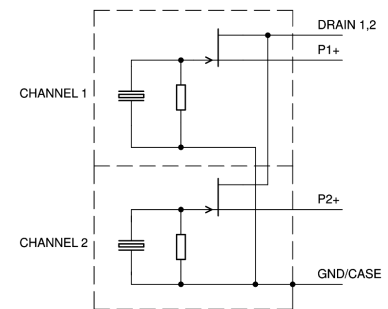
¹ at $T_{\text{amb}}=25^\circ\text{C}$, 10 Hz, band width 1 Hz

² Blackbody $T=500\text{K}$; $E=38\text{W}/\text{m}^2$

³ on air without windows



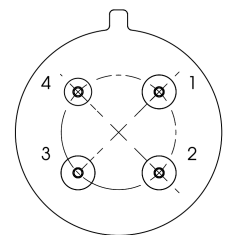
Equivalent Circuit



Pin Assignment

Bottom View

Pin 1	Output P2+
Pin 2	Drain
Pin 3	Output P1+
Pin 4	GND



Micro-Hybrid Electronic GmbH

Heinrich-Hertz-Straße 8
D-07629 Hermsdorf

Tel +49 366 01 592 100
Fax +49 366 01 592 110

Email: infrared@micro-hybrid.de
Web: www.micro-hybrid.de

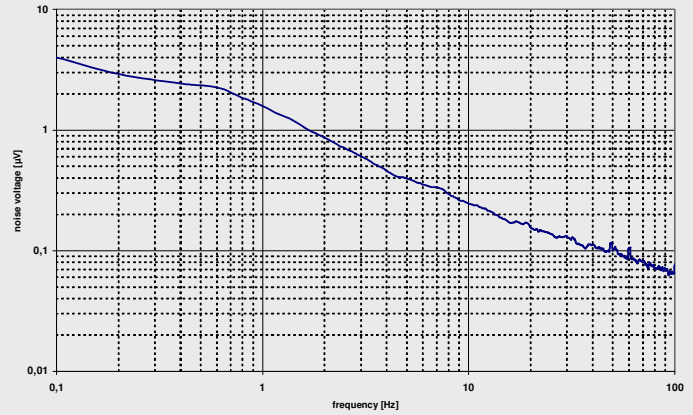
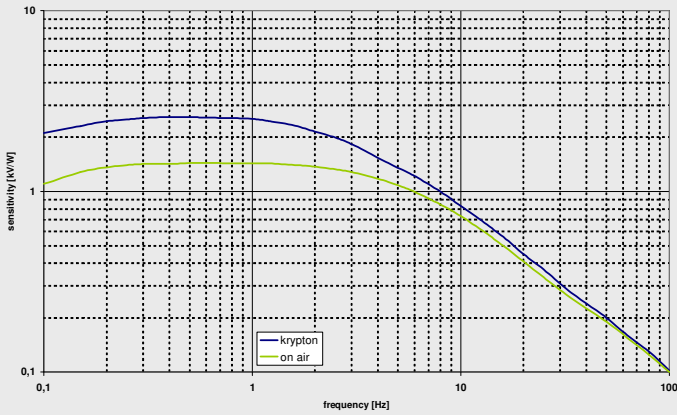
LIVING MICROWORLDS.

May 7th 2013 – subject to change without notice

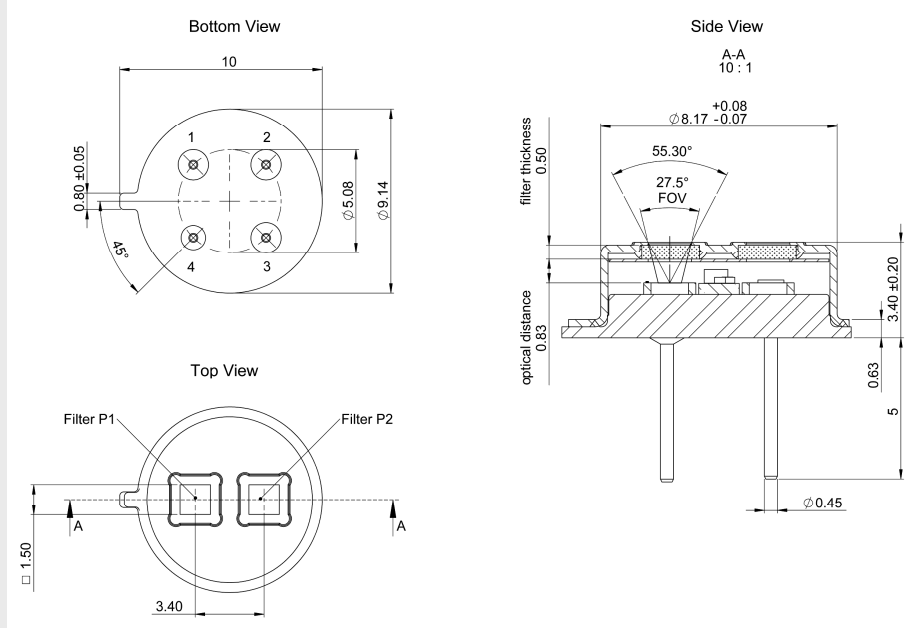


Two Channel Pyroelectric Detector PS2x4V1-A-S1.5

Frequency Response



Housing



Ordering Information

PS2x4V1-A-S1.5-Filling Gas (GG)-Filters (H/H)

e.g. PS2x4V1-A-S1.5-Kr-E1/D1

Optional parts

Evaluation Kit – For independent evaluation of emitters and detectors
Art.-Nr. 7206.01-A.00

Micro-Hybrid Electronic GmbH

Heinrich-Hertz-Straße 8
D-07629 Hermsdorf

Tel +49 366 01 592 100
Fax +49 366 01 592 110

Email: infrared@micro-hybrid.de
Web: www.micro-hybrid.de