

SPECTROTILT™ – 4-20mA Electronic Inclinometer

The SPECTROTILT™ 4-20mA Electronic Inclinometer is a fully signal conditioned, single axis tilt sensor. By combining a proprietary glass/ceramic hybrid electrolytic tilt sensor, with custom electronics, the SPECTROTILT™ rivals both the performance of higher priced sensors, and the cost of less capable solutions. Features include a +/-60 degree linear sensing range, ESD and EMI protection, aluminum housing, all in a hermetically sealed package.

Designed to operate in the most physically demanding environments, this robust inclinometer is also ideal for numerous other applications. Options include vertical or horizontal mounting. The viscosity of the fluid inside the sensing element can be altered, to decrease susceptibility in high vibration environments. Custom sensing ranges, cable length/type and connectors are also available.



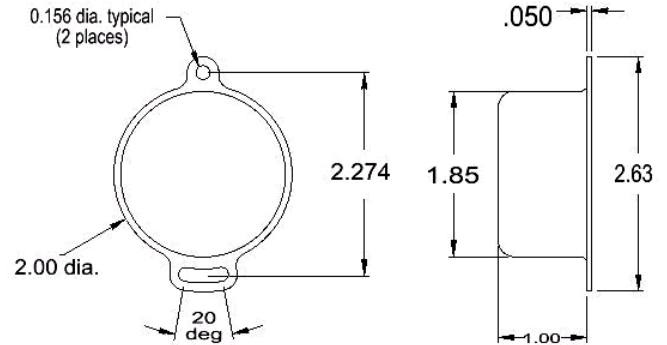
Applications

- Construction Equipment
- Process Monitoring
- Weir Gates
- Leveling Systems
- Drilling Rigs

General Specifications

Input Voltage	+14 to +25Vdc (unregulated)
Input Current	26mA (max.)
Output	0.133mA / degree
Load (preferred)	475 – 510 ohms
Null Output	12mA
Repeatability	0.02 degrees
Resolution	0.001 degrees
Linear Range	+/-60 degrees
Linearity	
• 0 to 10 deg.	0.1 degrees
• 10 to 60 deg.	1% of reading
Temperature Range	
• operating	-40° to +70° C
• storage	-55° to +80° C
Temp. Coefficient of Null	0.008 deg./C°
Temp. Coefficient of Scale	0.1% / C°
Start-up Time	<1 second
Weight	80 grams

Physical Dimensions (inches)



• vertical mounting shown!

Electrical Connections

Black = Ground
 Red = +14 to +25Vdc (unregulated)
 Yellow = Output signal

Ordering Information

<u>Part Number</u>	<u>Description</u>
SSY0185-HIS	Horizontal mount
SSY0185-VIS	Vertical mount

SPECTRON SYSTEMS TECHNOLOGY INC.

595 OLD WILLETS PATH
 HAUPPAUGE NY 11788
 PHONE: 631 582-5600
 FAX: 631 582-5671

www.spectronsensors.com



Specifications are subject to change without notice!

Doc.# SDS-133 -3808