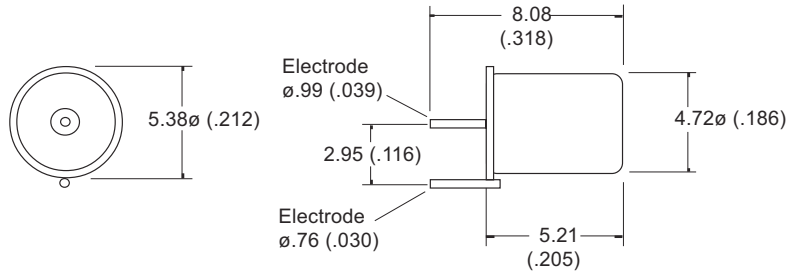


Comus Group of Companies

PRODUCT DATA SHEET

PART NUMBER
MS 24M



Drawings not to scale
All dimensions in mm

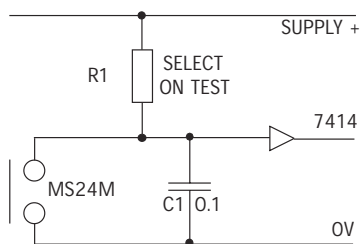
Patent App. 98 09677.9

This miniature non-mercury sensor has been specifically designed for the detection of movement and vibration. The sensor is non position sensitive offering a similar level of sensitivity whatever its position and has been designed for use with analogue or digital circuitry. The sensor reacts when disturbed by giving a fleeting change of state (ie n/o to n/c or vice versa). The time taken to settle depends on the amount of energy absorbed by the device, the settled state will be random unless mounting attitude is chosen for a n/c output. The low contact resistance of this device makes it ideal for incorporating into new or existing designs.

SPECIFICATION

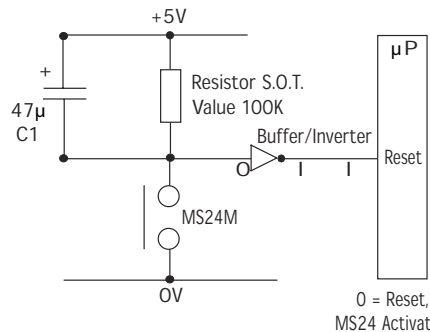
SWITCHING VOLTAGE	Max. Vac	24
SWITCHING CURRENT	Max. A	0.20
SWITCHING CAPACITY	Max. VA	5
OPERATING ANGLE	Max. ?Deg	N/A
CONTACT RESISTANCE	Max. ?	Less than 10
OPERATING TEMPERATURE	Deg. °C	-37° +100°
STORAGE TEMPERATURE	Deg. °C	-40° +125°
CASE MATERIAL		Steel - Gold plated
CABLE/TERMINATION		Pin
FEATURES		Non-mercury contacts Omni-Directional

DAMPING CIRCUIT



The output of the MS24M may be damped when less sensitivity is required by using a Schmitt trigger device as shown. Lowering the value of R1 (100 ohm min) will reduce the sensitivity of the switch.

LOW CURRENT RESET CIRCUIT



Inverter input held at 0V (logic 0) with no disturbance, a charge is permanently held in CI. With movement the MS24M goes momentarily open circuit allowing the charged capacitor to be seen at the inverter input which would change state giving a pulse to reset.

0 = Reset,
MS24 Activated

MOVEMENT / VIBRATION SENSOR
Non Mercury Contacts

PART NUMBER
MS 24M

Rev. No.	Revision Note	Date	Signature
I	Updated dimensions	10-01-06	LG

The Comus Group of Companies consist of:
Assemtech Europe Limited
Comus Electronics India
Comus International
Comus Belgium
Comus France

As part of the company policy of continued product improvement, specifications may change without notice. Our sales office will be pleased to help you with the latest information on this product range and details of our full design and manufacturing service. All products are supplied to our standard conditions of sale otherwise agreed in writing.