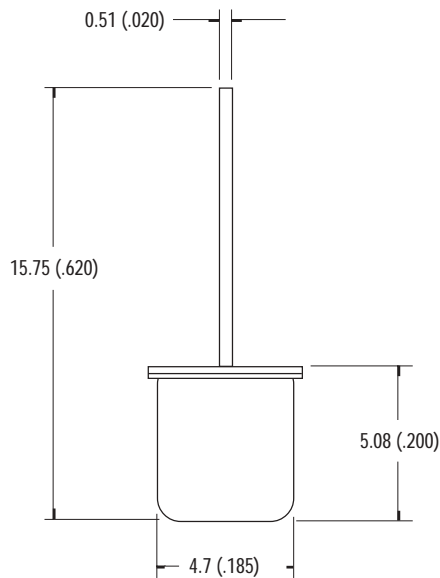
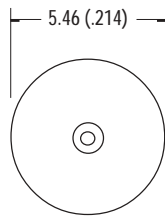


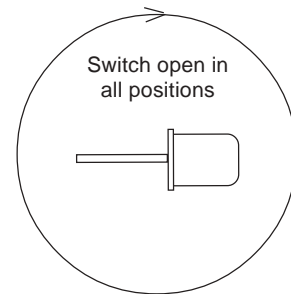
# Comus Group of Companies

# PRODUCT DATA SHEET



Drawings not to scale  
All dimensions in mm (inches)

### CONTACT FORM / STYLE



CM1344 switch is non-position sensitive.

When stationary in any position the contacts are open. Upon vibration or movement the contacts will intermittently close.

## SPECIFICATION

Contact Style		See above
Switching Voltage	Max Vac	120
Switching Current	Max A	0.25
Switching Capacity	Max. VA	-
Contact Resistance	Max. Ω	5
Operating Temperature	Deg °C	-37 to +100
Storage Temperature	Deg °C	-40 +125
Case Material		Steel/tin plated
Cable / Termination		Pin

### MOVEMENT / VIBRATION SENSOR - Mercury Contacts

PART NUMBER  
**CM1344-0**

Rev. No.	Revision Note	Date	Signature
B	Web Site 2001	1-2-01	RG

The Comus Group of Companies consist of:  
Assemtech Europe Limited  
E. Bachem GmbH  
Comus International  
W. Gunther GmbH  
Gunther Belgium  
Gunther France  
S.T.G.

As part of the company policy of continued product improvement, specifications may change without notice. Our sales office will be pleased to help you with the latest information on this product range and details of our full design and manufacturing service. All products are supplied to our standard conditions of sale otherwise agreed in writing.