

# SiC - photodiode JEC 0,1HT



- characteristics :**
- ◆ spectral range 210 ... 380 nm
  - ◆ active area 0.055 mm<sup>2</sup>
  - ◆ high UV - response 0,13 A/W
  - ◆ TO 39-package
  - ◆ suitable for operating temperatures up to 150 °C
  - ◆ components are in conformity with RoHS and WEEE

- applications :**
- ◆ UV-measurement only
  - ◆ UV-source control (for instance in sterilizers)
  - ◆ flamedetection

## maximum ratings:

maximum reverse voltage	20	V
operating temperature range - 25 °C ... 70		°C
storage temperature range -40 °C ... 150		°C
soldering temperature (3s)	260	°C

## technical data :

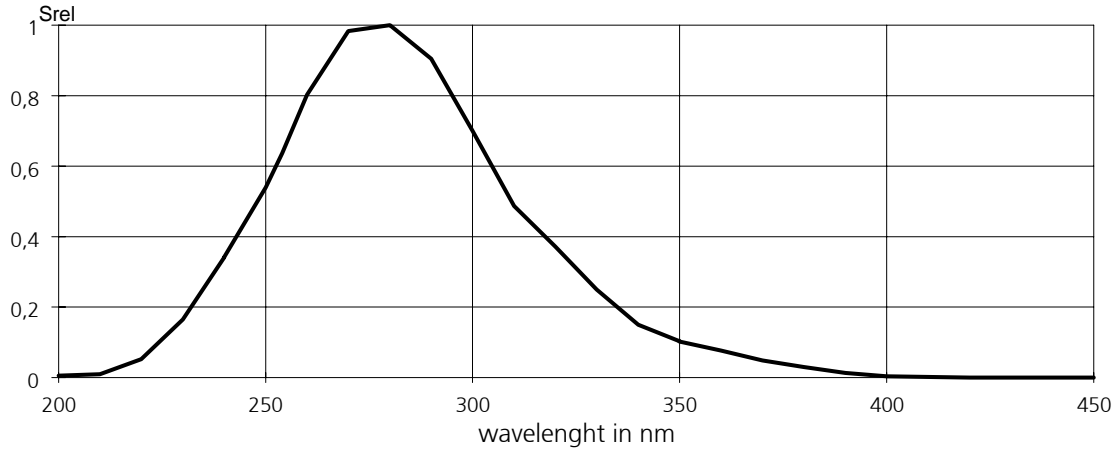
test conditions, as not otherwise specified:  $\gamma_a = 25 \text{ °C}$ ,  $V_R = 0V$

parameters	test conditions	min.	typ.	max.	unit
active area			0.25x 0,25		mm <sup>2</sup>
spectral range		210		380	nm
maximum of spectral responsivity	$\lambda_{\max} = 275 \text{ nm}$		0,13		A/W
absolute spectral responsivity	$\lambda = 254 \text{ nm}$		0,11		A/W
short current (sunlight)	bright sun cloudy		1 0,4		μA
dark current $I_R$	$V_R = 1 \text{ V}$		1		fA
capacitance			21		pF

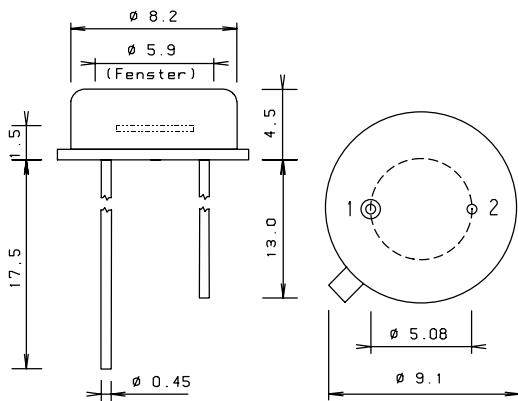
rev 2 (03/2009)

# JEC 0,1HT

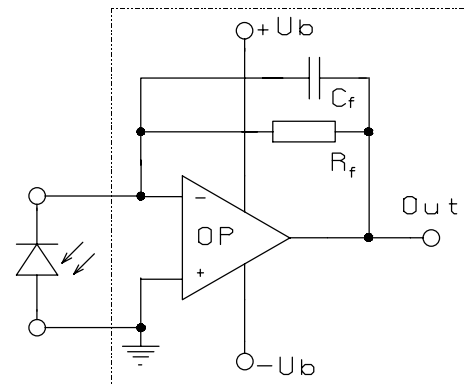
## relative spectral response



## package dimensions



## application example



- 1 Kathode
- 2 Anode & Case

The application example shows a typical circuit.  $R_f$  is responsible for the gain of the circuit.  $C_f$  compensates the reverse junction capacitance of the photodiode and input capacitance of the OPV. The exact value of  $C_f$  depends on  $R_f$ , used OPV and capacitance of the circuit. A typical value is 1 pF.

The diagram shows dependence of amplitude of the application circuit with OPA 111,  $R_f = 50 \text{ M}\Omega$  and  $C_f = 0.5 \text{ pF}$ .

