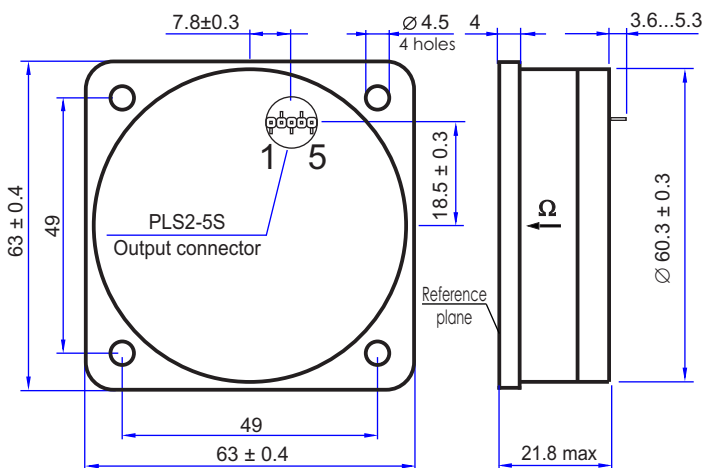
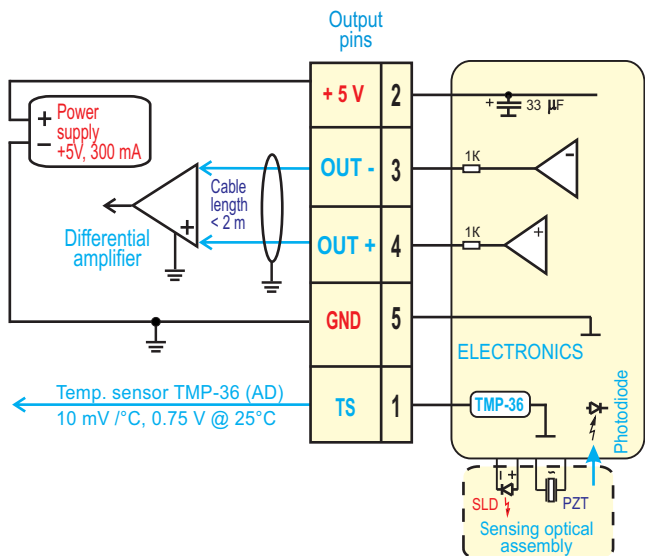


**OUTLINE DRAWING**



**CONNECTION DIAGRAM**



**MAIN PARAMETERS (typical values)**

- ◆ Rate range 230 deg/s
- ◆ Scale Factor (SF) 6 mV/deg/s
- ◆ Frequency range 0... 1 kHz
- ◆ Angle random walk 0.03 deg/√h
- ◆ Bias stability, RMS 3 deg/h
- ◆ SF stability, RMS 0.1 %
- ◆ Readiness time 0.02 s

**ENVIRONMENT**

- ◆◆◆ Temperature operating -30°C ... +70°C
- ◆◆◆ Temperature endurance -55°C... +85°C
- ◆ Vibration (operating), RMS 6 g, 20Hz... 2000Hz
- ◆ Vibration (endurance), RMS 18 g, 20Hz... 2000Hz
- ◆ Shocks (endurance) 350 g, 1 ms
- ◆ Acceleration (operating) 5 g
- ◆ Acceleration (endurance) 20 g, 5 s

**RELIABILITY**

- ◆ MTBF 60000 hours (20°C, predicted)
- ◆◆ Lifetime (predicted) 15 years
- ◆ Precision class - ④
- ◆◆ Estimated for low humidity
- ◆◆◆ Operating temperature - temperature of built-in temperature sensor
- ◆◆◆ Endurance temperature - environment temperature. Sensor is turned off.

**DESCRIPTION OF OUTPUT CONNECTOR PLS2-5S**

Contact	Name	Comments
1	TS	Output of temperature sensor (TMP-36) 10mv per deg.C; 0.75V at 25 deg.C
2	+ 5 V	Power input + 5V ± 0.25V, 200mA max, ripple 10mV max within 0-1MHz
3	OUT -	Analog output (~ - 3 mV/°s), 1V biased to "GND" *
4	OUT +	Analog output (~ + 3 mV/°s), 1V biased to "GND" *
5	GND	Power return line, ground.

\* - sensor's output is a difference between the voltages at 4 and 3 contacts

**RECOMMENDATIONS AND PRECAUTIONS**

1. Do not deform housing
2. Fragile components inside - no shocks, no drop
3. It is recommended to use 2 diagonal screws with elastic washers for mounting.
4. Treat as electrostatic sensitive unit
5. Is designed to be mounted inside water protected equipment
6. Increased humidity shortens essentially lifetime
7. Power must be off during connecting
8. Soldering to contacts - by low-temperature solder

**PHYSICAL PARAMETERS**

1. Ω - sensing axis, 90° ± 1° to the reference plane
2. Dissipation - 1 W
3. Weight - 55 gram ( 80 gram max )
4. Volume - 0.07 litre
5. Housing material - plastic
6. Tolerances per ISO 2768-m
7. Ingress protection class - IP67