

**FEATURE :**

**1.5V OPERATE**

**VERY LOW POWER CONSUMPTION**

**1 CURRENCIES : 1 RATES PRESET & RATE CHANGEABLE.**

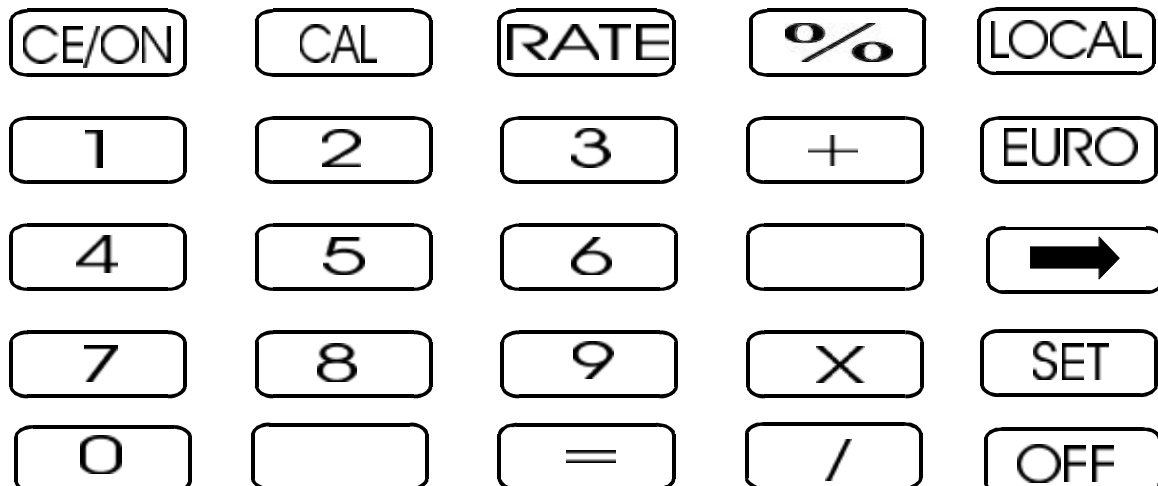
**AUTO DETECT THE EURO RATE.**

**AUTOMATICAL POWER OFF**

**"EURO" AMOUNT IS FIXED TO 2 DEC.PT. ROUND UP.**

**Special Option for ITL, Pte, Esp, Grd ,Bef at 2 DEC.PT. ROUND UP.**

**KEYBOARD**



"CE/ON"

EURO	0.00
LOCAL	0.

"RATE"

EURO	SET 1.00
LOCAL	1.

"6.64168"

EURO	6.64
LOCAL	6.64168

"SET"

EURO	SET 1.00
LOCAL	6.64168

"1"

EURO	0.15
LOCAL	1.

"1"

EURO	1.66
LOCAL	11.

"+"

EURO	
LOCAL	11.

"5"

EURO	
LOCAL	5.

"="

EURO	2.41
LOCAL	16.00

•  
—  
•

EURO	
LOCAL	16.

"11"

EURO	
LOCAL	11.

"="

EURO	0.22
LOCAL	1.45

"+"

EURO	
LOCAL	1.4545454

"1"

EURO	
LOCAL	1.

"="

EURO	0.37
LOCAL	2.45

"EURO"

LOCAL	2.45
EURO	0.37

"+"

LOCAL	
EURO	0.3695669

"2"

LOCAL	
EURO	2.

"="

LOCAL	15.74
EURO	2.37

"LOCAL"

EURO	2.37
LOCAL	15.74

➔

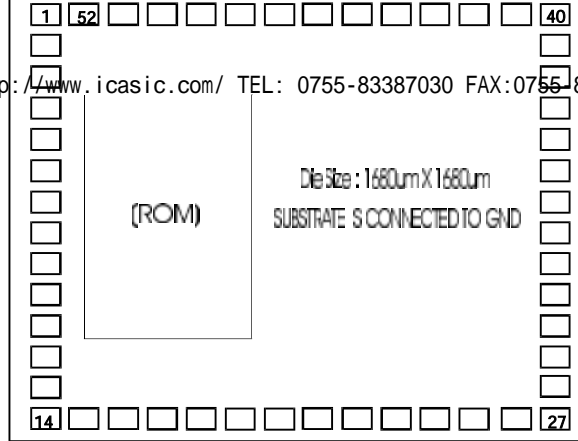
EURO	2.36
LOCAL	15.7

➔

EURO	2.26
LOCAL	15.

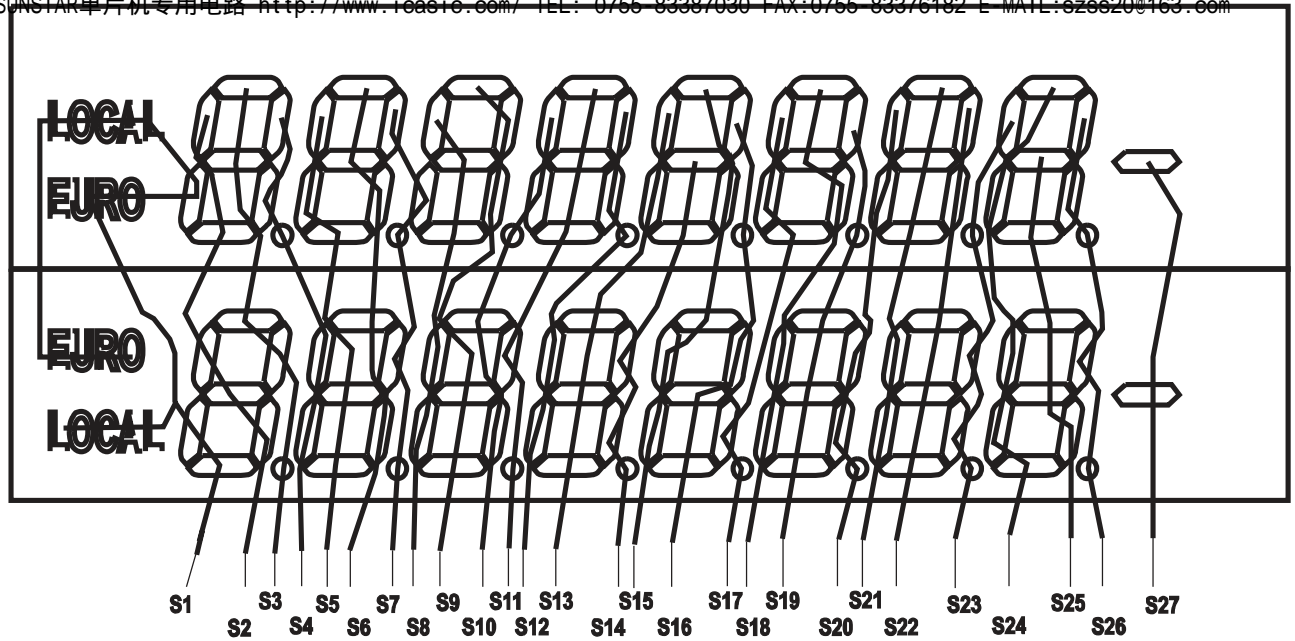
"CAL"

CAL	
	0.



## PIN ASSIGNMENT

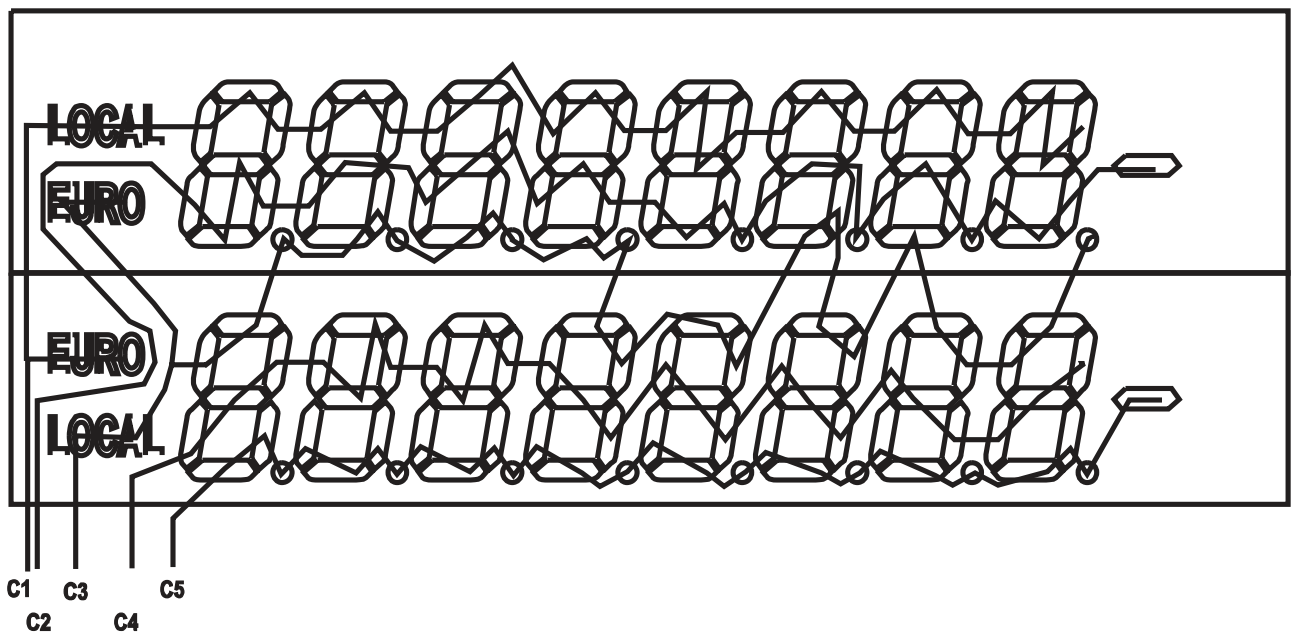
NO	Name	X	Y	NO	Name	X	Y
1	NC	77 5	1602 5	27	SEG10	1602 5	77 5
2	XN	77 5	1472 5	28	SEG11	1602 5	207 5
3	XOUT	77 5	1357 5	29	SEG12	1602 5	322 5
4	GND	77 5	1242 5	30	SEG13	1602 5	437 5
5	VDD1	77 5	1127 5	31	SEG14	1602 5	552 5
6	VDD2	77 5	1012 5	32	SEG15	1602 5	667 5
7	VDD3	77 5	897 5	33	SEG16	1602 5	782 5
8	CUP1	77 5	782 5	34	SEG17	1602 5	897 5
9	CUP2	77 5	667 5	35	SEG18	1602 5	1012 5
10	COM1	77 5	552 5	36	SEG19	1602 5	1127 5
11	COM2	77 5	437 5	37	SEG20	1602 5	1242 5
12	COM3	77 5	322 5	38	SEG21	1602 5	1357 5
13	COM4	77 5	207 5	39	SEG22	1602 5	1472 5
14	COM5	77 5	77 5	40	SEG23	1602 5	1602 5
15	KO1	207 5	77 5	41	SEG24	1472 5	1602 5
16	KO2	322 5	77 5	42	SEG25	1357 5	1602 5
17	KO3	437 5	77 5	43	SEG26	1242 5	1602 5
18	SEG1	552 5	77 5	44	SEG27	1127 5	1602 5
19	SEG2	667 5	77 5	45	K0	1012 5	1602 5
20	SEG3	782 5	77 5	46	K1	897 5	1602 5
21	SEG4	897 5	77 5	47	K2	782 5	1602 5
22	SEG5	1012 5	77 5	48	K3	667 5	1602 5
23	SEG6	1127 5	77 5	49	K4	552 5	1602 5
24	SEG7	1242 5	77 5	50	RESET	437 5	1602 5
25	SEG8	1357 5	77 5	51	OPT	322 5	1602 5
26	SEG9	1472 5	77 5	52	TEST	207 5	1602 5



**VLCD : 4.5v**

**1/5 Duty**

**1/3 Bias**



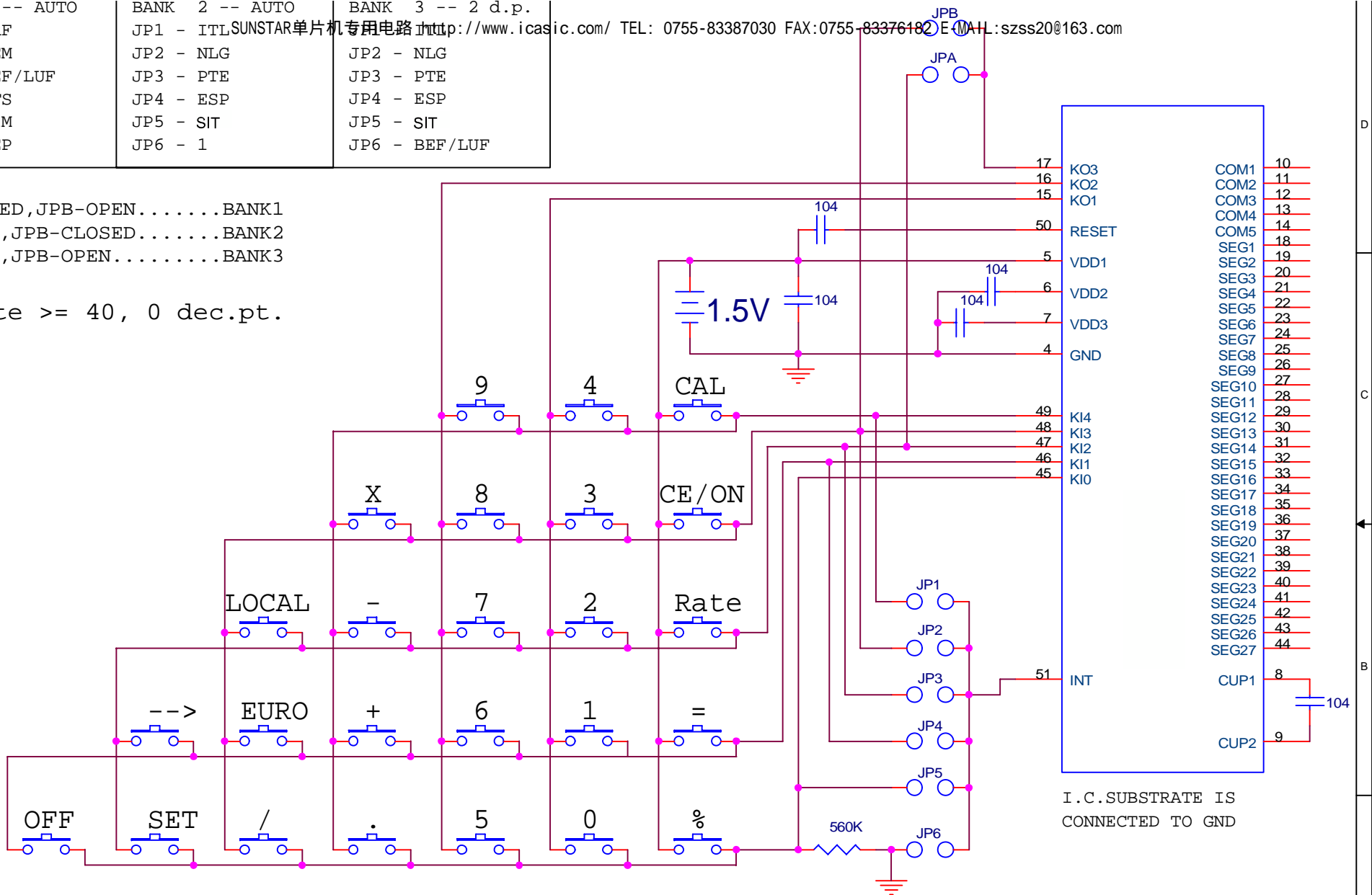
BANK 1 -- AUTO  
 JP1 - FRF  
 JP2 - DEM  
 JP3 - BEF/LUF  
 JP4 - ATS  
 JP5 - FIM  
 JP6 - IEP

BANK 2 -- AUTO  
 JP1 - ITL  
 JP2 - NLG  
 JP3 - PTE  
 JP4 - ESP  
 JP5 - SIT  
 JP6 - 1

BANK 3 -- 2 d.p.  
 JP2 - NLG  
 JP3 - PTE  
 JP4 - ESP  
 JP5 - SIT  
 JP6 - BEF/LUF

JPA-CLOSED,JPB-OPEN.....BANK1  
 JPA-OPEN,JPB-CLOSED.....BANK2  
 JPA-OPEN,JPB-OPEN.....BANK3

AUTO:  
 For Rate >= 40, 0 dec.pt.



I.C.SUBSTRATE IS  
 CONNECTED TO GND

Title		
Size A	Document Number DL5552	Rev
Date: Saturday, December 29, 2001	Sheet 1 of 1	