

## 10 GHz LATCHED COMPARATOR WITH RSECL OUTPUT STAGE



1

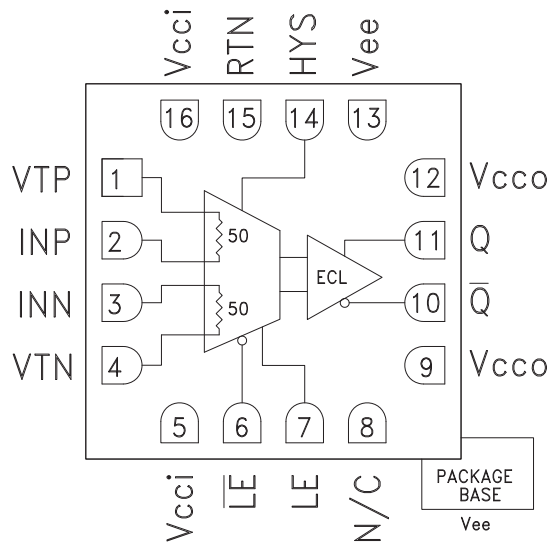
COMPARATORS - SMT

### Typical Applications

The HMC676LC3C is ideal for:

- ATE Applications
- High Speed Instrumentation
- Digital Receiver Systems
- Pulse Spectroscopy
- High Speed Trigger Circuits
- Clock & Data Restoration

### Functional Diagram



### Features

- Propagation Delay: 100 ps
- Overdrive & Slew Rate Dispersion: 10 ps
- Minimum Pulse Width: 60 ps
- Resistor Programmable Hysteresis
- Differential Latch Control
- Active Gain: 45 dB
- Power Dissipation: 120 mW
- RSCML and RSPECL Versions Available
- 16 Lead 3x3mm SMT Package: 9mm<sup>2</sup>

### General Description

The HMC676LC3C is a SiGe monolithic, ultra fast comparator which features reduced swing ECL output drivers and latch inputs. The comparator supports 10 Gbps operation while providing 100 ps propagation delay and 60 ps minimum pulse width with 0.2 ps rms random jitter (RJ). Overdrive and slew rate dispersion are typically 10 ps, making the device ideal for a wide range of applications from ATE to broadband communications. The reduced swing ECL output stage is designed to directly drive 400 mV into 50 Ohms terminated to -2V. The HMC676LC3C features high speed latch and programmable hysteresis and may be configured to operate in either latch mode, or as a tracking comparator.

### Electrical Specifications

$T_A = +25^{\circ}\text{C}^{(1)}$   $V_{cc_i} = +3.3\text{V}$ ,  $V_{cc_o} = 0\text{V}$ ,  $V_{ee} = -3\text{V}$ ,  $V_{TERM} = -2\text{V}$

Parameter	Conditions	Min.	Typ.	Max	Units
Input Voltage Range		-2		2	V
Input Differential Voltage		-1.75		1.75	V
Input Offset Voltage			±5		mV
Input Offset Voltage, Temperature Coefficient			15		µV / °C
Input Bias Current			15		µA
Input Bias Current Temperature Coefficient			50		nA / °C
Input Offset Current			4		µA
Input Impedance			50		Ω
Common Mode Input Impedance			350		KΩ
Differential Input Impedance			15		KΩ
Active Gain			45		dB
Common Mode Rejection Ratio			80		dB
Hysteresis	$R_{hys} = \infty$		±1		mV

For price, delivery and to place orders: Hittite Microwave Corporation, 20 Alpha Road, Chelmsford, MA 01824

SUNSTAR 射频通信 <http://www.hittite.com> TEL:0755-83396822 FAX:0755-83376182 E-MAIL: szss20@163.com

Application Support: Phone: 978-250-3343 or [apps@hittite.com](mailto:apps@hittite.com)

**10 GHz LATCHED COMPARATOR  
 WITH RSECL OUTPUT STAGE**
**Latch Enable Characteristics**

Parameter	Conditions	Min.	Typ.	Max	Units
Latch Enable Input Impedance	Each Pin		8		K $\Omega$
Latch to Output Delay, $t_{PDOL}$ , $t_{PDOH}$	VOD = 200 mV		85		ps
Latch Minimum Pulse Width, $t_{PL}$	VOD = 200 mV		20		ps
Latch Enable Input Range	VOD = 200 mV	1.6		2.4	V
Latch Setup Time, $t_s$	VOD = 200 mV		45		ps
Latch Hold Time, $t_H$			-42		ps

**DC Output Characteristics, with 50 $\Omega$  to Vcco - 2V**

Parameter	Conditions	Min.	Typ.	Max	Units
Output Voltage High Level, Voh		-0.89	-0.89	-0.95	V
Output Voltage Low Level, Vol		-1.21	-1.25	-1.35	V
Output Voltage Differential Swing		320	350	400	mV

**AC Performance**

Parameter	Conditions	Min.	Typ.	Max	Units
Propagation Delay - $t_{PD}$ , $t_{PDL}$ , $t_{PDH}$	VOD = 500 mV	70	100	130	ps
Propagation Delay, Temperature Coefficient			0.45		ps / $^{\circ}$ C
Propagation Delay Skew (Rising to Falling Transition)	VOD = 500 mV		10		ps
VOD Dispersion	50mV < VOD < 1V		10		ps
Tpd vs. Common Mode Dispersion, -1.75V < Vcm < 1.75V	VOD = 500 mV		3		ps
Noise (RTI)			5.9		nV/ $\sqrt{}$ (Hz) RTI
Equivalent Input Bandwidth <sup>[1]</sup>		9	10	16	GHz
Deterministic Jitter (pp)	Deterministic Jitter at 10 Gbps with $\pm$ 100mV Overdrive		2		ps
Random Jitter (rms)	Random Jitter at 10 Gbps with $\pm$ 100mV Overdrive		0.2		ps rms
Minimum Pulse Width			60		ps
Q / QB Rise Time	From 20% to 80%		23		ps
Q / QB Fall Time	From 20% to 80%		13		ps

**Power Supply Requirements**

Parameter	Conditions	Min.	Typ.	Max	Units
Input Supply Current, IccI			8		mA
Output Supply Current, Icco			45		mA
Vee Current, Iee			16		mA
Power Dissipation, Pd			120		mW
PSRR, Vcci			38		dB
PSRR, Vee			38		dB

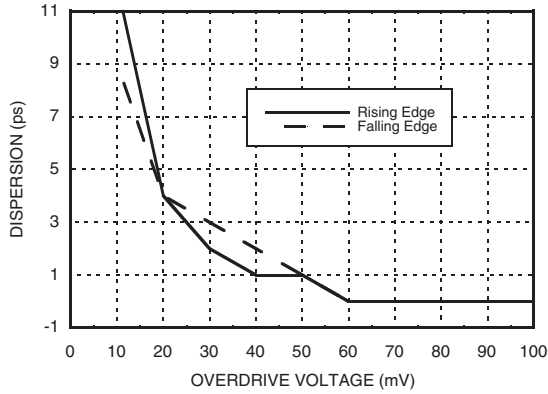
Note 1: Equivalent Input Bandwidth is calculated with the following formula:  $B_{weq} = 0.22 / (TRCOMP^2 \cdot TRIN^2)$  where TRIN is the 20%/80% transition time of a quasi-Gaussian signal applied to the comparator input, and TRCOMP is the effective transition time digitized by the comparator.

### 10 GHz LATCHED COMPARATOR WITH RSECL OUTPUT STAGE

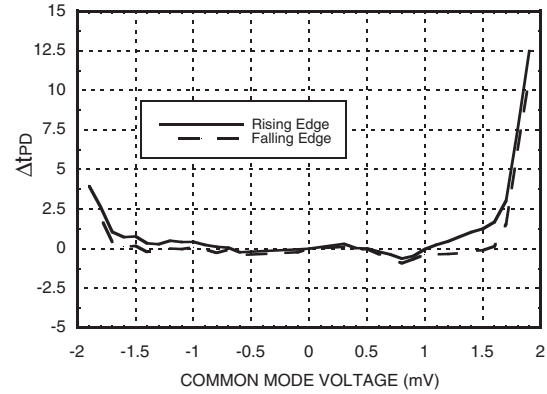
1

COMPARATORS - SMT

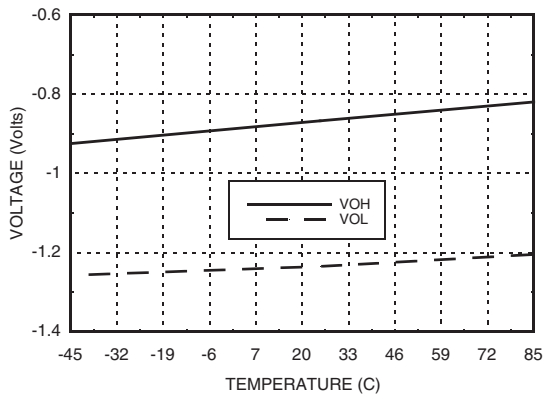
**Dispersion vs. Overdrive Voltage**



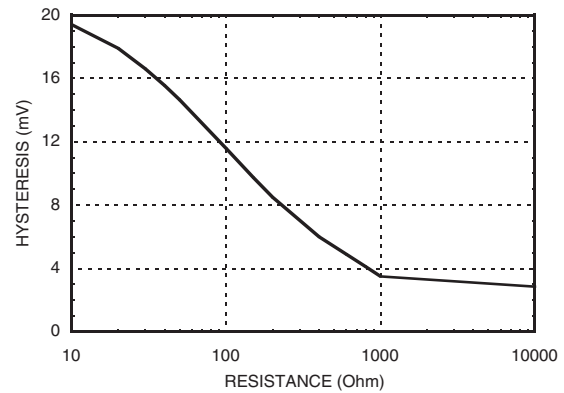
**Propagation Delay vs. Common Mode**



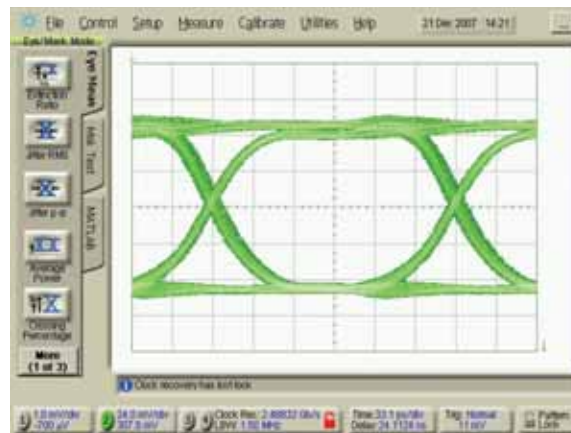
**Output Voltage vs. Temperature**



**Comparator Hysteresis vs. Rhys Control Resistor**



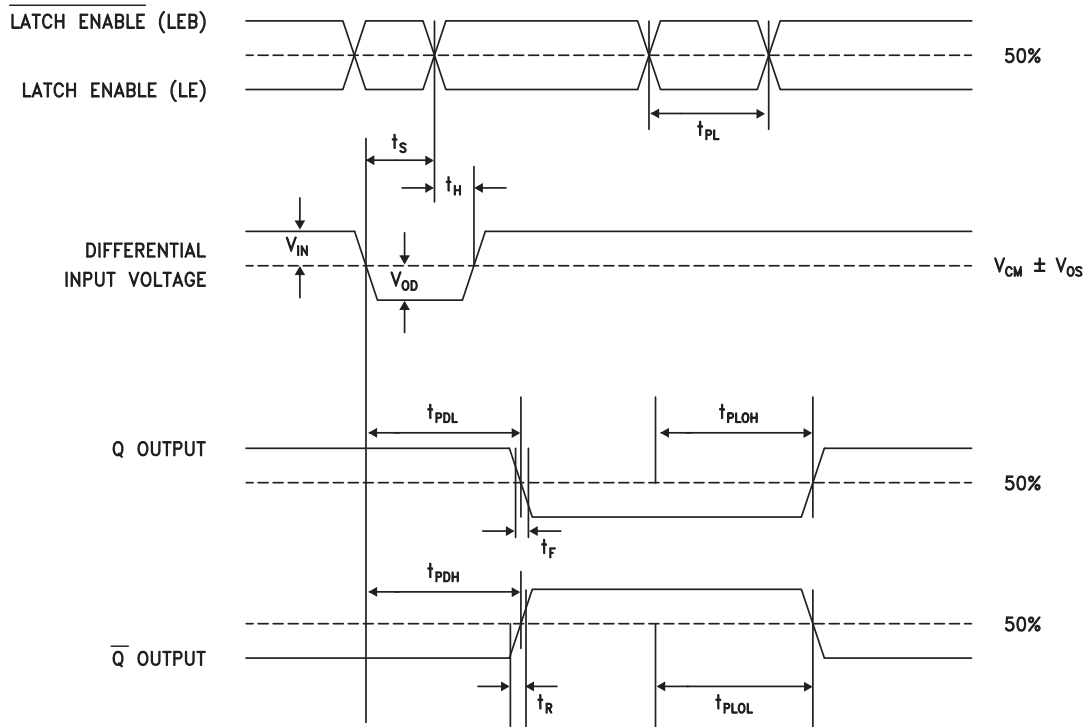
**Eye Diagram**



**10 GHz LATCHED COMPARATOR  
 WITH RSECL OUTPUT STAGE**



**Timing Diagram**



Symbol	Timing	Description
$t_{PDH}$	Input to output high delay	Propagation delay measured from the time the input signal crosses the reference ( $\pm$ the input offset voltage) to the 50% point of an output low-to-high transition.
$t_{PDL}$	Input to output low delay	Propagation delay measured from the time the input signal crosses the reference ( $\pm$ the input offset voltage) to the 50% point of an output high-to-low transition.
$t_{PLDH}$	Latch enable to output high delay	Propagation delay measured from the 50% point of the latch enable signal low-to-high transition to the 50% point of an output low-to-high transition.
$t_{PLDL}$	Latch enable to output low delay	Propagation delay measured from the 50% point of the latch enable signal low-to-high transition to the 50% point of an output high-to-low transition.
$t_H$	Minimum hold time	Minimum time after the negative transition of the latch enable signal that the input signal must remain unchanged to be acquired and held at the outputs.
$t_{PL}$	Minimum latch enable pulse width	Minimum time that the latch enable signal must be high to acquire an input signal change.
$t_s$	Minimum setup time	Minimum time before the negative transition of the latch enable signal that an input signal change must be present to be acquired and held at the outputs.
$t_R$	Output rise time	Amount of time required to transition from a low to a high output as measured at the 20% and 80% points.
$t_f$	Output fall time	Amount of time required to transition from a high to a low output as measured at the 20% and 80% points.
$V_{OD}$	Voltage overdrive	Difference between the input voltages $V_A$ and $V_B$ .



### 10 GHz LATCHED COMPARATOR WITH RSECL OUTPUT STAGE

COMPARATORS - SMT

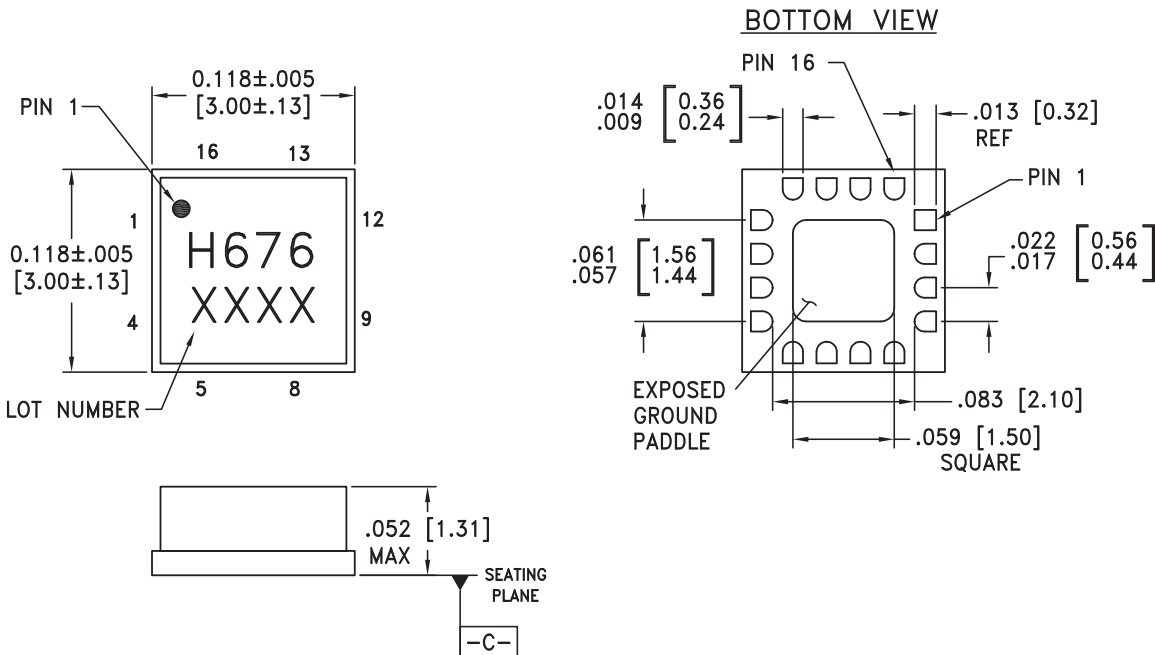
#### Absolute Maximum Ratings

Input Supply Voltage (Vcc1 to GND)	-0.5V to +4V
Output Supply Voltage (Vcc0 to GND)	-0.5V to +4V
Positive Supply Differential (Vcc1 - Vcc0)	-0.5V to +3V
Input Voltage	-2V to +2V
Differential Input Voltage	-2V to +2V
Input Voltage, Latch Enable	-0.5V to Vcc1 +0.5V
Applied Voltage (HYS)	Vee to GND
Maximum Input Current	±1 mA
Output Current	40 mA
Storage Temperature	-65°C to +150°C
Junction Temperature	125°C
Continuous P <sub>diss</sub> (T = 85°C) (Derate 20.4 mW/°C above 85°C)	0.816 W
Thermal Resistance (R <sub>th</sub> ) (Junction to Lead)	49 °C/W
Operating Temperature	-40°C to +85°C



ELECTROSTATIC SENSITIVE DEVICE  
OBSERVE HANDLING PRECAUTIONS

#### Outline Drawing



NOTES:

1. PACKAGE BODY MATERIAL: ALUMINA
2. LEAD AND GROUND PADDLE PLATING:  
30-80 MICROINCHES GOLD OVER 50 MICROINCHES MINIMUM NICKEL.
3. DIMENSIONS ARE IN INCHES (MILLIMETERS).
4. LEAD SPACING TOLERANCE IS NON-CUMULATIVE.
5. PACKAGE WARP SHALL NOT EXCEED 0.05mm DATUM -C-
6. ALL GROUND LEADS MUST BE SOLDERED TO PCB RF GROUND.
7. PADDLE MUST BE SOLDERED TO V<sub>ee</sub>.



**10 GHz LATCHED COMPARATOR  
WITH RSECL OUTPUT STAGE**

**Pin Descriptions**

Pin Number	Function	Description	Interface Schematic
1	VTP	Termination resistor return pin for Vp Input.	
2	INP	Non-Inverting analog input	
3	INN	Inverting analog input	
4	VTN	Termination resistor return pin for Vn input	
5, 16	Vcci	Positive supply voltage input stage.	
6	$\overline{LE}$	Latch enable bar input pin, inverting side.	
7	LE	Latch enable input pin, non-inverting side.	
8	N/C	Pin is not connected inside the package. Connect package pin to GND for improved noise.	
9, 12	Vcco	Positive supply voltage for the output stage.	
10	$\overline{Q}$	Inverting output. Q bar is at logic low if the analog voltage at the non-inverting input, INP, is greater than the analog voltage at the inverting input, INN, provided that the comparator is in compare mode. Refer to the LE/LE bar descriptions (pins 6, 7) for more information.	
11	Q	Non-inverting output. Q is at logic high if the analog voltage at the non-inverting input, INP, is greater than the analog voltage at the inverting input, INN, provided that the comparator is in compare mode. Refer to the LE/LE bar descriptions (pins 6, 7) for more information.	
14	HYS	Hysteresis Control pin. This pin should be left disconnected for zero hysteresis. Connect to Vee with a resistor to add the desired amount of hysteresis. Refer to Figure on page 6-42. to determine the correct sizing of Rhys hysteresis control resistor.	
13	Vee	Negative power supply, -3V.	
15	RTN	Return for ESD protection.	
	Package Base	Exposed paddle must be connected to Vee.	

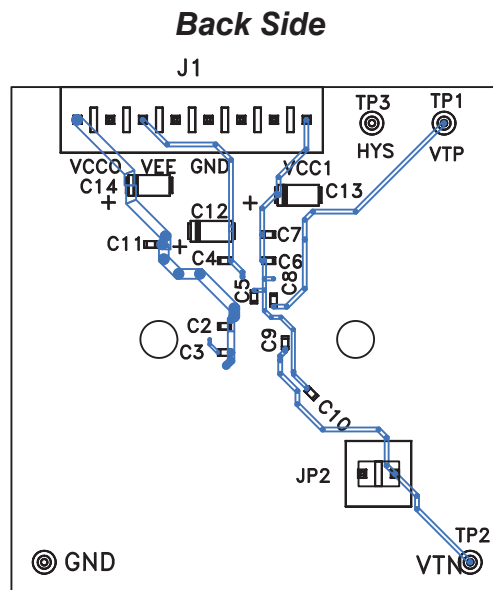
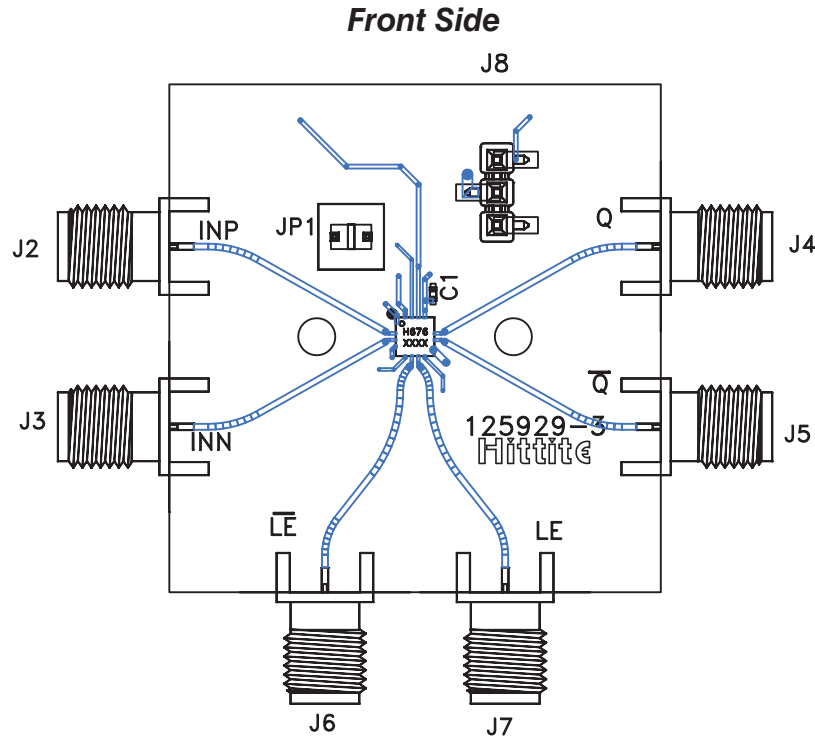
### 10 GHz LATCHED COMPARATOR WITH RSECL OUTPUT STAGE



1

COMPARATORS - SMT

#### Evaluation PCB



**10 GHz LATCHED COMPARATOR  
WITH RSECL OUTPUT STAGE**



**List of Materials for Evaluation PCB 125932 [1]**

Item	Description
J1	8 Pos. Vertical TIN
J2 - J7	2.92 mm 40 GHz Jack
J8	Terminal Strip, Single Row 3 Pin SMT
JP1, JP2	2 Pos. Vertical TIN
C1 - C3, C5, C6, C8 - C10	100 pF Capacitor, 0402 Pkg.
C4, C7, C11	330 pF Capacitor, 0402 Pkg.
C11 - C13	4.7 uF Tantalum
TP1 - TP4	DC Pin, Swage Mount
U1	HMC676LC3C Comparator
PCB	125929 Evaluation PCB

The circuit board used in the application should use RF circuit design techniques. Signal lines should have 50 Ohm impedance while the package ground leads should be connected directly to the ground plane similar to that shown. A sufficient number of via holes should be used to connect the top and bottom ground planes in order to provide good RF grounding to 25 GHz. The evaluation circuit board shown is available from Hittite upon request.

[1] Reference this number when ordering complete evaluation PCB

[2] Circuit Board Material: Rogers 4350 or Arlon 25FR

**Application Circuit**

