

**FRACTIONAL-N SYNTHESIZER w/ INTEGRATED VCO**  
**665 - 825, 1330 - 1650, 2660 - 3300 MHz**

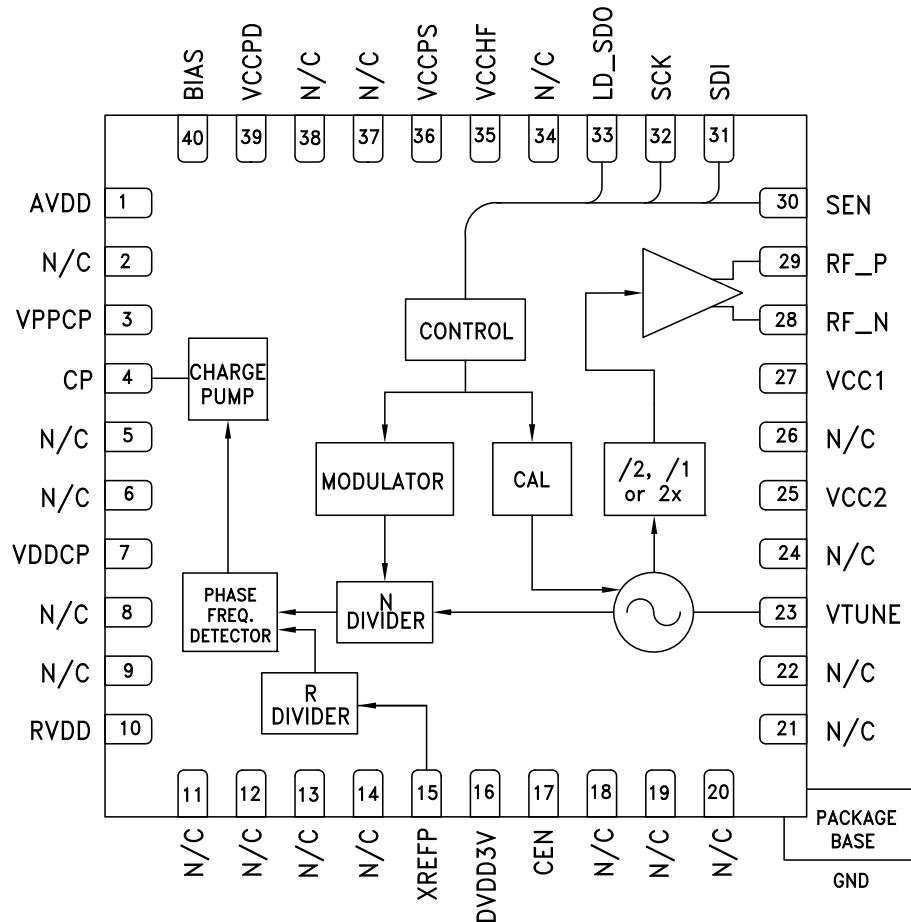
**Features**

- RF Bandwidth:  
665 - 825, 1330 - 1650, 2660 - 3300 MHz
- Fractional or Integer Modes
- 19-Bit Prescaler
- Ultra Low Phase Noise  
-105 dBc/Hz in Band Typ.
- Figure of Merit (FOM)  
-227 dBc Integer
- 24-bit Step Size, Resolution 3 Hz typ
- 200 MHz, 14-bit Reference Path Input
- Cycle Slip Prevention
- Read / Write Serial Port, Chip ID
- 40 Lead 6x6mm SMT Package: 36mm<sup>2</sup>

**Typical Applications**

- Cellular/4G Infrastructure
- Repeaters and Femtocells
- Communications Test Equipment
- CATV Equipment
- Phased Array Applications
- DDS Replacement
- Very High Data Rate Radios

**Functional Diagram**



**FRACTIONAL-N SYNTHESIZER w/ INTEGRATED VCO**  
**665 - 825, 1330 - 1650, 2660 - 3300 MHz**
**General Description**

The HMC822LP6CE is a fully featured Fractional-N Phase-Locked-Loop (PLL) Frequency Synthesizer with an Integrated Voltage Controlled Oscillator (VCO). The synthesizer consists of an integrated low noise VCO with a tri-band output, an autocalibration subsystem for low voltage VCO tuning, a very low noise digital Phase Detector (PD), a precision controlled charge pump, a low noise reference path divider and a fractional divider.

The fractional synthesizer features an advanced delta-sigma modulator design that allows both ultra-fine step sizes and low spurious products. The phase detector (PD) features cycle slip prevention (CSP) technology to allow faster frequency hopping times. Ultra low in-close phase noise and low spurious also allows wider loop bandwidths for faster frequency hopping and low micro-phonics.

For theory of operation and register map refer to the "PLLs w/ Integrated VCOs - RF VCOs" Operating Guide. To view the [Operating Guide](#), please visit [www.hittite.com](http://www.hittite.com) and choose HMC822LP6CE from the "Search by Part Number" pull down menu.

**Electrical Specifications,  $T_A = +25^\circ C$** 

**VPPCP, VDDCP, VCC1, VCC2 = 5V  $\pm$ 4%; RVDD, AVDD, DVDD3V, VCCPD, VCCHF, VCCPS = 3.3V  $\pm$ 6% GNDCP = GNDLS = Ground Paddle = 0V**

| Parameter                           | Condition  | Min. | Typ.            | Max.            | Units |
|-------------------------------------|--|------|-----------------|-----------------|-------|
| <b>RF Output Characteristics</b>    |  |      |                 |                 |       |
| VCO Frequency at PLL Input          |  | 1330 |                 | 1650            | MHz   |
| RF Output Frequency at $f_{VCO}/2$  |  | 665  |                 | 825             | MHz   |
| RF Output Frequency at $f_{VCO}$    |  | 1330 |                 | 1650            | MHz   |
| RF Output Frequency at $2f_{VCO}$   |  | 2660 |                 | 3300            | MHz   |
| RF Output Power at $f_{VCO}/2$      |  | 9    | 11              | 13              | dBm   |
| RF Output Power at $f_{VCO}$        |  | 2.5  | 6.5             | 10.5            | dBm   |
| RF Output Power at $2f_{VCO}$       |  | -9   | -4              | 1               | dBm   |
| VCO Tuning Sensitivity              | Measured at $f_o$ , 2V   |      | 15              |                 | MHz/V |
| VCO Supply Pushing                  | Measured at $f_o$ , 2V   | -2   |                 | 1.5             | MHz/V |
| RF Output $f_o/2$ Harmonic          | Doubler Mode   |      | -22             | -18             | dBc   |
| RF Output $3f_o/2$ Harmonic         | Doubler Mode   |      | -50             | -41             | dBc   |
| RF Output 2nd Harmonic              | $f_o/2/f_o/2f_o$   |      | -26 / -30 / -42 | -22 / -19 / -36 | dBc   |
| RF Output 5 $f_o/2$ Harmonic        | Doubler Mode   |      | -60             | -56             | dBc   |
| RF Output 3rd Harmonic              | $f_o/2/f_o/2f_o$   |      | -27 / -40 / -60 | -23 / -32 / -51 | dBc   |
| RF Output 7 $f_o/2$ Harmonic        | Doubler Mode   |      | -65             | -61             | dBc   |
| <b>RF Divider Characteristics</b>   |  |      |                 |                 |       |
| 19-Bit N-Divider Range (Integer)    | Max = $2^{19} - 1$   |      |                 | 524,287         |       |
| 19-Bit N-Divider Range (Fractional) | Fractional nominal divide ratio varies (-3 / +4) dynamically max |      |                 | 524,283         |       |
| <b>REF Input Characteristics</b>    |  |      |                 |                 |       |
| Max Rep Input Frequency             |  | 200  |                 |                 | MHz   |
| Max Ref Frequency with AutoCal      |  |      | <b>TBD</b>      |                 | MHz   |
| Min Ref Input Frequency             |  |      | 100             |                 | kHz   |
| Ref Input Range                     | AC Coupled   | 1.5  | 2               | 3.3             | Vpp   |
| Ref Input Capacitance               |  |      |                 | 5               | pF    |
| 14-Bit R-Divider Range              |  | 1    |                 | 16,383          |       |



MICROWAVE CORPORATION v02.1109



AR 射频光电 <http://www.rfocoe.net/> TEL:0755-83396822 FAX:0755-83376182 E-MAIL: szss20@163.com

# HMC822LP6CE

## FRACTIONAL-N SYNTHESIZER w/ INTEGRATED VCO 665 - 825, 1330 - 1650, 2660 - 3300 MHz

### Electrical Specifications (Continued)

| Parameter                                | Condition  | Min.       | Typ. | Max.      | Units  |
|--|--|------------|------|-----------|--------|
| <b>Phase Detector (PD)</b>               |  |            |      |           |        |
| PD Frequency Fractional Mode             | Max PD Freq. Min VCO Freq/20                                 | 0.1        |      |           | MHz    |
| PD Frequency Integer Mode                | Max PD Freq. Min VCO Freq/16                                 | 0.1        |      | 110       | MHz    |
| <b>Charge Pump</b>                       |  |            |      |           |        |
| Max Output Current                       |  |            | 2.54 |           | mA     |
| Min Output Current                       |  |            | 20   |           | μA     |
| Charge Pump Gain Step Size (5-Bits)      |  |            | 20   |           | μA     |
| Charge Pump Offset Step Size (4-Bits)    |  |            | 5    |           | μA     |
| PD/Charge Pump Noise                     | 50 MHz Ref, Input Referred, Integer, add 6 dB for Fractional |            |      |           |        |
| 1 kHz                                    |  |            | -141 |           | dBc/Hz |
| 10 kHz                                   |  |            | -149 |           | dBc/Hz |
| 100 kHz                                  |  |            | -155 |           | dBc/Hz |
| Compliance Voltage                       | Less than 3 dB degradation typ. at these limits              |            |      |           |        |
|  | -385 μA Offset   | 0.4        |      | VPPCP-0.8 | V      |
|  | +385 μA Offset   | 0.8        |      | VPPCP-0.4 | V      |
| <b>Logic Inputs</b>                      |  |            |      |           |        |
| VIH Input High Voltage                   |  | DVDD3V-0.4 |      | DVDD3V    | V      |
| VIL Input Low Voltage                    |  | 0          |      | 0.4       | V      |
| <b>Logic Outputs</b>                     |  |            |      |           |        |
| VOH Output High Voltage                  |  | DVDD3V-0.4 |      | DVDD3V    | V      |
| VOL Output Low Voltage                   |  | 0          |      | 0.4       | V      |
| <b>Power Supply Voltages</b>             |  |            |      |           |        |
| Analog 3.3V Supplies                     | AVDD, VCCHF, VCCPS, VCCPD, RVDD                              | 3.0        | 3.3  | 3.5       | V      |
| Digital Supply                           | DVDD3V   | 3.0        | 3.3  | 3.5       | V      |
| Analog 5V Supplies                       | VPPCP, VDDCP, VCC1, VCC2                                     | 4.8        | 5    | 5.2       | V      |
| <b>Power Supply Currents</b>             |  |            |      |           |        |
| +5V Analog Charge Pump                   | VPPCP, VDDCP   |            | 5.3  |           | mA     |
| +5V VCO Core and PLL Buffer              | VCC2   |            | 56   |           | mA     |
| +5V VCO Divider and RF Buffer            | VCC1   |            | 36   |           | mA     |
| +3.3V Analog                             | AVDD, VCCHF, VCCPS, VCCPD, RVDD                              |            | 45   |           | mA     |
| +3.3V Digital                            | DVDD3V   |            | 6.5  |           | mA     |
| Power Down - Crystal Off                 | Reg 01h=0, Crystal Not Clocked                               |            | 10   |           | μA     |
| Power Down - Crystal On, 100 MHz         | Reg 01h=0, Crystal Clocked 100 MHz                           |            | 10   | 200       | μA     |
| <b>Power on Reset</b>                    |  |            |      |           |        |
| Typical Reset Voltage on DVDD            |  |            | 700  |           | mV     |
| Min DVDD Voltage for No Reset            |  | 1.5        |      |           | V      |
| Power on Reset Delay                     |  |            | 250  |           | μs     |
| <b>VCO Open Loop Phase Noise at fo/2</b> |  |            |      |           |        |
| 10 kHz Offset                            |  |            | -95  | -89       | dBc/Hz |

For price, delivery and to place orders: Hittite Microwave Corporation, 20 Alpha Road, Chelmsford, MA 01824

SUNSTAR 射频通信 <http://www.rfocoe.net/> TEL:0755-83396822 FAX:0755-83376182 E-MAIL: szss20@163.com

Application Support: Phone: 978-250-3343 or [apps@hittite.com](mailto:apps@hittite.com)



MICROWAVE CORPORATION v02.1109



# HMC822LP6CE

## FRACTIONAL-N SYNTHESIZER w/ INTEGRATED VCO 665 - 825, 1330 - 1650, 2660 - 3300 MHz

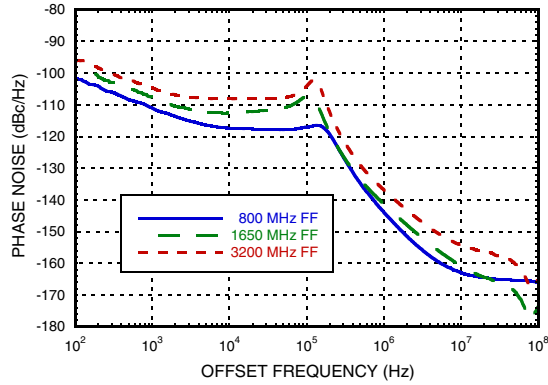
### Electrical Specifications (Continued)

| Parameter   | Condition                                 | Min. | Typ. | Max. | Units  |
|---|---|------|------|------|--------|
| 100 kHz Offset  |   |      | -124 | -121 | dBc/Hz |
| 1 MHz Offset  |   |      | -148 | -145 | dBc/Hz |
| 10 MHz Offset   |   |      | -162 |      | dBc/Hz |
| 100 MHz Offset  |   |      | -163 |      | dBc/Hz |
| <b>VCO Open Loop Phase Noise at fo</b>                        |   |      |      |      |        |
| 10 kHz Offset   |   |      | -89  | -83  | dBc/Hz |
| 100 kHz Offset  |   |      | -118 | -115 | dBc/Hz |
| 1 MHz Offset  |   |      | -142 | -139 | dBc/Hz |
| 10 MHz Offset   |   |      | -162 |      | dBc/Hz |
| 100 MHz Offset  |   |      | -164 |      | dBc/Hz |
| <b>VCO Open Loop Phase Noise at 2fo</b>                       |   |      |      |      |        |
| 10 kHz Offset   |   |      | -83  | -83  | dBc/Hz |
| 100 kHz Offset  |   |      | -112 | -115 | dBc/Hz |
| 1 MHz Offset  |   |      | -136 | -139 | dBc/Hz |
| 10 MHz Offset   |   |      | -155 |      | dBc/Hz |
| 100 MHz Offset  |   |      | -160 |      | dBc/Hz |
| <b>Closed Loop Phase Noise PLL + VCO at f<sub>vco</sub>/2</b> |   |      |      |      |        |
| Integer, 25 MHz PD  | 1 kHz Offset                              |      | -113 |      | dBc/Hz |
| Integer, 25 MHz PD  | 10 kHz Offset                             |      | -118 |      | dBc/Hz |
| Integer, 25 MHz PD  | 100 kHz Offset                            |      | -118 |      | dBc/Hz |
| Fractional, 25 MHz PD   | 1 kHz Offset                              |      | -109 |      | dBc/Hz |
| Fractional, 25 MHz PD   | 10 kHz Offset                             |      | -111 |      | dBc/Hz |
| Fractional, 25 MHz PD   | 100 kHz Offset                            |      | -116 |      | dBc/Hz |
| <b>Closed Loop Phase Noise PLL + VCO at f<sub>vco</sub></b>   |   |      |      |      |        |
| Integer, 25 MHz PD  | 1 kHz Offset                              |      | -107 |      | dBc/Hz |
| Integer, 25 MHz PD  | 10 kHz Offset                             |      | -112 |      | dBc/Hz |
| Integer, 25 MHz PD  | 100 kHz Offset                            |      | -112 |      | dBc/Hz |
| Fractional, 25 MHz PD   | 1 kHz Offset                              |      | -103 |      | dBc/Hz |
| Fractional, 25 MHz PD   | 10 kHz Offset                             |      | -105 |      | dBc/Hz |
| Fractional, 25 MHz PD   | 100 kHz Offset                            |      | -110 |      | dBc/Hz |
| <b>Closed Loop Phase Noise PLL + VCO at 2fo</b>               |   |      |      |      |        |
| Integer, 25 MHz PD  | 1 kHz Offset                              |      | -101 |      | dBc/Hz |
| Integer, 25 MHz PD  | 10 kHz Offset                             |      | -106 |      | dBc/Hz |
| Integer, 25 MHz PD  | 100 kHz Offset                            |      | -106 |      | dBc/Hz |
| Fractional, 25 MHz PD   | 1 kHz Offset                              |      | -97  |      | dBc/Hz |
| Fractional, 25 MHz PD   | 10 kHz Offset                             |      | -99  |      | dBc/Hz |
| Fractional, 25 MHz PD   | 100 kHz Offset                            |      | -104 |      | dBc/Hz |
| <b>Figure of Merit</b>  |   |      |      |      |        |
|   | Normalized 1 Hz                           |      |      |      |        |
| Integer Mode  | Measured w/ 50 MHz PD<br>at 30 kHz Offset |      | -227 |      | dBc/Hz |
| Fractional Mode   | Measured w/ 50 MHz PD<br>at 30 kHz Offset |      | -225 |      | dBc/Hz |

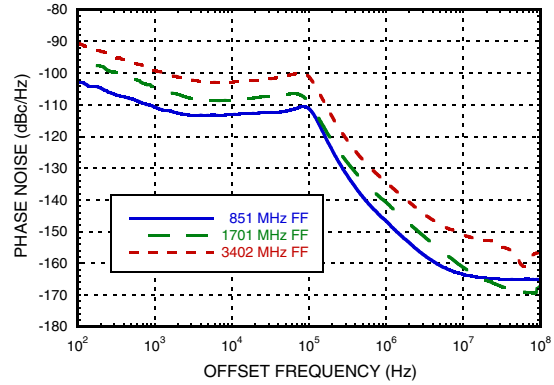


**FRACTIONAL-N SYNTHESIZER w/ INTEGRATED VCO**  
**665 - 825, 1330 - 1650, 2660 - 3300 MHz**

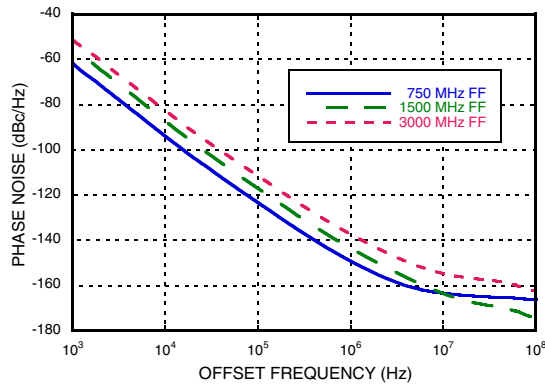
**Closed Loop Integer Phase Noise**



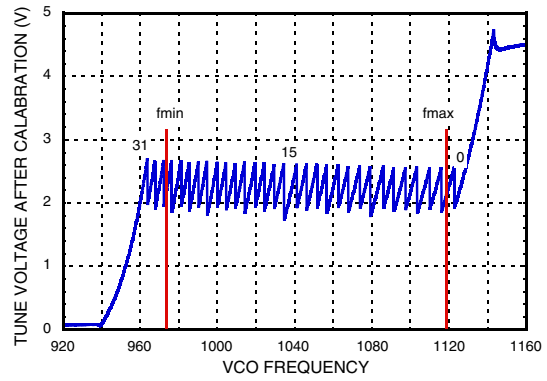
**Typical Closed Loop Fractional Phase Noise [1]**



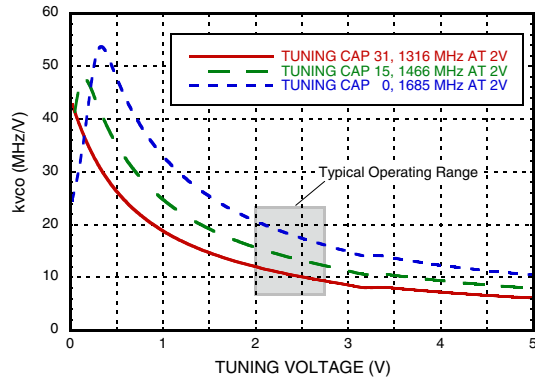
**Free Running Phase Noise**



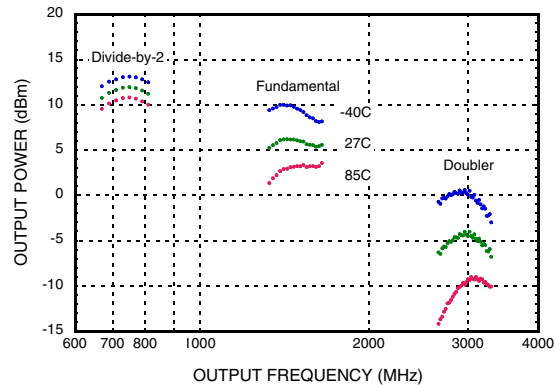
**Typical VCO Sensitivity vs. Cap @ Fo Voltage**



**Typical VCO Sensitivity vs. Cap @ Fo Voltage**



**Typical Output Power - Narrow Band Match**

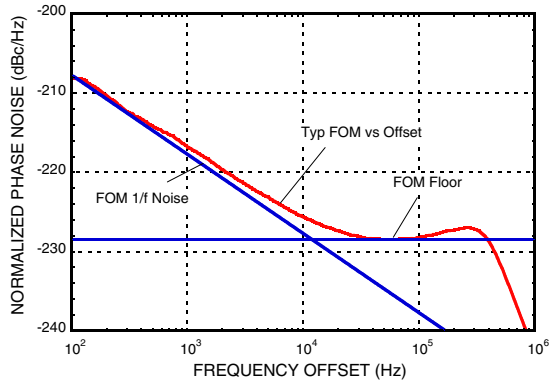


[1] Fractional Mode, 50 MHz Crystal, R=1, ~80 kHz Loop BW, (Loop filter values: Contact factory for component values) 2mA Charge Pump, -385µA Offset.



**FRACTIONAL-N SYNTHESIZER w/ INTEGRATED VCO**  
**665 - 825, 1330 - 1650, 2660 - 3300 MHz**

**Figure of Merit**





MICROWAVE CORPORATION v02.1109



AR 射频光电 <http://www.rfocoe.net/> TEL:0755-83396822 FAX:0755-83376182 E-MAIL: szss20@163.com

# HMC822LP6CE

## FRACTIONAL-N SYNTHESIZER w/ INTEGRATED VCO 665 - 825, 1330 - 1650, 2660 - 3300 MHz

### Pin Descriptions

| Pin Number  | Function            | Description   |
|---|---------------------|---|
| 1   | AVDD                | DC Power Supply for analog circuitry.   |
| 2, 5, 6, 8, 9,<br>11 - 14, 18 - 22, 24,<br>26, 34, 37, 38 | N/C                 | The pins are not connected internally; however, all data shown herein was measured with these pins connected to RF/DC ground externally.  |
| 3   | VPPCP               | Power Supply for charge pump analog section   |
| 4   | CP                  | Charge Pump Output  |
| 7   | VDDCP               | Power Supply for the charge pump digital section  |
| 10  | RVDD                | Reference Supply  |
| 15  | XREFP               | Reference Oscillator Input  |
| 16  | DVDD3V              | DC Power Supply for Digital (CMOS) Circuitry  |
| 17  | CEN                 | Chip Enable. Connect to logic high for normal operation.  |
| 23  | VTUNE               | VCO Varactor. Tuning Port Input.  |
| 25  | VCC2                | VCO Analog Supply 2   |
| 27  | VCC1                | VCO Analog Supply 1   |
| 28  | RF_N <sup>[1]</sup> | RF Positive Output  |
| 29  | RF_P <sup>[1]</sup> | RF Negative Output  |
| 30  | SEN                 | PLL Serial Port Enable (CMOS) Logic Input   |
| 31  | SDI                 | PLL Serial Port Data (CMOS) Logic Input   |
| 32  | SCK                 | PLL Serial Port Clock (CMOS) Logic Input  |
| 33  | LD_SDO              | Lock Detect, or Serial Data, or General Purpose (CMOS) Logic Output (GPO)   |
| 35  | VCCHF               | DC Power Supply for Analog Circuitry  |
| 36  | VCCPS               | DC Power Supply for Analog Prescaler  |
| 39  | VCCPD               | DC Power Supply for Phase Detector  |
| 40  | BIAS                | External bypass decoupling for precision bias circuits.<br>Note: 1.920V ±20mV reference voltage (BIAS) is generated internally and cannot drive an external load. Must be measured with 10GΩ meter such as Agilent 34410A, normal 10MΩ DVM will read erroneously. |

[1] For doubler mode of operation, pin 28 (RF\_N) and pin 29 (RF\_P) outputs must be shorted together.

7

PLLS w/ INTEGRATED VCO - SMT

For price, delivery and to place orders: Hittite Microwave Corporation, 20 Alpha Road, Chelmsford, MA 01824

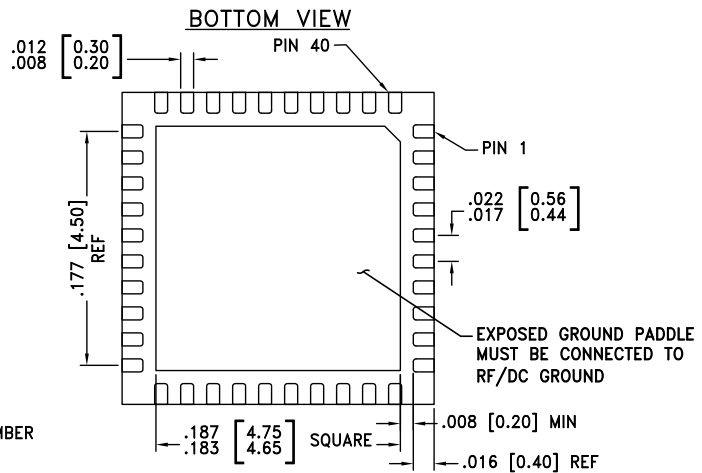
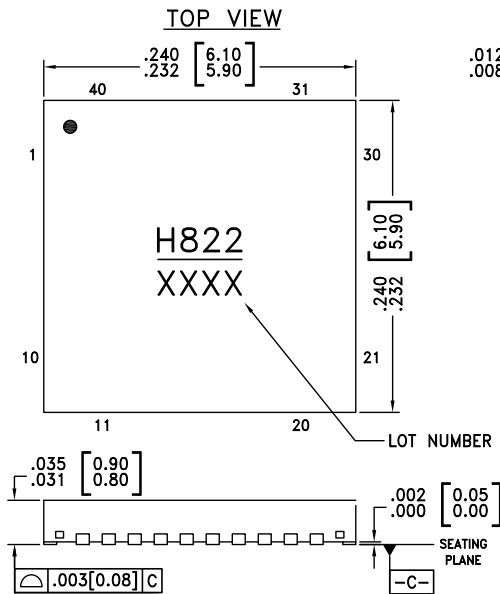
SUNSTAR 射频通信 <http://www.rfocoe.net/> TEL:0755-83396822 FAX:0755-83376182 E-MAIL: szss20@163.com

Application Support: Phone: 978-250-3343 or [apps@hittite.com](mailto:apps@hittite.com)

**FRACTIONAL-N SYNTHESIZER w/ INTEGRATED VCO**  
**665 - 825, 1330 - 1650, 2660 - 3300 MHz**
**Absolute Maximum Ratings**

|   |                |
|---|----------------|
| AVDD, RVDD, DVDD3V, VCCPD, VCCHF, VCCPS | -0.3V to +3.6V |
| VPPCP, VDDCP, VCC1                      | -0.3V to +5.8V |
| VCC2                                    | -0.3V to +5.5V |
| Operating Temperature                   | -40°C to +85°C |
| Storage Temperature                     | -65°C to 125°C |
| Maximum Junction Temperature            | 150°C          |
| Reflow Soldering                        |                |
| Peak Temperature                        | 260°C          |
| Time at Peak Temperature                | 40 sec         |
| ESD Sensitivity (HBM)                   | Class 1B       |

Stresses above those listed under Absolute Maximum Ratings may cause permanent damage to the device. This is a stress rating only; functional operation of the device at these or any other conditions above those indicated in the operational section of this specification is not implied. Exposure to absolute maximum rating conditions for extended periods may affect device reliability.

**Outline Drawing**

**NOTES:**

1. LEADFRAME MATERIAL: COPPER ALLOY
2. DIMENSIONS ARE IN INCHES [MILLIMETERS].
3. LEAD SPACING TOLERANCE IS NON-CUMULATIVE
4. PAD BURR LENGTH SHALL BE 0.15mm MAXIMUM.  
PAD BURR HEIGHT SHALL BE 0.05mm MAXIMUM.
5. PACKAGE WARP SHALL NOT EXCEED 0.05mm.
6. ALL GROUND LEADS AND GROUND PADDLE MUST BE SOLDERED TO PCB RF GROUND.
7. REFER TO HITTITE APPLICATION NOTE FOR SUGGESTED PCB LAND PATTERN.

**Package Information**

| Part Number | Package Body Material                              | Lead Finish   | MSL Rating | Package Marking <sup>[1]</sup> |
|-------------|--|---------------|------------|--------------------------------|
| HMC822LP6CE | RoHS-compliant Low Stress Injection Molded Plastic | 100% matte Sn | MSL3       | H822<br>XXXX                   |

[1] 4-Digit lot number XXXX



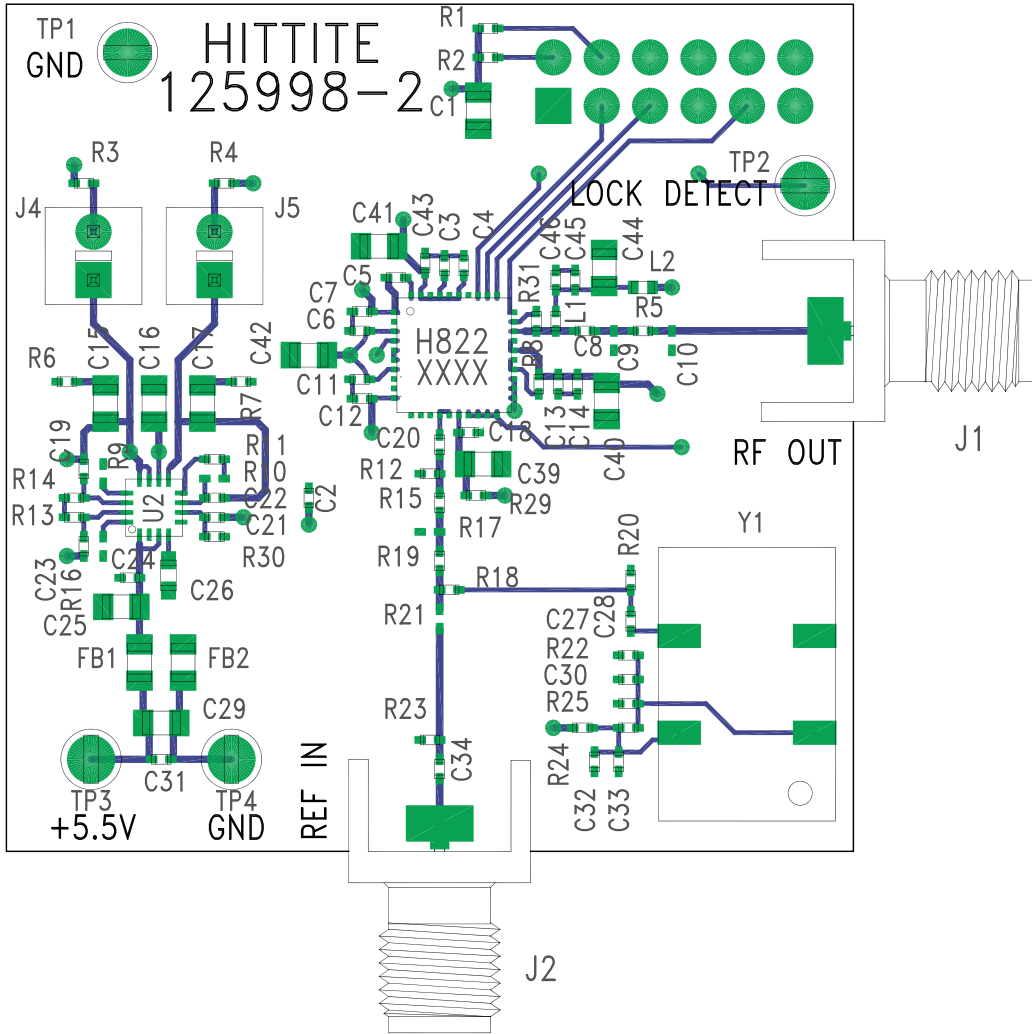


# HMC822LP6CE



## FRACTIONAL-N SYNTHESIZER w/ INTEGRATED VCO 665 - 825, 1330 - 1650, 2660 - 3300 MHz

### Evaluation PCB



The circuit board used in the final application should use RF circuit design techniques. Signal lines should have 50 Ohm impedance while the package ground leads and exposed paddle should be connected directly to the ground plane similar to that shown. A sufficient number of via holes should be used to connect the top and bottom ground planes. The evaluation circuit board shown is available from Hittite upon request.

7

PLLS w/ INTEGRATED VCO - SMT



MICROWAVE CORPORATION v02.1109



AR 射频光电 <http://www.hittite.com> TEL:0755-83396822 FAX:0755-83376182 E-MAIL: szss20@163.com

# HMC822LP6CE

## FRACTIONAL-N SYNTHESIZER w/ INTEGRATED VCO 665 - 825, 1330 - 1650, 2660 - 3300 MHz

### List of Materials for Evaluation PCB 128147 [1]

| Item   | Description                                |
|--|--|
| J1, J2                                       | PCB Mount SMA RF Connector                 |
| J3   | Dual Row Terminal Strip                    |
| J4, J5                                       | Connector Header                           |
| C1, C15 - C17, C25, C29                      | 10 $\mu$ F Capacitor, 0805 Pkg.            |
| C2, C3, C6, C7, C11, C12, C14, C18, C27, C43 | 0.47 $\mu$ F Capacitor, 0402 Pkg.          |
| C4, C13                                      | 22 pF Capacitor, 0402 Pkg.                 |
| C5, C33                                      | 1000 pF Capacitor, 0402 Pkg.               |
| C8   | 1.5 pF Capacitor, 0402 Pkg.                |
| C19 - C24, C28, C30 - C32, C34               | 0.1 $\mu$ F Capacitor, 0402 Pkg.           |
| C26  | 1.0 $\mu$ F Capacitor, 0603 Pkg.           |
| C35  | 3300 pF Capacitor, 0402 Pkg.               |
| C36  | 270 pF Capacitor, 0402 Pkg.                |
| C37, C38                                     | 68 pF Capacitor, 0402 Pkg.                 |
| C39 - C42                                    | 4.7 $\mu$ F Tantalum Capacitor, 0805 Pkg.  |
| FB1 - FB2                                    | 1000 Ohm 200 mA Ferrite Chip, 0805 Pkg.    |
| R1, R2, R5, R11, R15, R18, R19               | Zero Ohm Resistor, 0402 Pkg.               |
| R3, R4, R6, R7                               | 1 kOhm Resistor, 0402 Pkg.                 |
| R8   | 22 Ohm Resistor, 0402 Pkg.                 |
| R12, R20, R23                                | 51 Ohm Resistor, 0402 Pkg.                 |
| R22, R25                                     | 20 kOhm Resistor, 0402 Pkg.                |
| R24  | 10 Ohm Resistor, 0402 Pkg.                 |
| R26 - R28                                    | 1k Ohm Resistor, 0402 Pkg.                 |
| L1   | 12 nH Inductor, 0402 Pkg.                  |
| TP3, TP4                                     | Test Point PC Compact SMT                  |
| U1   | HMC822LP6CE PLL with Integrated VCO        |
| U2   | Low Noise Quad Adjustable Linear Regulator |
| Y1   | 3.3V, 50 MHz VCXO Crystal Oscillator       |
| PCB [2]                                      | 125998 Evaluation Board                    |

[1] Reference this number when ordering complete evaluation PCB

[2] Circuit Board Material: Rogers 4350 or Arlon 25FR and FR4