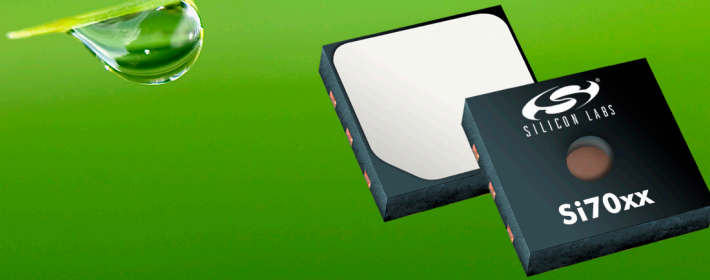




## Humidity and Temperature Sensors

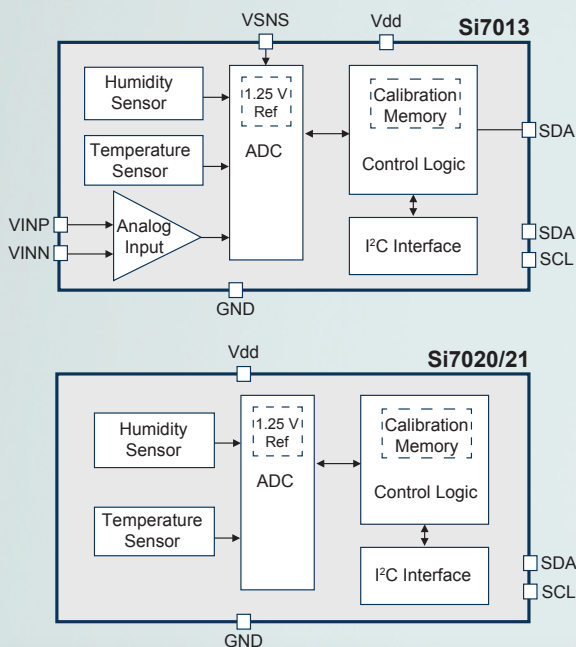
[www.silabs.com/humidity-sensor](http://www.silabs.com/humidity-sensor)



The simpler, greener way to measure relative humidity

### DIGITAL I<sup>2</sup>C HUMIDITY AND TEMPERATURE SENSORS

The Si701x/2x devices are Silicon Labs' 2nd generation family of relative humidity and temperature sensors. All members of this device family combine fully factory-calibrated humidity and temperature sensor elements with an analog to digital converter, signal processing and an I<sup>2</sup>C host interface. Patented use of industry-standard low-K polymer dielectrics provides excellent accuracy and long term stability, along with low drift and low hysteresis. The innovative CMOS design also offers the lowest power consumption in the industry for a relative humidity and temperature sensor.



### FEATURES

- Precision Relative Humidity Sensor:
  - Si7013/21:  $\pm 3\%$  RH (maximum) @ 0–80% RH
  - Si7020:  $\pm 4\%$  RH (maximum) @ 0–80% RH
- Temperature Sensor:
  - $\pm 0.4$  °C accuracy (maximum) @ -10 to +85 °C
- Auxiliary 2nd zone sensor input (Si7013)
- 0 to 100% RH operating range
- Up to -40 to +125 °C operating range
- Wide operating voltage range (1.9 to 3.6 V)
- Low Power Consumption:
  - 1.9  $\mu$ W average power at 3.3 V and 1 sample per second
- I<sup>2</sup>C host interface
- Integrated on-chip heater
- 3 mm x 3 mm DFN package
- Excellent long term stability
- Factory calibrated
- Optional factory-installed filter/cover
  - Lifetime protection during reflow and in operation
  - Protects against contamination from dust, dirt, household chemicals and other liquids
- AEC-Q100 automotive qualified

### APPLICATIONS

- Industrial HVAC/R
- Thermostats/humidistats
- Respiratory therapy
- White goods
- Micro-environments/data centers
- Automotive climate control and de-fogging
- Asset and goods tracking

LOWEST POWER INTEGRATED RH SENSOR



## Humidity and Temperature Sensors

[www.silabs.com/humidity-sensor](http://www.silabs.com/humidity-sensor)

### Si70xx Development Tools

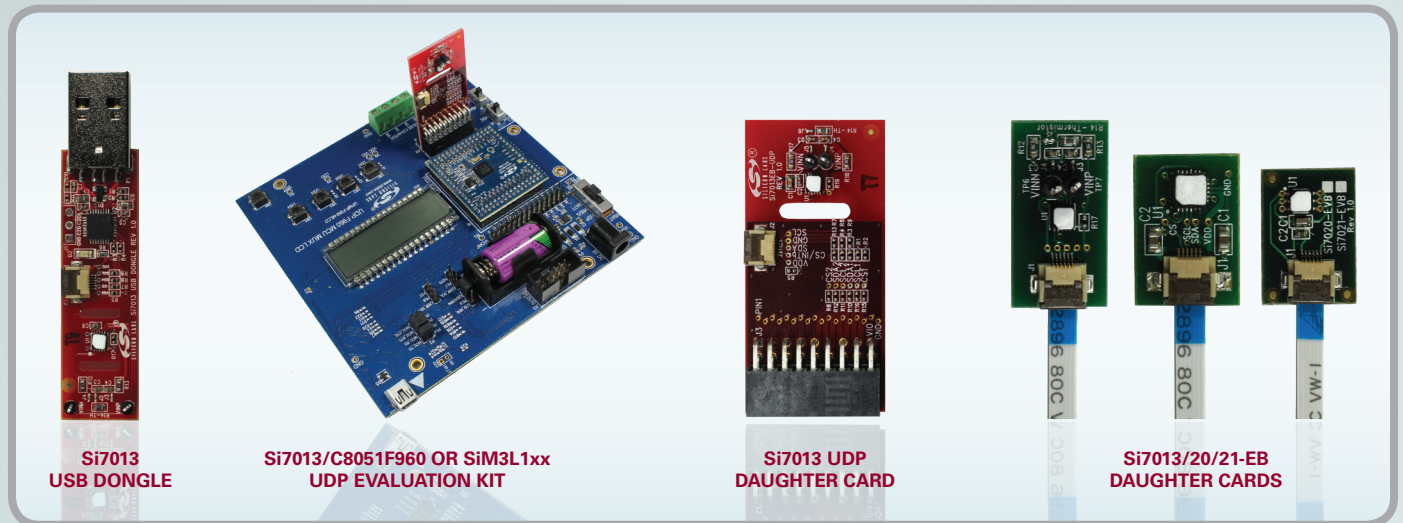
The Si70xx is supported by a suite of hardware and software development tools that facilitate testing/characterization, prototyping and software development.

The **Si7013USB-DONGLE** Evaluation Kit comes with everything developers need to demonstrate and evaluate the Si7013. The board plugs into a PC via a USB socket. It has a connector for adding the Si7013/20/21-EB Daughter Cards.

The **Si7013, Si7020 and Si7021-EB** (included with the Si7013USB-DONGLE) are three small daughter cards that permit evaluation of the Si70xx at the end of a flex cable. They plug right in to the USB-DONGLE if the user wants to put a sensor in a temperature/humidity chamber or a product prototype.

The **Si7013EVB-UDP** is a small daughter card that permits evaluation of the Si7013 in conjunction with certain Unified Development Platform (UDP) components such as the C8051F960 8-bit and the SiM3L1xx LCD 32-bit Ultra-Low Power Microcontroller Development Kits. It plugs directly into UDP MCU cards for fast prototyping and software development. In addition to an on-board Si7013, there is a connector for adding an Si7013/20/21-EB via its flex cable, allowing the user to place the Si7013 in a temperature/humidity chamber or a product prototype.

The **Si7005EVB-UDP-F960** Development Kit and **Si7013EVB-UDP-M3L1** Development Kit combines the 8-bit or 32-bit Ultra-Low Power Microcontroller Development Kits and the Si7013EVB-UDP daughter card with data logger demonstration code. It is a complete package designed to support hardware and software development using the Si7013 and Silicon Lab's ultra-low power MCUs. It ships with example software that implements a portable, battery-powered data logger/asset tracker.



**Si7013  
USB DONGLE**

**Si7013/C8051F960 OR SiM3L1xx  
UDP EVALUATION KIT**

**Si7013 UDP  
DAUGHTER CARD**

**Si7013/20/21-EB  
DAUGHTER CARDS**

### Digital I<sup>2</sup>C Relative Humidity and Temperature Sensors

PART NUMBER	DESCRIPTION	MAX ACCURACY TEMP.	RH	TEMP. RANGE	FILTER COVER	PACKAGE FORMAT	PACKAGE
Si7013-A10-GM	Digital I <sup>2</sup> C RH and 2-zone temperature sensor IC	±0.4 °C	±3%	-40 to 85 °C		Tube	DFN10
Si7013-A10-GM1R	Digital I <sup>2</sup> C RH and 2-zone temperature sensor IC with pre-installed protective cover	±0.4 °C	±3%	-40 to 85 °C	•	Cut Tape	DFN10
Si7013-A10-IM	Digital I <sup>2</sup> C RH and 2-zone temperature sensor IC	±0.4 °C	±3%	-40 to 125 °C		Tube	DFN10
Si7013-A10-IM1R	Digital I <sup>2</sup> C RH and 2-zone temperature sensor IC with pre-installed protective cover	±0.4 °C	±3%	-40 to 125 °C	•	Cut Tape	DFN10
Si7020-A10-GM	Digital I <sup>2</sup> C RH and temperature sensor IC	±0.4 °C	±4%	-40 to 85 °C		Tube	DFN6
Si7020-A10-GM1R	Digital I <sup>2</sup> C RH and temperature sensor IC with pre-installed protective cover	±0.4 °C	±4%	-40 to 85 °C	•	Cut Tape	DFN6
Si7020-A10-IM	Digital I <sup>2</sup> C RH and temperature sensor IC	±0.4 °C	±4%	-40 to 125 °C		Tube	DFN6
Si7020-A10-IM1R	Digital I <sup>2</sup> C RH and temperature sensor IC with pre-installed protective cover	±0.4 °C	±4%	-40 to 125 °C	•	Cut Tape	DFN6
Si7021-A10-GM	Digital I <sup>2</sup> C RH and temperature sensor IC	±0.4 °C	±3%	-40 to 85 °C		Tube	DFN6
Si7021-A10-GM1R	Digital I <sup>2</sup> C RH and temperature sensor IC with pre-installed protective cover	±0.4 °C	±3%	-40 to 85 °C	•	Cut Tape	DFN6
Si7021-A10-IM	Digital I <sup>2</sup> C RH and temperature sensor IC	±0.4 °C	±3%	-40 to 125 °C		Tube	DFN6
Si7021-A10-IM1R	Digital I <sup>2</sup> C RH and temperature sensor IC with pre-installed protective cover	±0.4 °C	±3%	-40 to 125 °C	•	Cut Tape	DFN6

