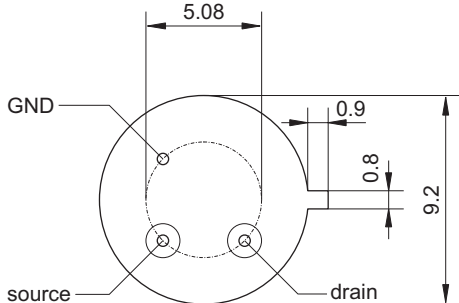
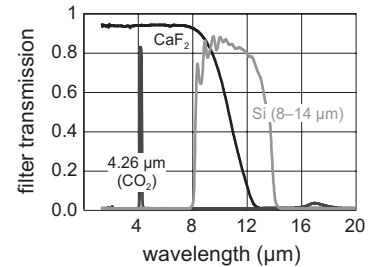
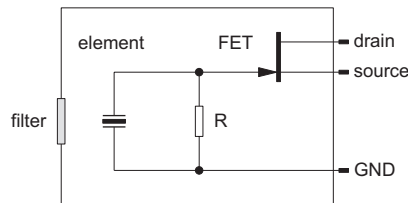
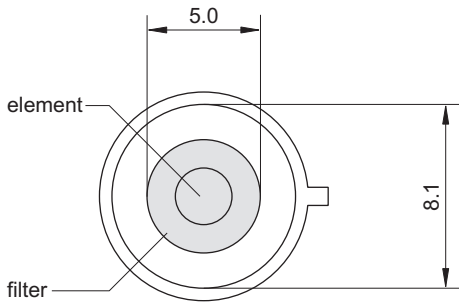
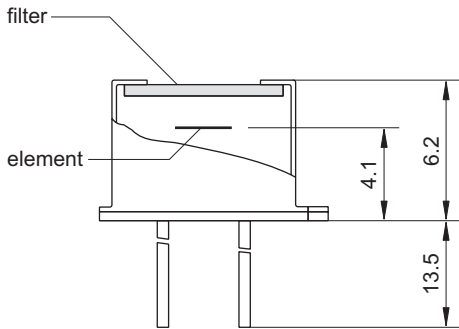


# LTS D2.5

## Pyroelectric Single Element Detector for Measurement Applications

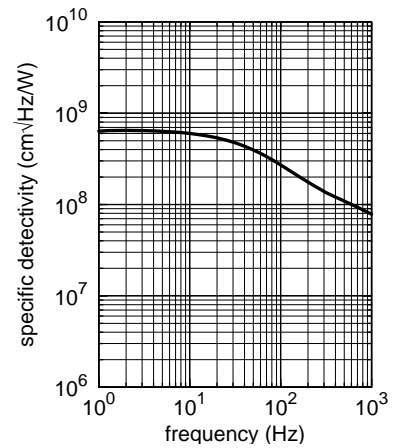
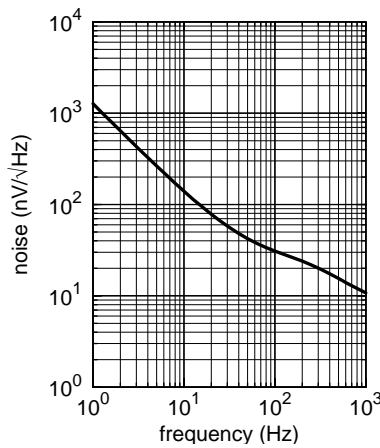
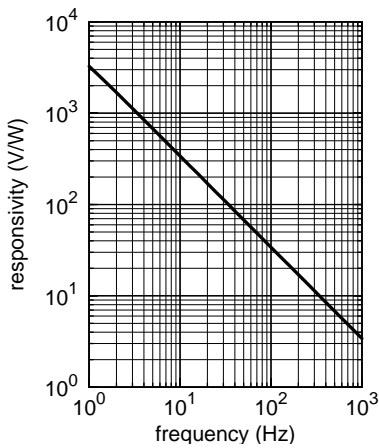


bottom view



|                                     |                            |
|-------------------------------------|----------------------------|
| element size                        | ∅ 2.5 mm                   |
| aperture                            | 5.0 mm                     |
| filter <sup>3</sup>                 | custom-designed            |
| responsivity <sup>1,2</sup>         | >340 V/W                   |
| noise <sup>1</sup>                  | <140 nV/√Hz                |
| specific detectivity <sup>1,2</sup> | >6·10 <sup>8</sup> cm√Hz/W |
| offset voltage                      | 0.4 to 1.5 V               |
| operating voltage                   | 2 to 18 V                  |
| housing                             | TO 39                      |
| operating temperature               | -20 to 60 °C               |
| storage temperature                 | -20 to 60 °C               |

- 1) frequency: 10 Hz, detector temperature: 25 °C
- 2) black body source temperature: 500 K, filter transmission: 100 %
- 3) other filters on request



Further developments may entail modifications of indicated data without notification. Revision 05/2005. 04052005 scitec\_ltsd25\_eng

Scitec Instruments Ltd – Bartles Industrial Estate  
 North Street, Redruth, TR15 1HR UK  
 phone: +44 (0)1209 314 608 · fax: +44 (0)1209 314 609  
 e-mail: sales@scitec.uk.com · www.scitec.uk.com

