

Nemoto Industrial Gas Sensors

- **Catalytic type**

- **Electrochemical type**

〒168-0072 4-10-9, Takaido-higashi, Suginami-ku, Tokyo
Nemoto & Co., Ltd. Sensor Div.

●Industrial electrochemical sensor

Model		Detected gas	Remarks
1	NE-CO	CO	Compatible with 4 series sensor of City Tech.
2	NE-CO-P		Flat type, direct soldering
3	NE-H2S	H ₂ S	Standard type, 0 – 100ppm, 500nA/ppm
4	NE-H2S-100		0 – 100ppm, compatible with City's, 700nA/ppm
5	NE-H2S-200*		0 – 200ppm, 500nA/ppm
6	NE-H2S-500*		0 – 500ppm, 200nA/ppm
7	NE-H2S-P		Flat type, direct soldering, 500nA/ppm
8	NE-NH3	NH ₃	Standard type, 0 – 100ppm
9	NE-NH3-1000*		0 – 1,000ppm
10	NE-NH3-5000*		0 – 5,000ppm
11	NE-NO2	NO ₂	Standard type, 0 – 20ppm
12	NE-NO2-P		Flat type, direct soldering

* : Since basic characteristics are the same as standard type, detailed information of them are not described one by one in this general information.

●Industrial pellistor

Model		Detected gas	Remarks
1	NC-170	General combustible gases	2.0V – 170mA, matched pair type
2	NC-170S		2.0V – 170mA, single header type
3	NC-300		2.0V – 300mA, matched pair type
4	NC-300S		2.0V – 300mA, single header type
5	NC-180		2.6V – 170mA, matched pair type
6	NC-180S		2.6V – 170mA, single header type
7	NC-180S-H	Hydrogen	1.6V – 140mA, single header type
8	NC-180S-N	Ammonia	2.2V – 150mA, single header type
9	NC-180-H	Hydrogen	1.6V – 140mA, matched pair type
10	NC-180-A	Acetylene	2.0V – 170mA, matched pair type
11	NC-180-N	Ammonia	2.2V – 150mA, matched pair type
12	NC-50S	General combustible gases	4.25V – 50mA, single header type
13	NC-70S		3.0V – 75mA, single header type

NE-CO

NE-CO gas sensor is an industrial type CO gas sensor, and since its signal is larger than domestic type, minimum detection level is lower than domestic type, additionally it is superior on selectivity and resistivity to residential type. And then, since gas response speed is fairly fast, it is in compliance with most of world-widely industrial standards, and it is also applicable for wider fields.

• Characteristics

Items	Characteristics
Detected gas conc.	CO 0~2000ppm
Output current	70 ± 15nA/ppm of CO
Repeatability	Less than ±2%
Response time	T90 : less than 30sec.
Zero offset drift	Less than 10ppm(-20-50°C)
Temperature	-20~+50°C
Humidity	15~90%RH

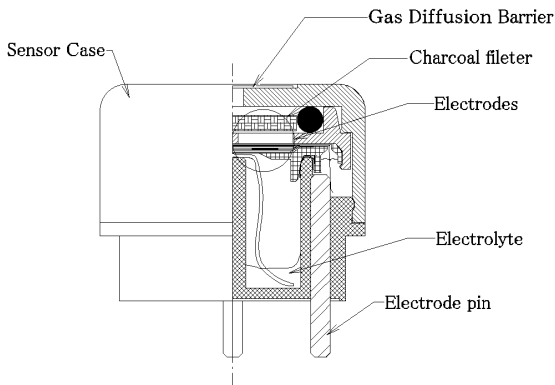
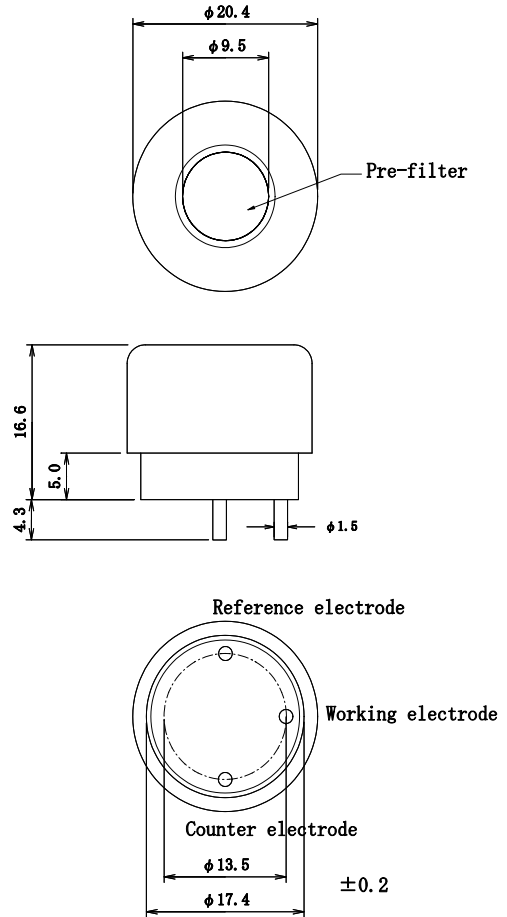


Fig. Shape and dimension

Fig. Structure of NE-CO

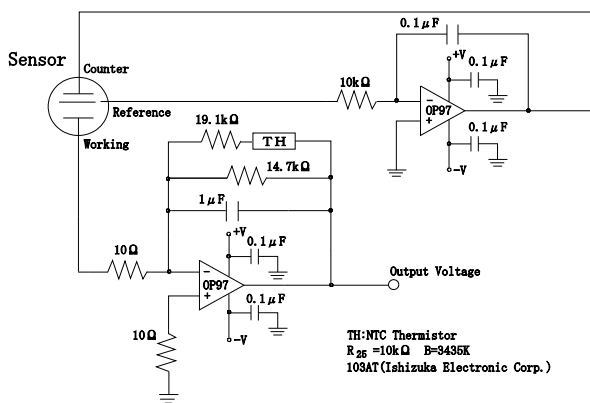


Fig. Recommended circuit diagram

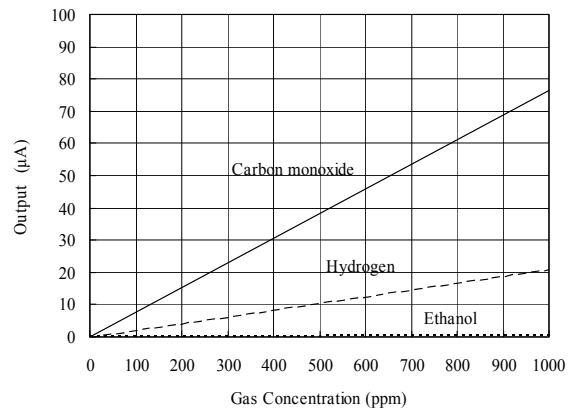


Fig. Gas sensitivity characteristics

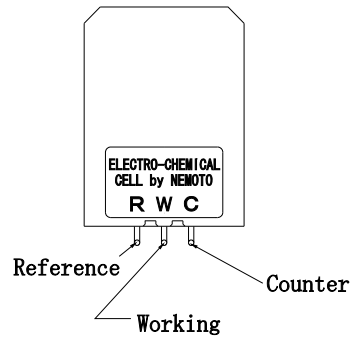
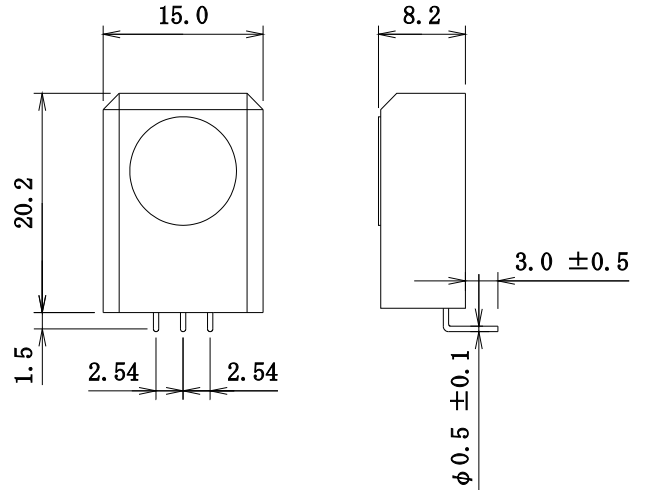
(Body color : Light green)

NE-CO-P

NE-CO-P is an industrial CO gas sensor like NE-CO, since the shape is flat as the same as domestic NAP-505, and it can be directly soldered on the PCB. However the various resistivity and features are almost the same as NE-CO. It is also in compliance with world-wide standards, and available for a lot of applications.

• Characteristics and ratings

Items	Characteristics, ratings
Detected gas conc.	CO 0~1000ppm
Output current	40±10nA/ppm of CO
Repeatability	Less than ±2%
Response time	T90 : less than 30sec.
Zero offset drift	Less than 10ppm(-20-50°C)
Temperature	-20~+50°C
Humidity	15~90%RH
Pressure range	0.9 - 1.1atm
Guaranteed life time	2 years
Storage conditions	0 - 20°C is recommended
Zero offset drift	Less than 5ppm



(±0.2)

[right angle pin]

• Typical application

Wearable, handheld or portable CO gas alarm

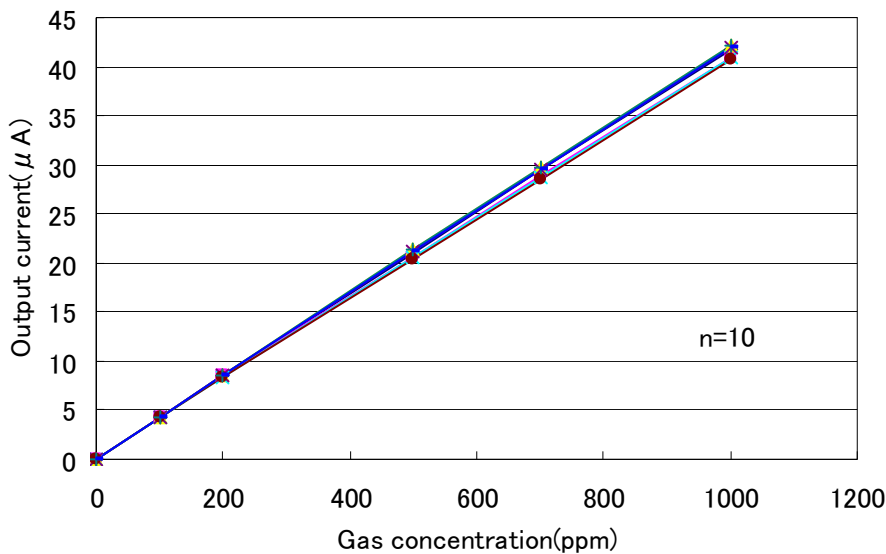


Fig. Gas concentration characteristics

(Body color : Light green)

NE-H2S

NE-H2S is a hydrogen sulfide gas sensor for industrial applications, and 3 types except standard type (H2S-100, H2S-200 and H2S-500) are also available as described in the next page. The most suitable type can be easily selected according to the applications. Output current is fairly large, it means that it can detect fairly low concentration of hydrogen sulfide, and additionally, since it has excellent selectivity, resistivity and responsibility, it is applicable in wide applications.

• Characteristics

Items	Features
Detected gas conc.	H ₂ S 0~100ppm
Output current	500 ± 100nA/ppm of H ₂ S
Repeatability	Less than ±2%
Response time	T90 : less than 30sec.
Zero offset drift	Less than 1ppm(-20~50°C)
Temperature	-20~+50°C
Humidity	15~90%RH

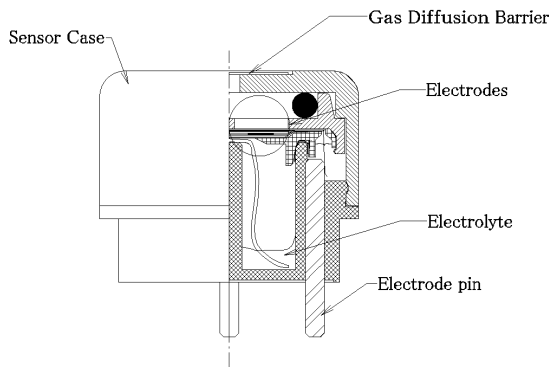
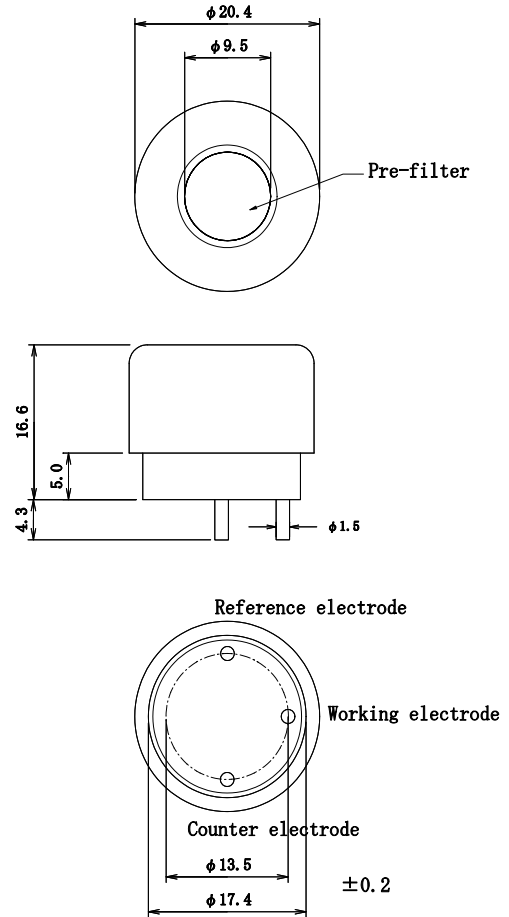


Fig. Structure of NE-H2S

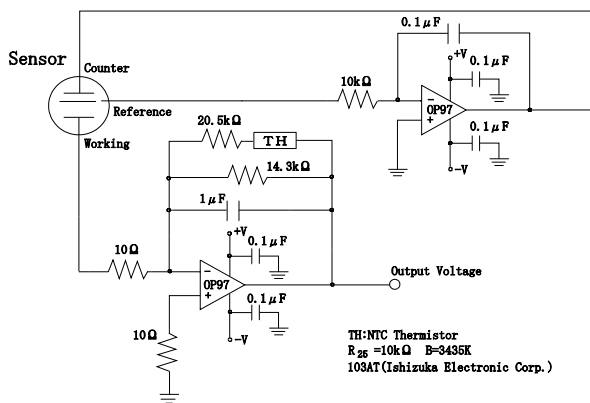


Fig. Structure of NE-H2S

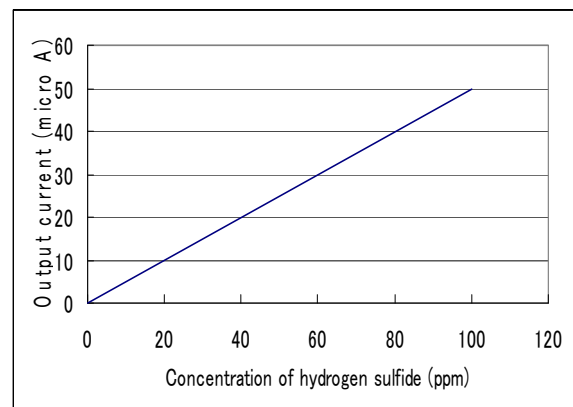


Fig. Gas sensitivity characteristics of NE-H2S

(Body color : Yellow)

NE-H2S-100, 200, 500

Structure, shape, and body color of them are completely the same as NE-H2S standard type, then sensitivity characteristics of them are shown as below.

• NE-H2S-100

Items	Features
Detected gas concentration	H ₂ S 0~100ppm
Output current	700±150nA/ppm
Repeatability	Less than ±2%
Response time	T90 : less than 30sec.
Zero offset drift	Less than 1ppm(-20—50℃)
Temperature	-20~+50℃
Humidity	15~90%RH

• NE-H2S-200

Items	Features
Detected gas concentration	H ₂ S 0~200ppm
Output current	500±100nA/ppm
Repeatability	Less than ±2%
Response time	T90 : less than 30sec.
Zero offset drift	Less than 1ppm(-20—50℃)
Temperature	-20~+50℃
Humidity	15~90%RH

• NE-H2S-500

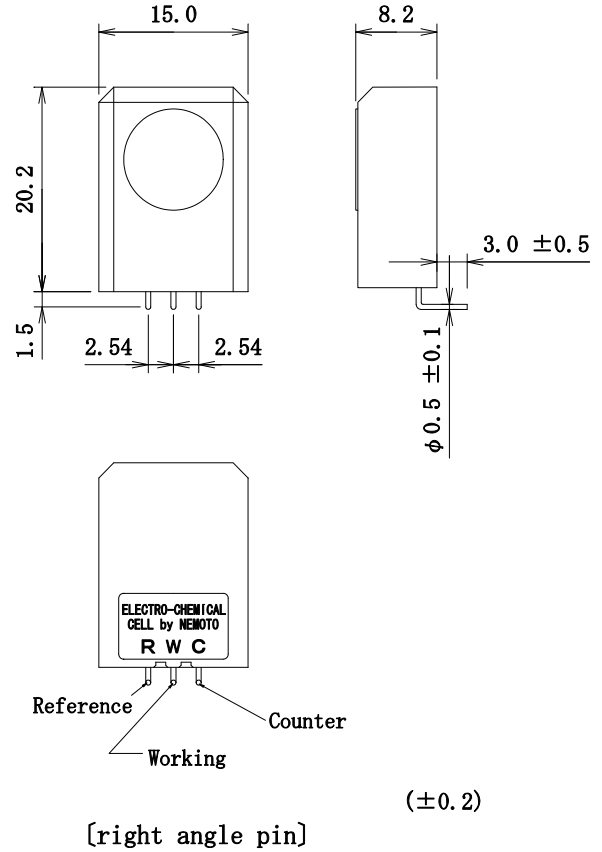
Items	Features
Detected gas concentration	H ₂ S 0~500ppm
Output current	200±50nA/ppm of H ₂ S
Repeatability	Less than ±2%
Response time	T90 : less than 20sec.
Zero offset drift	Less than 3ppm(-20—50℃)
Temperature	-20~+50℃
Humidity	15~90%RH

NE-H2S-P

NE-H2S-P is an industrial H2S gas sensor like NE-H2S, since the shape is flat as the same as domestic NAP-505, it can be directly soldered on PCB. However the various resistivity and features are almost the same as NE-H2S. It is also in compliance with world-wide standards, and available for a lot of applications.

• Characteristics and ratings

Items	Characteristics, ratings
Detected gas conc.	H2S 0~100ppm
Output current	120±20nA/ppm of H2S
Repeatability	Less than ±2%
Response time	T90 : less than 20sec.
Zero offset drift	Less than 2ppm(-20~50°C)
Temperature	-20~+50°C
Humidity	15~90%RH
Pressure range	0.9 - 1.1atm
Guaranteed life time	2 years
Storage conditions	0 - 20°C is recommended
Zero offset drift	Less than 1ppm



• Typical application

Wearable, Handheld or portable H2S gas alarm

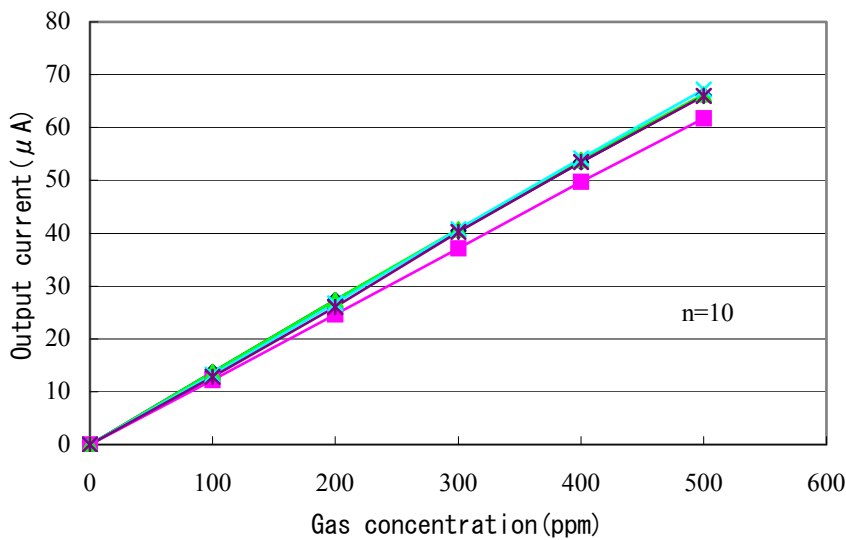


Fig. Gas concentration characteristics

(Body color : Yellow)

NE-NH3

NE-NH3 is a newly developed ammonia gas sensor for industrial application. 2 more types except standard are also available for higher concentration in the next page. It is very stable in normal circumstance for more than 6 months, and can detect ammonia with excellent accuracy without reduction of sensitivity. Additionally, since it is applicable in exceedingly low temperature, it is available for many applications.

• Characteristics

Items	Features
Detected gas conc.	NH ₃ 0~100ppm
Output current	40 ± 12nA/ppm
Repeatability	Less than ±10%
Response speed	T90 : less than 90sec.
Zero offset drift	Less than 15ppm(-30~50°C)
Temperature	-40~+50°C
Humidity	15~90%RH

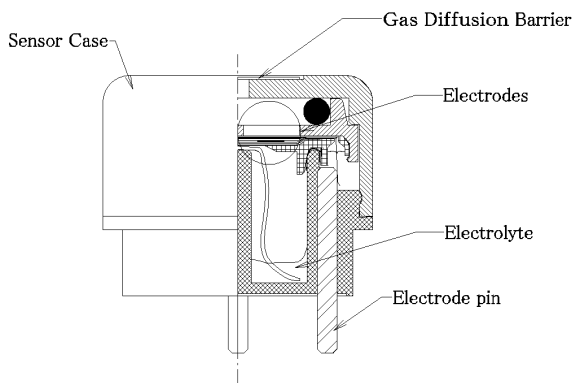


Fig. Structure of NE-NH3

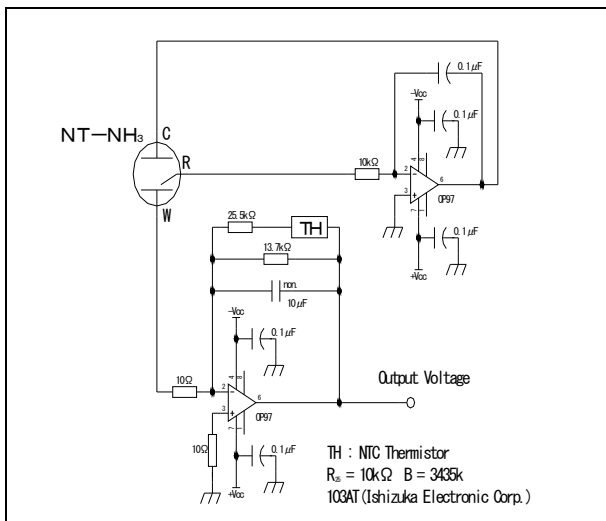
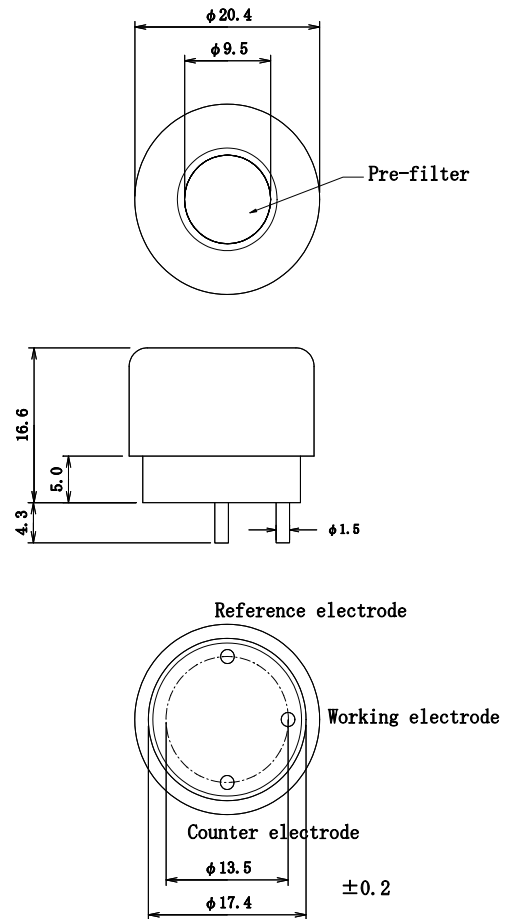


Fig. Recommended circuit diagram

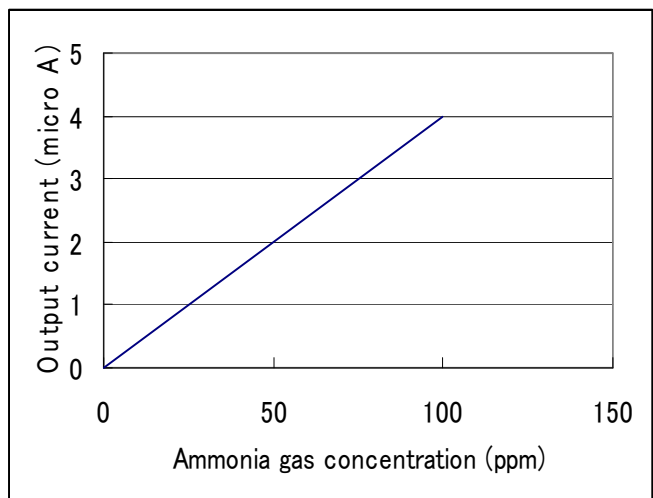


Fig. Gas concentration characteristics

(Body color : Violet)

NE-NH3-1000, 5000

Structure, shape, and body color of them are completely the same as NE-NH3 standard type, then sensitivity characteristics of them are shown as below.

• NE-NH3-1000

Items	Features
Detected gas concentration	NH ₃ 0~1,000ppm
Output current	8±4nA/ppm
Repeatability	Less than ±10%
Response speed	T90 : less than 120sec.
Zero offset drift	Less than 75ppm(-30—50℃)
Temperature	-40~+50℃
Humidity	15~90%RH

• NE-NH3-5000

Items	Features
Detected gas concentration	NH ₃ 0~5,000ppm
Output current	4±2nA/ppm
Repeatability	Less than ±10%
Response speed	T90 : less than 150sec.
Zero offset drift	Less than 150ppm(-30—50℃)
Temperature	-40~+50℃
Humidity	15~90%RH

NT-NO2

NE-NO2 is a newly developed NO2 gas sensor. Since the output current is fairly large, it can detect the low concentration of NO2 with good accuracy. Additionally, as it has very excellent repeatability, long term stability, selectivity and resistivity, it is useful in many applications.

• Characteristics

Items	Features
Detected gas conc.	NO ₂ 0~20ppm
Output current	600 ± 150nA/ppm (Contrary signal to other models)
Repeatability	Less than ±2%
Response time	T90 : less than 25sec.
Zero offset drift	Less than 0.2ppm(-20~50°C)
Temperature	-20~+50°C
Humidity	15~90%RH

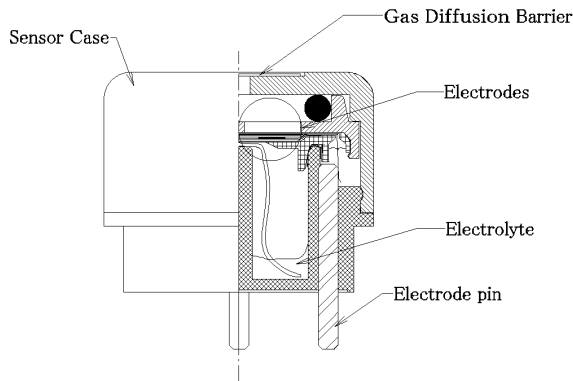
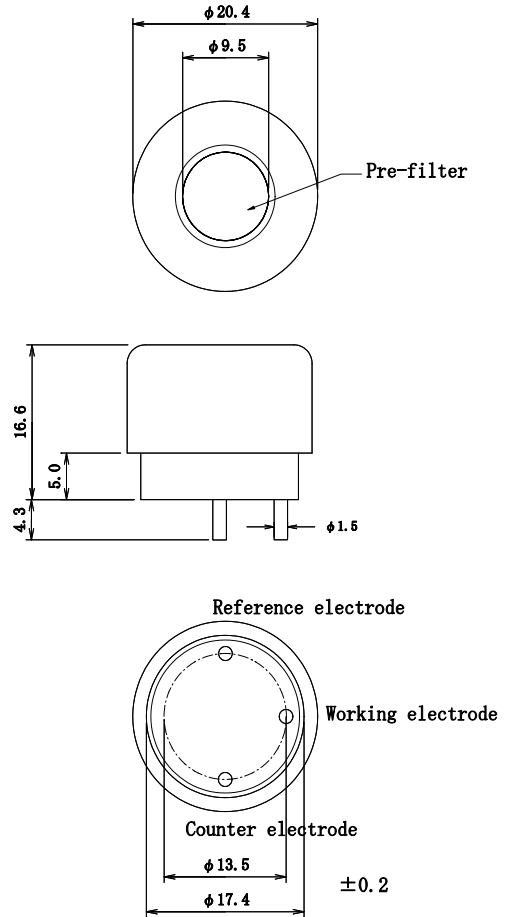


Fig. Structure of NE-NO2

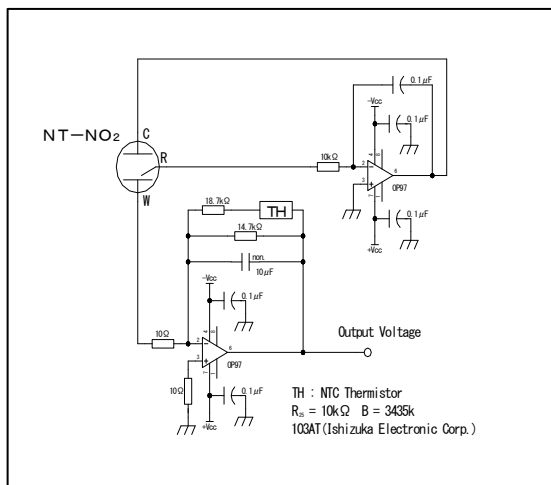


Fig. Recommended circuit diagram

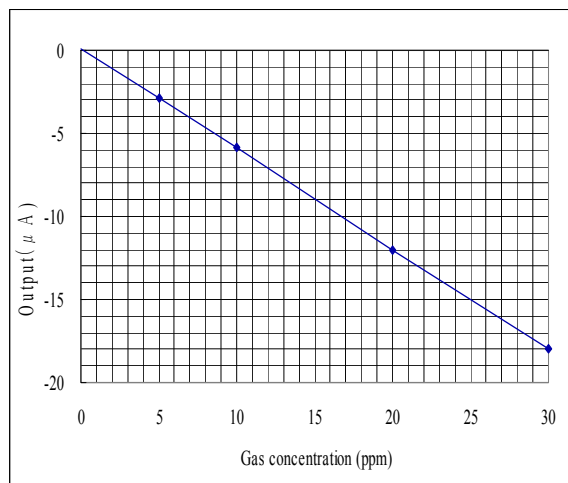


Fig. Gas concentration characteristics

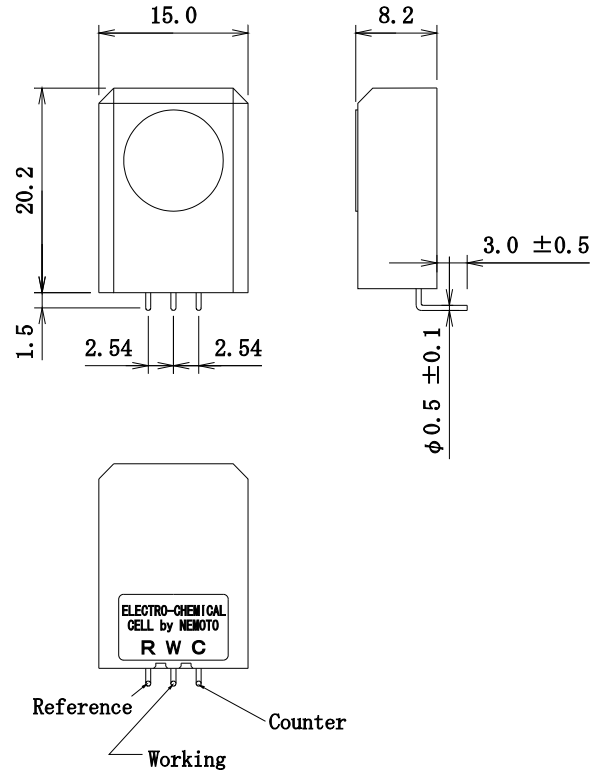
(Body color : Pink)

NE-NO2-P

NE-NO2-P is an industrial NO2 gas sensor like NE-NO2, since the shape is flat as the same as domestic NAP-505, it can be directly soldered on PCB. However the various resistivity and features are almost the same as NE-NO2. It is also in compliance with world-wide standards, and available for a lot of applications.

• Characteristics and ratings

Items	Characteristics, ratings
Detected gas conc.	NO2 0~20ppm
Output current	150±30nA/ppm of NO2
Repeatability	Less than ±2%
Response time	T90 : less than 25sec.
Zero offset drift	Less than 0.5ppm (-20~50°C)
Temperature	-20~+50°C
Humidity	15~90%RH
Pressure range	0.9 - 1.1atm
Guaranteed life time	2 years
Storage conditions	0 - 20°C is recommended
Zero offset drift	Less than 0.5ppm



Notice)

Output signal is generated to contrary side to other models.

• Typical application

Wearable, handheld or portable NO2 gas alarm

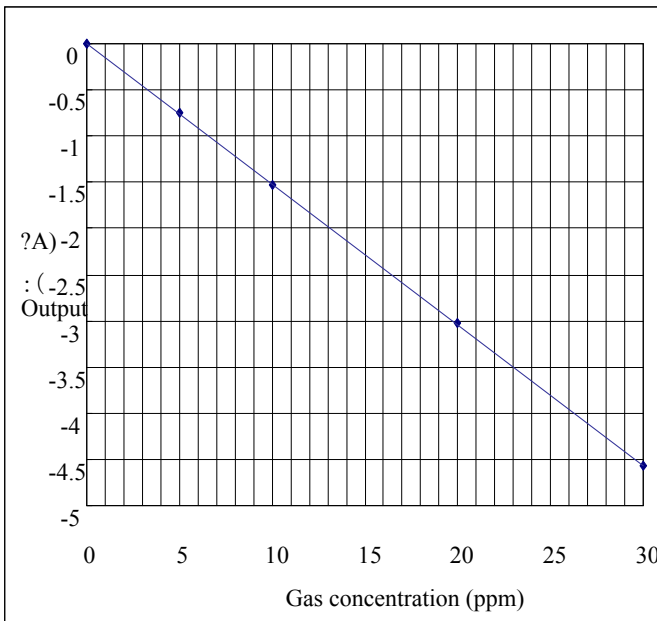


Fig. Gas concentration characteristics

(±0.2)
[right angle pin]

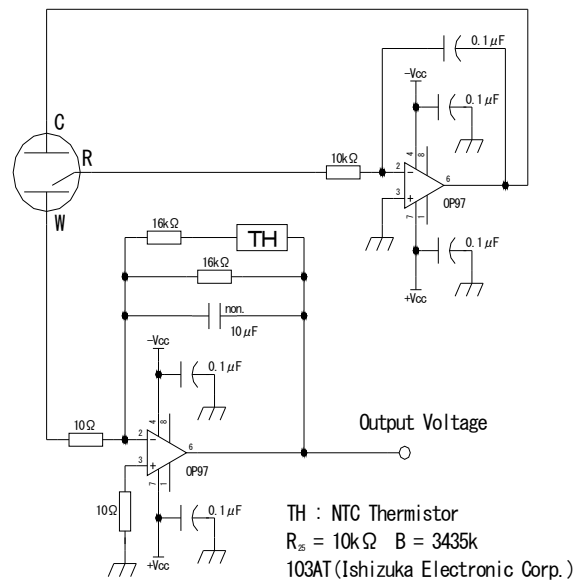


Fig. Recommended circuit diagram

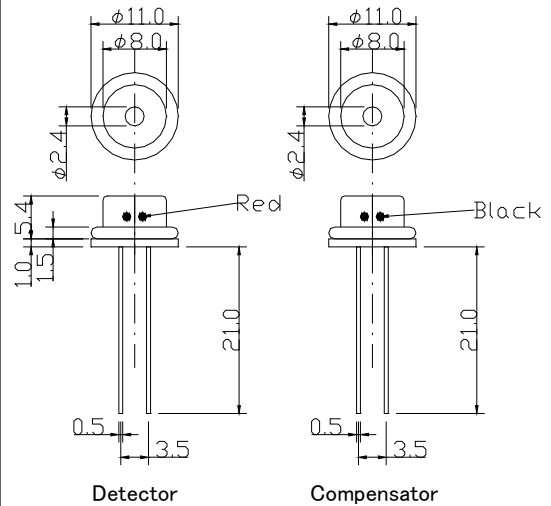
(Body color : Pink)

NC-170

NC-170 gas sensor is a matched pair type for industrial use, and it has been already available in many customers for fixed applications. Since this type does not meet the structure of explosion proof by itself, it has to be installed in the approved body by ATEX, CSA or etc.

●Ratings, dimensions, shape

• Supply voltage	2.0V
• Current	170 – 190mV (When 2.0V is supplied.)
• Temperature	-20 - +60°C
• Humidity	Less than 95%RH (Without dew condensation)
• Measurement range	Less than 100%LEL
• Shape	As per the right figure
• Dimensions	As per right figure Pin length is shortened to 25mm now, and O-ring is attached on both.



●Standard sensitivity and zero offset in air

13 – 18mV/10%LEL of methane, -25 to +25mV in zero offset in air

●Relative sensitivity

Gases		LEL	R. S.	Gases		LEL	R. S.
1	Methane	5.00%	100	11	Acetylene	2.50	-
2	Propane	2.20	90	12	CO	12.50	115
3	n-Butane	1.80	80	13	Acetone	2.60	75
4	n-Pentane	1.40	80	14	MEK	1.90	55
5	n-Hexane	1.20	80	15	Toluene	1.20	60
6	n-Heptane	1.05	65	16	Ethyl acetate	2.20	75
7	n-Octane	0.95	60	17	Hydrogen	4.00	130
8	Methanol	6.70	125	18	Ammonia	15.00	140
9	Ethanol	3.30	85	19	Gasoline Pb free	1.20	80
10	IPA	2.20	75	20	Ethylene	2.70	95

* : 「-」 means that it is not a detected gas.

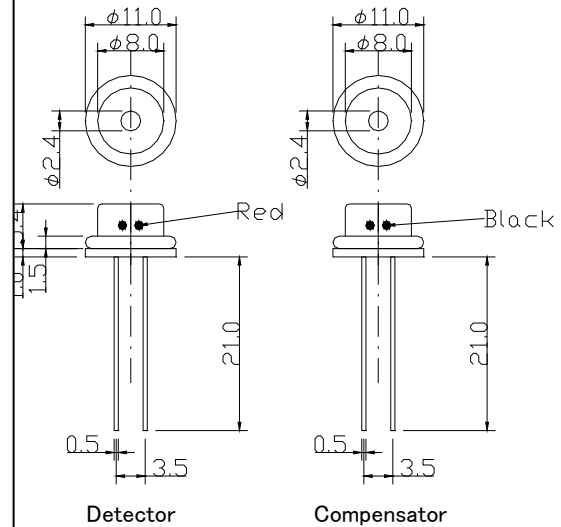
** : R.S. (relative sensitivity) is described in case that sensitivity to **methane** is 100.

NC-300

NC-300 gas sensor is a matched pair type for industrial use like NC-170, and it has been already available in many customers for fixed applications. Since this type does not meet the structure of explosion proof by itself, it has to be installed in the approved body by ATEX, CSA or etc.

●Ratings, shape, dimensions

• Supply voltage	2.0V
• Current	280 – 300mV (When 2.0V is supplied.)
• Temperature	-20 - +60°C
• Humidity	Less than 95%RH (Without dew condensation)
• Measurement range	Less than 100%LEL
• Shape	As per the right figure
• Dimensions	As per the right figure Pin length is shortened to 25mm now, and O-ring is attached on both.



●Standard sensitivity and zero offset in air

11 – 16mV/10%LEL of methane, -30 to +30mV in zero offset in air

●Relative sensitivity

Gases		LEL	R.S.	Gases		LEL	R.S.
1	Methane	5.00%	100	11	Acetylene	2.50	-
2	Propane	2.20	75	12	CO	12.50	110
3	n-Butane	1.80	70	13	Acetone	2.60	60
4	n-Pentane	1.40	70	14	MEK	1.90	45
5	n-Hexane	1.20	65	15	Toluene	1.20	60
6	n-Heptane	1.05	55	16	Ethyl acetate	2.20	60
7	n-Octane	0.95	50	17	Hydrogen	4.00	110
8	Methanol	6.70	100	18	Ammonia	15.00	130
9	Ethanol	3.30	70	19	Gasoline Pb free	1.20	65
10	IPA	2.20	60	20	Ethylene	2.70	85

* : 「-」 means that it is not a detected gas.

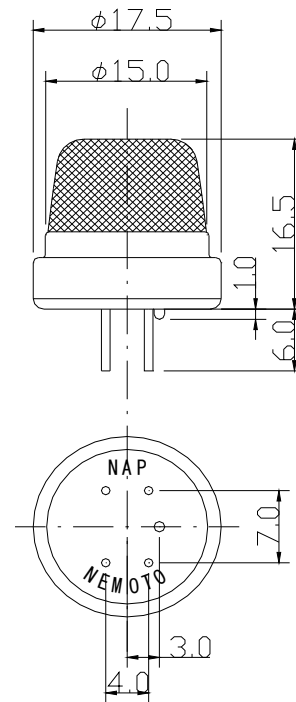
** : R.S. (relative sensitivity) is described in case that sensitivity to **methane** is 100.

NC-170S

NC-170S gas sensor is a single header type for industrial use, and it has been already available in many customers for fixed applications. This type has a simplified explosion proof structure, however it is recommended that it is installed in the approved body by ATEX, CSA or etc.

●Ratings, shape, dimensions

• Supply voltage	2.0V
• Current	170 – 190mV (When 2.0V is supplied.)
• Temperature	-20 - +60°C
• Humidity	Less than 95%RH (Without dew condensation)
• Measurement range	Less than 100%LEL
• Shape	As per the right figure
• Dimensions	As per the right figure



●Standard sensitivity and zero offset in air

27– 37mV/10%LEL of methane, -30 to +30mV in zero offset in air

●Relative sensitivity

Gases		LEL	R.S.	Gases		LEL	R.S.
1	Methane	5.00%	100	11	Acetylene	2.50	-
2	Propane	2.20	90	12	CO	12.50	115
3	n-Butane	1.80	80	13	Acetone	2.60	75
4	n-Pentane	1.40	80	14	MEK	1.90	55
5	n-Hexane	1.20	80	15	Toluene	1.20	60
6	n-Heptane	1.05	65	16	Ethyl acetate	2.20	75
7	n-Octane	0.95	60	17	Hydrogen	4.00	130
8	Methanol	6.70	125	18	Ammonia	15.00	140
9	Ethanol	3.30	85	19	Gasoline Pb free	1.20	80
10	IPA	2.20	75	20	Ethylene	2.70	95

* : 「-」 means that it is not a detected gas.

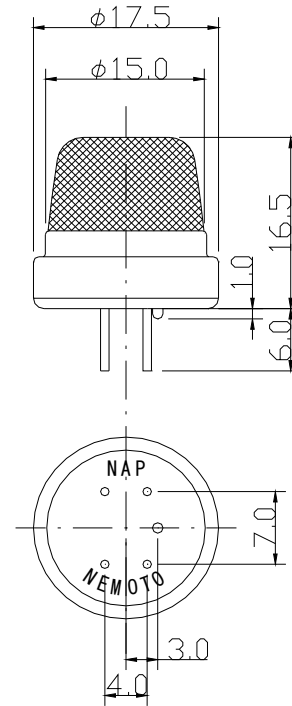
** : R.S. (relative sensitivity) is described in case that sensitivity to **methane** is 100.

NC-300S

NC-300S gas sensor is a single header type for industrial use like NC-170S, and it has been already available in many customers for fixed applications. This type has a simplified explosion proof structure, however it is recommended that it is installed in the approved body by ATEX, CSA or etc.

●Ratings, shape, dimensions

• Supply voltage	2.0V
• Current	280 – 300mV (When 2.0V is supplied.)
• Temperature	-20 - +60°C
• Humidity	Less than 95%RH (Without dew condensation)
• Measurement range	Less than 100%LEL
• Shape	As per the right figure
• Dimensions	As per the right figure



●Standard sensitivity and zero offset in air

23– 33mV/10%LEL of methane, -30 to +30mV in zero offset in air

●Relative sensitivity

Gases		LEL	R.S.	Gases		LEL	R.S.
1	Methane	5.00%	100	11	Acetylene	2.50	-
2	Propane	2.20	75	12	CO	12.50	110
3	n-Butane	1.80	70	13	Acetone	2.60	60
4	n-Pentane	1.40	70	14	MEK	1.90	45
5	n-Hexane	1.20	65	15	Toluene	1.20	60
6	n-Heptane	1.05	55	16	Ethyl acetate	2.20	60
7	n-Octane	0.95	50	17	Hydrogen	4.00	110
8	Methanol	6.70	100	18	Ammonia	15.00	130
9	Ethanol	3.30	70	19	Gasoline Pb free	1.20	65
10	IPA	2.20	60	20	Ethylene	2.70	85

* : 「-」 means that it is not a detected gas.

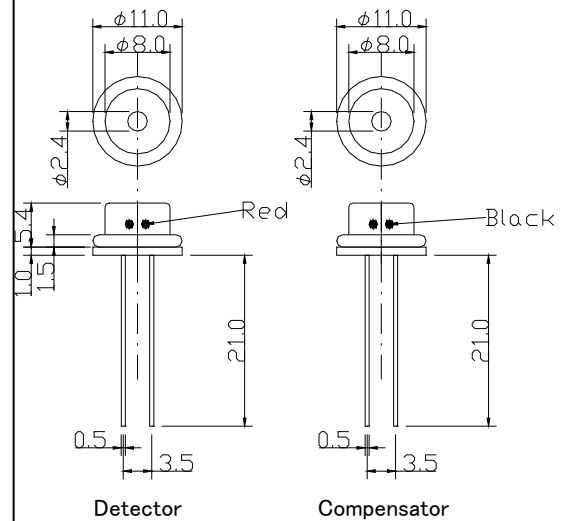
** : R.S. (relative sensitivity) is described in case that sensitivity to **methane** is 100.

NC-180

NC-180 gas sensor is a matched pair type for industrial use, and it has been already available also in many customers for fixed applications. Since this type does not meet the structure of explosion proof by itself, it has to be installed in the approved body by ATEX, CSA or etc.

●Ratings, dimensions, shape

• Supply voltage	2.6V
• Current	170 – 190mV (When 2.6V is supplied.)
• Temperature	-20 - +60°C
• Humidity	Less than 95%RH (Without dew condensation)
• Measurement range	Less than 100%LEL
• Shape	As per the right figure
• Dimensions	As per the right figure Pin length is shortened to 25mm now, and O-ring is attached on both.



●Standard sensitivity

14 – 19mV/10%LEL of methane

●Relative sensitivity

Gases		LEL	R. S.	Gases		LEL	R. S.
1	Methane	5.00%	100	11	Acetylene	2.50	-
2	Propane	2.20	75	12	CO	12.50	110
3	n-Butane	1.80	70	13	Acetone	2.60	60
4	n-Pentane	1.40	70	14	MEK	1.90	50
5	n-Hexane	1.20	70	15	Toluene	1.20	60
6	n-Heptane	1.05	60	16	Ethyl acetate	2.20	60
7	n-Octane	0.95	55	17	Hydrogen	4.00	110
8	Methanol	6.70	100	18	Ammonia	15.00	135
9	Ethanol	3.30	70	19	Gasoline Pb free	1.20	60
10	IPA	2.20	60	20	Ethylene	2.70	90

* : 「-」 means that it is not a detected gas.

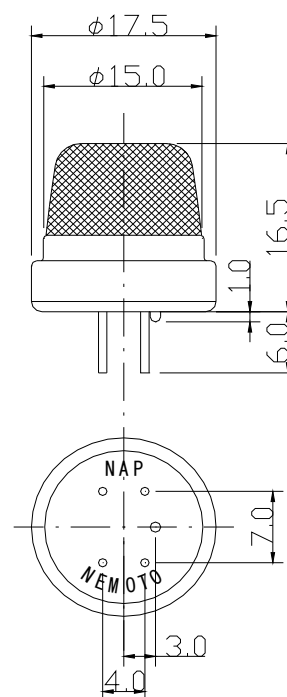
** : R.S. (relative sensitivity) is described in case that sensitivity to **methane** is 100.

NC-180S

NC-180S gas sensor is a single header type for industrial use like NC-170S, and it has been already available in many customers for fixed applications. This type has a simplified explosion proof structure, however it is recommended that it is installed in the approved body by ATEX, CSA or etc. .

●Ratings, shape, dimensions

• Supply voltage	2.6V
• Current	170 – 190mV (When 2.6V is supplied.)
• Temperature	-20 - +60°C
• Humidity	Less than 95%RH (Without dew condensation)
• Measurement range	Less than 100%LEL
• Shape	As per the right figure
• Dimensions	As per the right figure



●Standard sensitivity and zero offset in air

28– 40mV/10%LEL of methane, -30 to +30mV in zero offset in air

●Relative sensitivity

Gases		LEL	R. S.	Gases		LEL	R. S.
1	Methane	5.00%	100	11	Acetylene	2.50	-
2	Propane	2.20	75	12	CO	12.50	110
3	n-Butane	1.80	70	13	Acetone	2.60	60
4	n-Pentane	1.40	70	14	MEK	1.90	50
5	n-Hexane	1.20	70	15	Toluene	1.20	60
6	n-Heptane	1.05	60	16	Ethyl acetate	2.20	60
7	n-Octane	0.95	55	17	Hydrogen	4.00	110
8	Methanol	6.70	100	18	Ammonia	15.00	135
9	Ethanol	3.30	70	19	Gasoline Pb free	1.20	60
10	IPA	2.20	65	20	Ethylene	2.70	90

* : 「-」 means that it is not a detected gas.

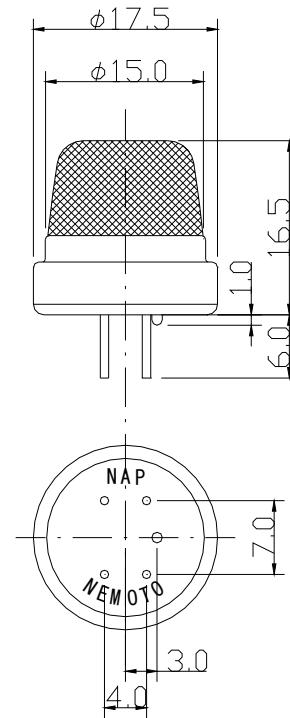
** : R.S. (relative sensitivity) is described in case that sensitivity to **methane** is 100.

NC-180S-H

NC-180S-H gas sensor is a single header type hydrogen gas sensor for industrial application, and it has been already available in many customers for fixed applications. This type has a simplified explosion proof structure, however it is recommended that it is installed in the approved body by ATEX, CSA or etc.

●Ratings, shape, dimensions

• Supply voltage	1.6V
• Current	130 – 150mV (When 1.6V is supplied.)
• Temperature	-20 - +60°C
• Humidity	Less than 95%RH (Without dew condensation)
• Measurement range	Less than 100%LEL
• Shape	As per the right figure
• Dimensions	As per the right figure



●Standard sensitivity and zero offset in air

35– 50mV/10%LEL of hydrogen, -30 to +30mV in zero offset in air

●Relative sensitivity

Gases		LEL	R. S.	Gases		LEL	R. S.
1	Methane	5.00%	0	11	Acetylene	2.50	-
2	Propane	2.20	0	12	CO	12.50	115
3	n-Butane	1.80	0	13	Acetone	2.60	45
4	n-Pentane	1.40	5	14	MEK	1.90	45
5	n-Hexane	1.20	10	15	Toluene	1.20	70
6	n-Heptane	1.05	30	16	Ethyl acetate	2.20	10
7	n-Octane	0.95	20	17	Hydrogen	4.00	100
8	Methanol	6.70	100	18	Ammonia	15.00	120
9	Ethanol	3.30	40	19	Gasoline Pb free	1.20	10
10	IPA	2.20	45	20	Ethylene	2.70	65

* : 「-」 means that it is not a detected gas.

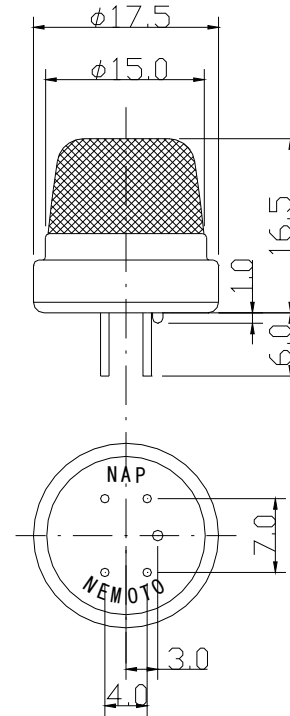
** : R.S. (relative sensitivity) is described in case that sensitivity to **hydrogen** is 100.

NC-180S-N

NC-180S-N gas sensor is a single header type ammonia gas sensor for industrial application, and it has been already available in many customers for fixed applications. This type has a simplified explosion proof structure, however it is recommended that it is installed in the approved body by ATEX, CSA or etc.

●Ratings, shape, dimensions

• Supply voltage	2.2V
• Current	160 – 180mV (When 2.2V is supplied.)
• Temperature	-20 - +60°C
• Humidity	Less than 95%RH (Without dew condensation)
• Measurement range	Less than 100%LEL
• Shape	As per the right figure
• Dimensions	As per the right figure



●Standard sensitivity and zero offset in air

35– 65mV/10%LEL of ammonia, -30 to +30mV in zero offset in air

●Relative sensitivity

Gases		LEL	R. S.	Gases		LEL	R. S.
1	Methane	5.00%	0	11	Acetylene	2.50	-
2	Propane	2.20	20	12	CO	12.50	20
3	n-Butane	1.80	30	13	Acetone	2.60	60
4	n-Pentane	1.40	40	14	MEK	1.90	50
5	n-Hexane	1.20	45	15	Toluene	1.20	50
6	n-Heptane	1.05	40	16	Ethyl acetate	2.20	50
7	n-Octane	0.95	35	17	Hydrogen	4.00	75
8	Methanol	6.70	80	18	Ammonia	15.00	100
9	Ethanol	3.30	55	19	Gasoline Pb free	1.20	35
10	IPA	2.20	50	20	Ethylene	2.70	60

* : 「-」 means that it is not a detected gas.

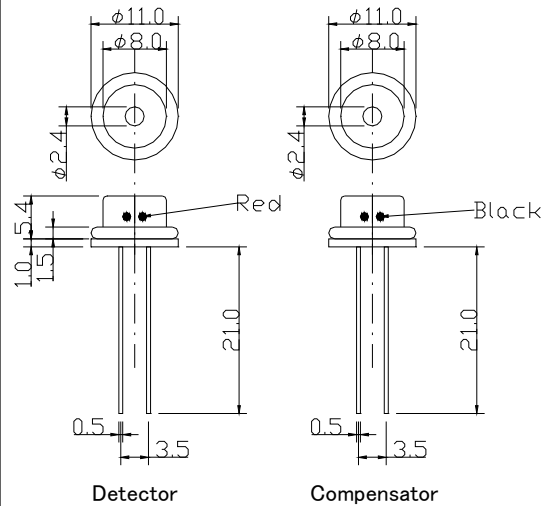
** : R.S. (relative sensitivity) is described in case that sensitivity to **ammonia** is 100.

NC-180-H

NC-180-H gas sensor is a matched pair type hydrogen gas sensor for industrial application, and it has been already available also in many customers for fixed applications. Since this type does not meet the structure of explosion proof by itself, it has to be installed in the approved body by ATEX, CSA or etc.

●Ratings, dimensions, shape

• Supply voltage	1.6V
• Current	130 – 150mV (When 1.6V is supplied.)
• Temperature	-20 - +60°C
• Humidity	Less than 95%RH (Without dew condensation)
• Measurement range	Less than 100%LEL
• Shape	As per the right figure
• Dimensions	As per the right figure Pin length is shortened to 25mm now, and O-ring is attached on both.



●Standard sensitivity and zero offset in air

10 – 20mV/10%LEL of hydrogen, -30 to +30mV in zero offset in air

●Relative sensitivity

Gases		LEL	R. S.	Gases		LEL	R. S.
1	Methane	5.00%	0	11	Acetylene	2.50	-
2	Propane	2.20	0	12	CO	12.50	110
3	n-Butane	1.80	0	13	Acetone	2.60	40
4	n-Pentane	1.40	5	14	MEK	1.90	40
5	n-Hexane	1.20	10	15	Toluene	1.20	55
6	n-Heptane	1.05	25	16	Ethyl acetate	2.20	10
7	n-Octane	0.95	15	17	Hydrogen	4.00	100
8	Methanol	6.70	95	18	Ammonia	15.00	115
9	Ethanol	3.30	35	19	Gasoline Pb free	1.20	15
10	IPA	2.20	40	20	Ethylene	2.70	65

* : 「-」 means that it is not a detected gas.

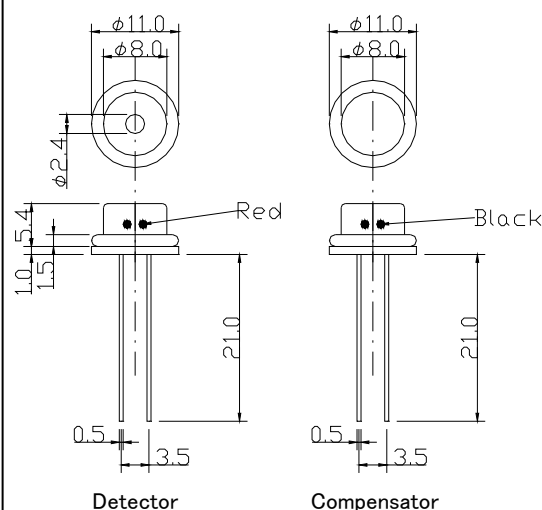
** : R.S. (relative sensitivity) is described in case that sensitivity to **hydrogen** is 100.

NC-180-A

NC-180-A gas sensor is a matched pair type acetylene gas sensor for industrial use, and it has been already available also in many customers for fixed applications. Since this type does not meet the structure of explosion proof by itself, it has to be installed in the approved body by ATEX, CSA or etc.

●Ratings, dimensions, shape

• Supply voltage	2.0V
• Current	140 – 170mV (When 2.0V is supplied.)
• Temperature	-20 - +60°C
• Humidity	Less than 95%RH (Without dew condensation)
• Measurement range	Less than 100%LEL
• Shape	As per the right figure
• Dimensions	As per the right figure Pin length is shortened to 25mm now, and O-ring is attached on both.



●Standard sensitivity and zero offset

8 – 20mV/10%LEL of acetylene, -30 to +30mV in zero offset in air

●Relative sensitivity

Gases		LEL	R. S.	Gases		LEL	R. S.
1	Methane	5.00%	0	11	Acetylene	2.50	100
2	Propane	2.20	25	12	CO	12.50	110
3	n-Butane	1.80	35	13	Acetone	2.60	85
4	n-Pentane	1.40	55	14	MEK	1.90	75
5	n-Hexane	1.20	65	15	Toluene	1.20	70
6	n-Heptane	1.05	60	16	Ethyl acetate	2.20	70
7	n-Octane	0.95	55	17	Hydrogen	4.00	130
8	Methanol	6.70	130	18	Ammonia	15.00	165
9	Ethanol	3.30	90	19	Gasoline Pb free	1.20	65
10	IPA	2.20	80	20	Ethylene	2.70	95

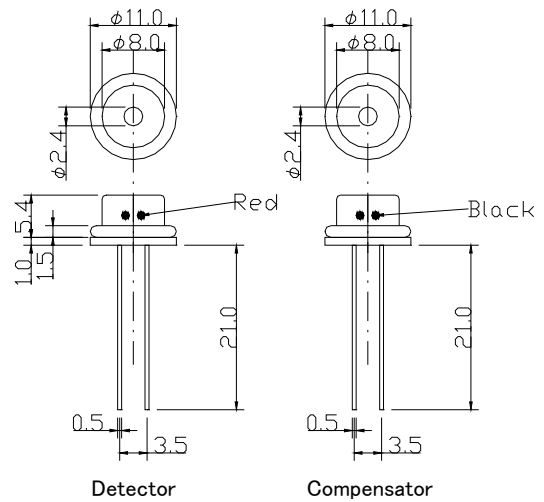
* : R.S. (relative sensitivity) is described in case that sensitivity to **acetylene** is 100.

NC-180-N

NC-180-N gas sensor is a matched pair type ammonia gas sensor for industrial use, and it has been already available also in many customers for fixed applications. Since this type does not meet the structure of explosion proof by itself, it has to be installed in the approved body by ATEX, CSA or etc.

●Ratings, dimensions, shape

• Supply voltage	2.2V
• Current	160 – 190mV (When 2.2V is supplied.)
• Temperature	-20 - +60°C
• Humidity	Less than 95%RH (Without dew condensation)
• Measurement range	Less than 100%LEL
• Shape	As per the right figure
• Dimensions	As per the right figure Pin length is shortened to 25mm now, and O-ring is attached on both.



●Standard sensitivity and zero offset in air

15 – 25mV/10%LEL of ammonia, -30 to +30mV in zero offset in air

●Relative sensitivity

Gases		LEL	R. S.	Gases		LEL	R. S.
1	Methane	5.00%	10	11	Acetylene	2.50	-
2	Propane	2.20	20	12	CO	12.50	85
3	n-Butane	1.80	40	13	Acetone	2.60	60
4	n-Pentane	1.40	55	14	MEK	1.90	45
5	n-Hexane	1.20	60	15	Toluene	1.20	40
6	n-Heptane	1.05	50	16	Ethyl acetate	2.20	60
7	n-Octane	0.95	45	17	Hydrogen	4.00	110
8	Methanol	6.70	100	18	Ammonia	15.00	100
9	Ethanol	3.30	70	19	Gasoline Pb free	1.20	50
10	IPA	2.20	60	20	Ethylene	2.70	70

* : 「-」 means that it is not a detected gas.

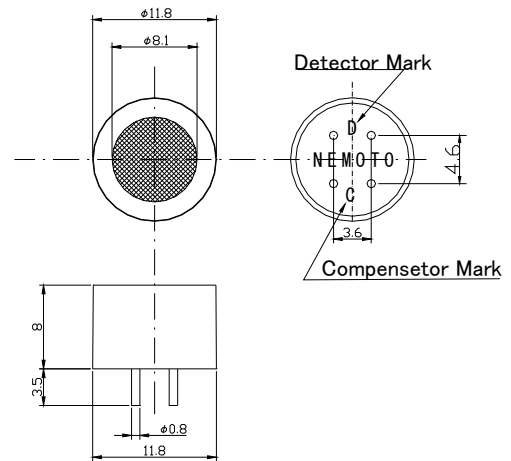
** : R.S. (relative sensitivity) is described in case that sensitivity to **ammonia** is 100.

NC-50S

NC-50S gas sensor is a single header type for industrial application, and it has been already available also in many customers for handheld, wearable or portable applications. Since this type has a simplified explosion proof structure, however it is recommended that it is installed in the approved body by ATEX, CSA or etc.

●Ratings, dimensions, shape

• Supply voltage	4.25V
• Current	45 – 55mV (When 4.25V is supplied.)
• Temperature	-20 - +60°C
• Humidity	Less than 95%RH (Without dew condensation)
• Measurement range	Less than 100%LEL
• Shape	As per the right figure
• Dimensions	As per the right figure



●Standard sensitivity and zero offset in air

60 – 110mV/10%LEL of methane

-20 to +20mV in zero offset in air (Zero offset compensated resistor is required.)

●Relative sensitivity

Gases		LEL	R. S.	Gases		LEL	R. S.
1	Methane	5.00%	100	11	Acetylene	2.50	-
2	Propane	2.20	90	12	CO	12.50	160
3	n-Butane	1.80	90	13	Acetone	2.60	110
4	n-Pentane	1.40	85	14	MEK	1.90	90
5	n-Hexane	1.20	80	15	Toluene	1.20	90
6	n-Heptane	1.05	75	16	Ethyl acetate	2.20	90
7	n-Octane	0.95	70	17	Hydrogen	4.00	150
8	Methanol	6.70	160	18	Ammonia	15.00	130
9	Ethanol	3.30	120	19	Gasoline Pb free	1.20	70
10	IPA	2.20	110	20	Ethylene	2.70	130

* : 「-」 means that it is not a detected gas.

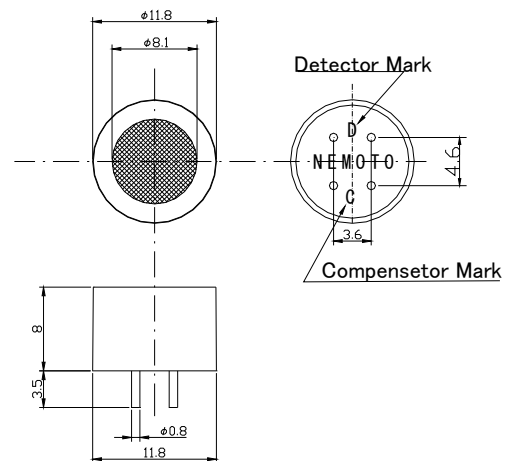
** : R.S. (relative sensitivity) is described in case that sensitivity to **methane** is 100.

NC-70S

NC-70S gas sensor is a single header type for industrial application, and it has been already available also in many customers for handheld, wearable or portable applications. Since this type has a simplified explosion proof structure, however it is recommended that it is installed in the approved body by ATEX, CSA or etc.

●Ratings, dimensions, shape

• Supply voltage	3.0V
• Current	70 – 80mV (When 3.0V is supplied.)
• Temperature	-20 - +60°C
• Humidity	Less than 95%RH (Without dew condensation)
• Measurement range	Less than 100%LEL
• Shape	As per the right figure
• Dimensions	As per the right figure



●Standard sensitivity and zero offset in air

50 – 80mV/10%LEL of methane

-20 to +20mV in zero offset in air (Zero offset compensated resistor is required.)

●Relative sensitivity

Gases		LEL	R. S.	Gases		LEL	R. S.
1	Methane	5.00%	100	11	Acetylene	2.50	-
2	Propane	2.20	80	12	CO	12.50	160
3	n-Butane	1.80	75	13	Acetone	2.60	95
4	n-Pentane	1.40	70	14	MEK	1.90	70
5	n-Hexane	1.20	70	15	Toluene	1.20	80
6	n-Heptane	1.05	65	16	Ethyl acetate	2.20	80
7	n-Octane	0.95	60	17	Hydrogen	4.00	140
8	Methanol	6.70	150	18	Ammonia	15.00	150
9	Ethanol	3.30	100	19	Gasoline Pb free	1.20	75
10	IPA	2.20	90	20	Ethylene	2.70	110

* : 「-」 means that it is not a detected gas.

** : R.S. (relative sensitivity) is described in case that sensitivity to **methane** is 100.

SUNSTAR商斯达实业集团是集研发、生产、工程、销售、代理经销、技术咨询、信息服务等为一体的高科技企业，是专业高科技电子产品生产厂家，是具有10多年历史的专业电子元器件供应商，是中国最早和最大的仓储式连锁规模经营大型综合电子零部件代理分销商之一，是一家专业代理和分销世界各大品牌IC芯片和电子元器件的连锁经营综合性国际公司。在香港、北京、深圳、上海、西安、成都等全国主要电子市场设有直属分公司和产品展示展销窗口门市部专卖店及代理分销商，已在全国范围内建成强大统一的供货和代理分销网络。我们专业代理经销、开发生产电子元器件、集成电路、传感器、微波光电元器件、工控机/DOC/DOM电子盘、专用电路、单片机开发、MCU/DSP/ARM/FPGA软件硬件、二极管、三极管、模块等，是您可靠的一站式现货配套供应商、方案提供商、部件功能模块开发配套商。专业以现代信息产业（计算机、通讯及传感器）三大支柱之一的传感器为主营业务，专业经营各类传感器的代理、销售生产、网络信息、科技图书资料及配套产品设计、工程开发。我们的专业网站——**中国传感器科技信息网（全球传感器数据库）www.SENSOR-IC.COM** 服务于全球高科技生产商及贸易商，为企业科技产品开发提供技术交流平台。欢迎各厂商互通有无、交换信息、交换链接、发布寻求代理信息。欢迎国外高科技传感器、变送器、执行器、自动控制产品厂商介绍产品到**中国**，共同开拓市场。本网站是关于各种传感器-变送器-仪器仪表及工业自动化大型专业网站，深入到工业控制、系统工程计 测量、自动化、安防报警、消费电子等众多领域，把最新的传感器-变送器-仪器仪表买卖信息，最新技术供求，最新采购商，行业动态，发展方向，最新的技术应用和市场资讯及时的传递给广大科技开发、科学研究、产品设计人员。本网站已成功为石油、化工、电力、医药、生物、航空、航天、国防、能源、冶金、电子、工业、农业、交通、汽车、矿山、煤炭、纺织、信息、通信、IT、安防、环保、印刷、科研、气象、仪器仪表等领域从事科学研究、产品设计、开发、生产制造的科技人员、管理人员、和采购人员提供满意服务。**我公司专业生产、代理、经销、销售各种传感器、变送器、敏感元器件、开关、执行器、仪器仪表、自动化控制系统：**专门从事设计、生产、销售各种传感器、变送器、各种测控仪表、热工仪表、现场控制器、计算机控制系统、数据采集系统、各类环境监控系统、专用控制系统应用软件以及嵌入式系统开发及应用等工作。如热敏电阻、压敏电阻、温度传感器、温度变送器、湿度传感器、湿度变送器、气体传感器、气体变送器、压力传感器、压力变送、称重传感器、物（液）位传感器、物（液）位变送器、流量传感器、流量变送器、电流（压）传感器、溶氧传感器、霍尔传感器、图像传感器、超声波传感器、位移传感器、速度传感器、加速度传感器、扭距传感器、红外传感器、紫外传感器、火焰传感器、激光传感器、振动传感器、轴角传感器、光电传感器、接近传感器、干簧管传感器、继电器传感器、微型电泵、磁敏（阻）传感器、压力开关、接近开关、光电开关、色标传感器、光纤传感器、齿轮测速传感器、时间继电器、计数器、计米器、温控仪、固态继电器、调压模块、电磁铁、电压表、电流表等特殊传感器。同时承接传感器应用电路、产品设计和自动化工程项目。

欢迎索取免费详细资料、设计指南和光盘；产品凡多，未能尽录，欢迎来电查询。

更多产品请看本公司产品专用销售网站：

商斯达中国传感器科技信息网：<http://www.sensor-ic.com/>

商斯达工控安防网：<http://www.pc-ps.net/>

商斯达电子元器件网：<http://www.sunstare.com/>

商斯达微波光电产品网：[HTTP://www.rfoe.net/](http://www.rfoe.net/)

商斯达消费电子产品网：<http://www.icasic.com/>

商斯达军工产品网：<http://www.junpinic.com/>

商斯达实业科技产品网：<http://www.sunstars.cn/>传感器销售热线：

地址：深圳市福田区福华路福庆街鸿图大厦1602室

电话：0755-83607652 83376489 83376549 83370250 83370251 82500323

传真：0755-83376182 (0) 13902971329 MSN: SUNS888@hotmail.com

邮编：518033 E-mail: szss20@163.com QQ: 195847376

深圳赛格展销部：深圳华强北路赛格电子市场2583号 电话：0755-83665529

技术支持：0755-83394033 13501568376

