

双端子型LC复合EMI滤波器LZA05系列是采用将电介质和磁介质复合一体化烧结而成的材料生产的高性能EMI滤波器。本滤波器利用LC共振，频率适用范围宽，是带阻型EMI滤波器，备有可选择阻带的产品系列。即使对于接地不稳定的设备、电路，也能发挥稳定的降噪效果。最适合于数字影像设备、移动设备等高速信号线路的高频降噪。

2 terminals chip type LC EMI filters LZA05 series are small-sized, band stop filters with a wide selection of rejected frequency band, and shows effective noise reduction for equipment and circuits with unstable ground. They are suitable for high frequency noise reduction on high-speed signal lines of digital video equipments and mobile devices.

特点

- 采用电介质和磁介质一体化的单片式结构。
- 可选择噪声阻带的带阻型。
- 信号波形的失真和延迟少。
- 完全无铅产品。

Features

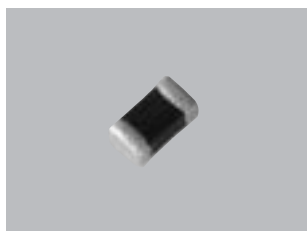
- Monolithic construction of dielectric and magnetic materials.
- Band stop filter with a choice of rejected frequency band.
- Little delay and distortion from original signal wave.
- Pb free products.

用途

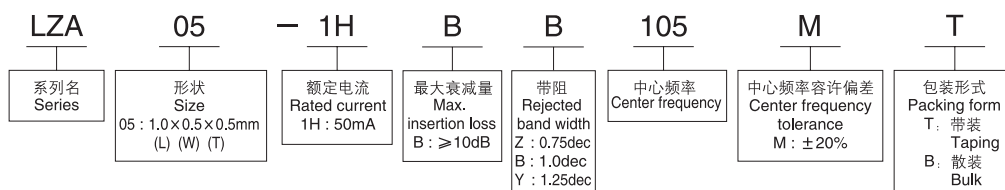
- 电视机、录像机、DVD等数字影像设备
- 移动电话、传真机、调制解调器、ADSL终端等信息通信设备
- 复印机、个人电脑、游戏机等数字设备
- 其它各种电子设备的降噪方案

Applications

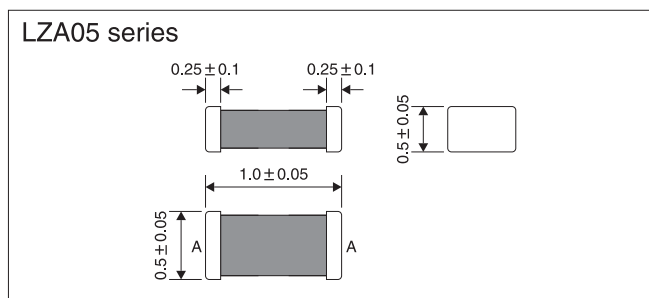
- For digital AV equipment such as TV,VCR and DVD.
- For telecommunication equipment such as cellular phone, FAX , modem and ADSL.
- For computer equipment such as personal computers and copier.
- For noise countermeasure of other digital circuit equipment.



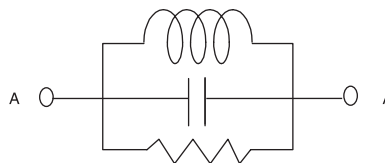
型号构成 Part number system



形状·尺寸(mm) Dimensions (mm)



等效电路 Equivalent circuits

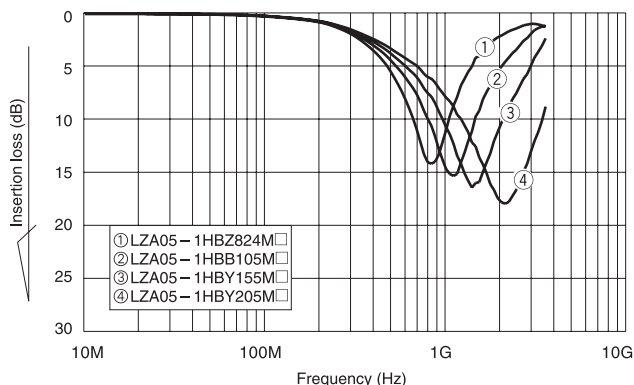


型号一览表 Part number list

型号 Part number	中心频率 Center frequency	中心频率容许偏差 Center frequency tolerance	阻带 Rejected band width	最大衰减量 Max. insertion loss	额定电流 Rated current	使用温度范围 Operating Temp. range
LZA05-1HBZ824M□	820MHz	±20%	0.75dec	≥10dB	50mA	-25°C ~ +85°C
LZA05-1HBB105M□	1000MHz		1.0dec	≥10dB		
LZA05-1HBY155M□	1500MHz		1.25dec	≥10dB		
LZA05-1HBY205M□	2000MHz		1.25dec	≥10dB		

□: T表示带装, B表示散装
 □: "T" stands for taping package and "B" stands for bulk package.

插入损失特性(参考) Insertion loss (Reference)



LC复合EMI滤波器LZA10系列(双端子型)

CHIP TYPE LC EMI FILTER LZA10 SERIES(2 Terminals)

双端子型LC复合EMI滤波器LZA10系列是采用将电介质和磁介质复合并一体化烧结而成的材料生产的高性能EMI滤波器。本滤波器利用LC共振，频率适用范围宽，是带阻型EMI滤波器，备有可选择阻带的产品系列。即使对于接地不稳定的设备、电路，也能发挥稳定的降噪效果。最适合于数字影像设备、移动设备、高速信号线路的高频降噪。

特点

- 采用电介质和磁介质一体化的单片式结构。
- 可选择噪声阻带的带阻型。
- 信号波形的失真和延迟少。

用途

- 电视机、录像机、DVD等数字影像设备
- 移动电话、传真机、调制解调器、ADSL终端等信息通信设备
- 复印机、个人电脑、游戏机等数字设备
- 其它各种电子设备的降噪方案

Our "LZA10" series 2 terminals chip type LC EMI filter is an extremely efficient EMI filter made of a combination of both dielectric and magnetic materials. Using LC resonance, this part works as a band stop filter with a wide selection of rejected frequency band, and shows effective noise reduction for equipment and circuits with unstable ground. Suitable for high frequency noise reduction on high-speed signal lines of digital video equipment and mobile devices.

Features

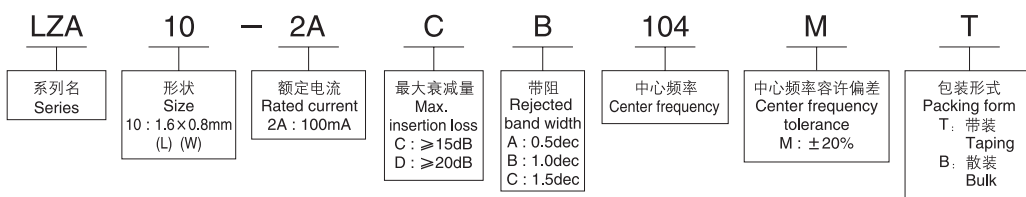
- Monolithic construction of dielectric and magnetic materials.
- Band stop filter with a choice of rejected frequency band.
- Little delay and distortion from original signal wave.

Applications

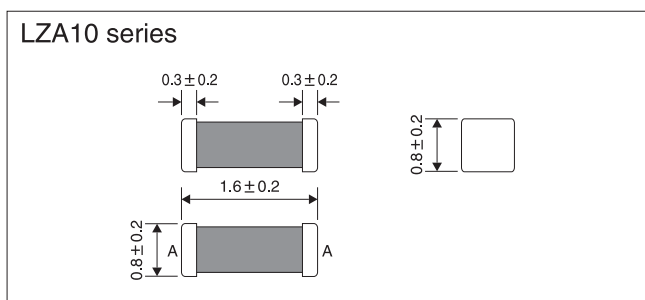
- For digital AV equipment such as TV, VCR and DVD.
- For telecommunication equipment such as cellular phone, FAX, modem and ADSL.
- For computer equipment such as personal computers and copier.
- For noise countermeasure of other digital circuit equipment.



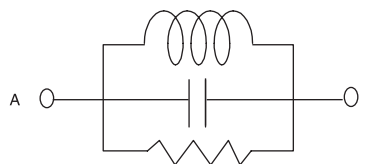
型号构成 Part number system



形状·尺寸(mm) Dimensions (mm)



等效电路 Equivalent circuits

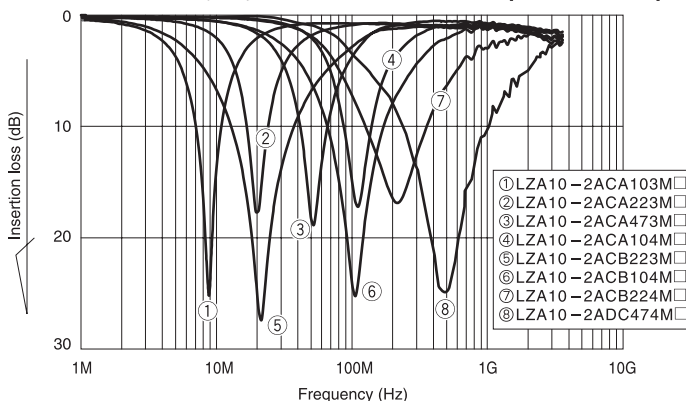


型号一览表 Part number list

型号 Part number	中心频率 Center frequency	中心频率容许偏差 Center frequency tolerance	带阻 Rejected band width	最大衰减量 Max. insertion loss	额定电流 Rated current	使用温度范围 Operating Temp. range
LZA10-2ACA103M□	10MHz	±20%	0.5dec	≥15dB	100mA	-25°C~+85°C
LZA10-2ACA223M□	22MHz					
LZA10-2ACA473M□	47MHz					
LZA10-2ACA104M□	100MHz					
LZA10-2ACB223M□	22MHz		1.0 dec			
LZA10-2ACB104M□	100MHz					
LZA10-2ACB224M□	220MHz		1.5 dec			
LZA10-2ADC474M□	470MHz			≥20dB		

□: T表示带装、B表示散装 □: "T" stands for taping package and "B" stands for bulk package.

插入损失特性(参考) Insertion loss (Reference)

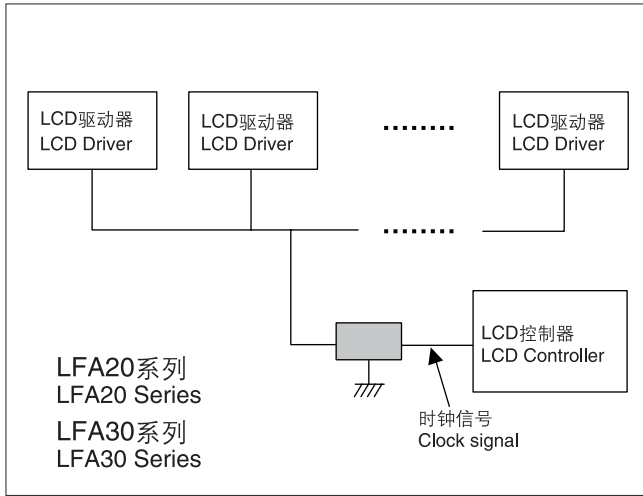


应用例

NOISE APPLICATIONS

■ 时钟线的降噪方案

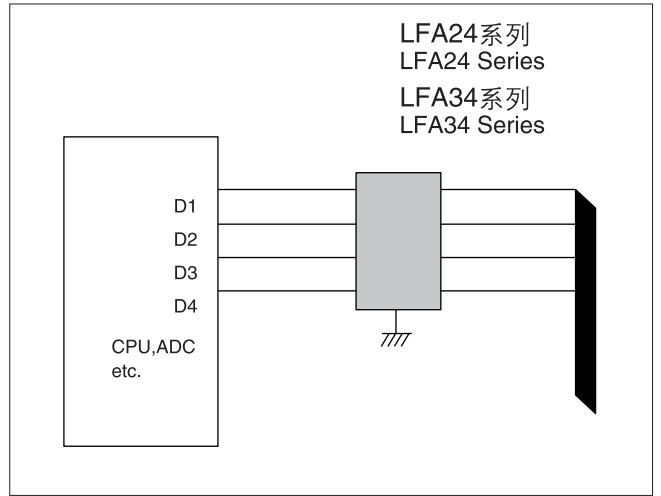
Clock line



液晶面板、各种数字设备
LCD panel, Digital Equipment

■ 数据线的降噪方案

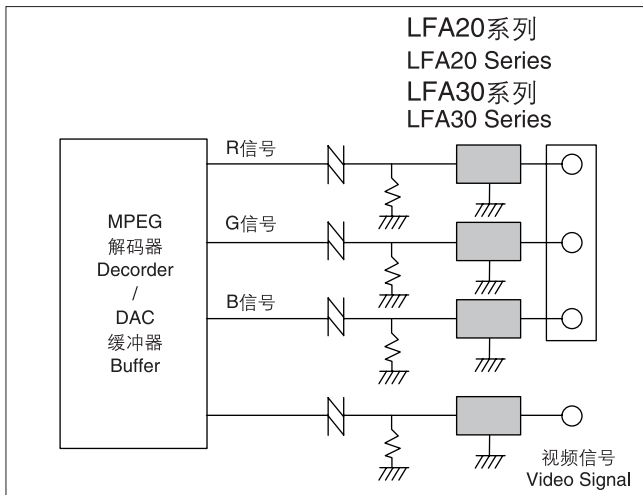
Data line



复印机、液晶面板、各种数字设备
Copier, LCDpanel, Digital Equipment

■ 视频线路的降噪方案

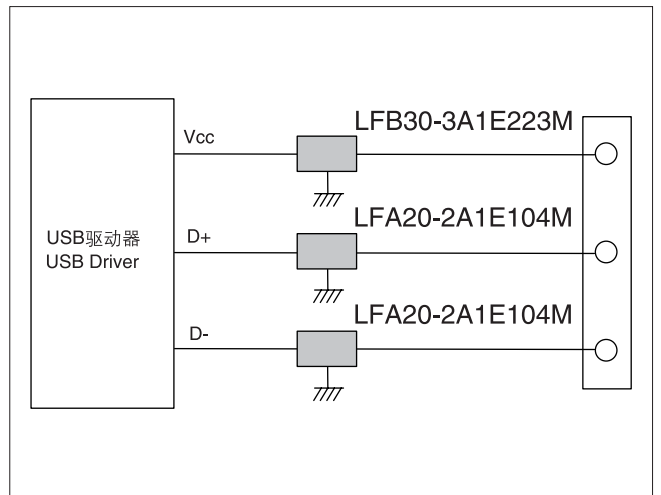
Video signal line



PC、数字电视、游戏机、车载导航设备
PC, Digital-TV, Game machine, Car-Navigation

■ USB1.1的降噪方案

USB1.1

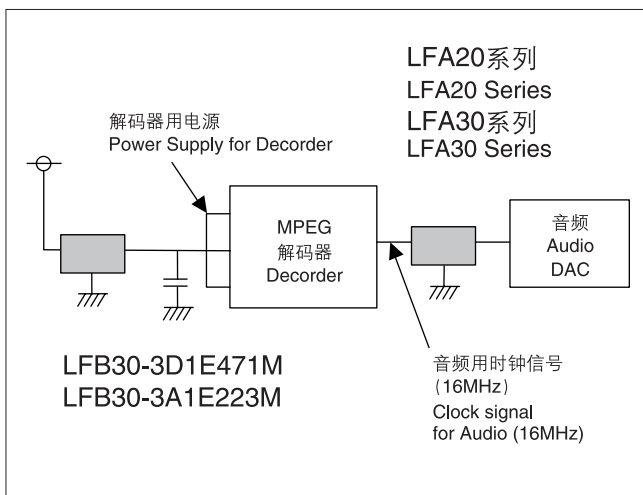


PC、PC外围设备
PC, PC Peripheral Equipment

EMI
滤波器

■ 电源线路的降噪方案

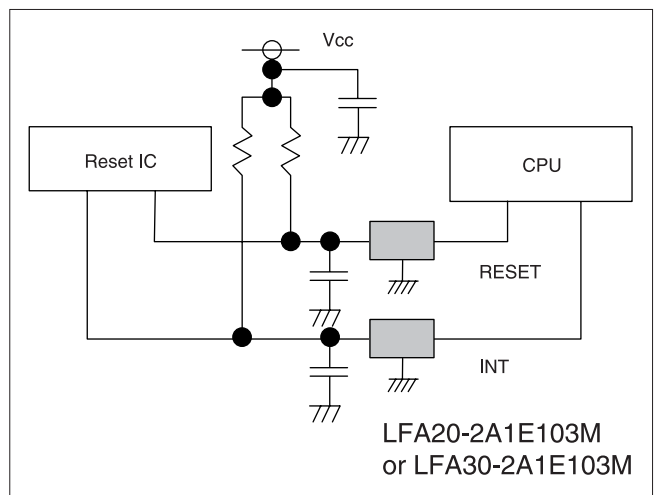
Power line



IC电源线
Vcc line for IC.

■ EMS对策

EMS protect



游戏机、各种使用微电脑的设备
Game machine, IC.