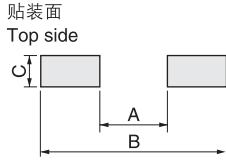


EMI滤波器 LFA、LFB、LFH、LZA系列 EMI FILTERS LFA, LFB, LFH, LZA SERIES

推荐焊盘布局 Recommended land pattern.  
印刷电路板设计 Board design

1.LZA05, LZA10

回流焊接 Reflow soldering

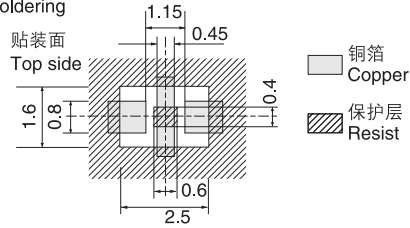


单位:mm  
Unit:mm

型号 Type	LZA05	LZA10
形状 Size	1.0×0.5	1.6×0.8
A	0.4	0.7
B	1.4	2.0
C	0.5	0.7

2.LCA10, LFA10

回流焊接 Reflow soldering



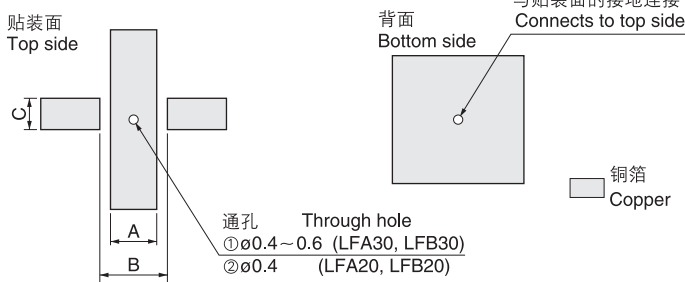
单位:mm  
Unit:mm

型号 Type	LCA10	LFA10
形状 Size	1.6×0.8	1.6×0.8
A	1.15	1.15
B	0.45	0.45
C	1.6	1.6
D	0.8	0.8
E	2.5	2.5
F	0.6	0.6
G	0.4	0.4

①建议经通孔连接到地线(LFA10)  
Connection to ground pattern via through hole recommended (LFA10)

3.LCA20, LFA20, LFB20, LFA30, LFB30

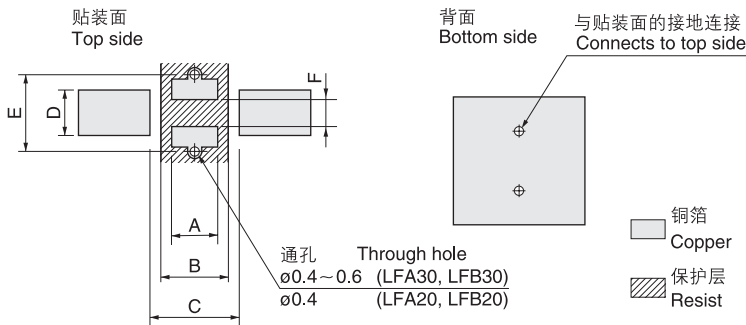
回流焊接 Reflow soldering



单位:mm  
Unit:mm

型号 Type	LCA20	LFA20 LFB20	LFA30 LFB30
形状 Size	2.0×1.25	2.0×1.25	3.2×1.6
A	0.6	0.6	1.3
B	1.5	1.5	2.3
C	1.0	1.0	1.3

流动焊接 Flow soldering

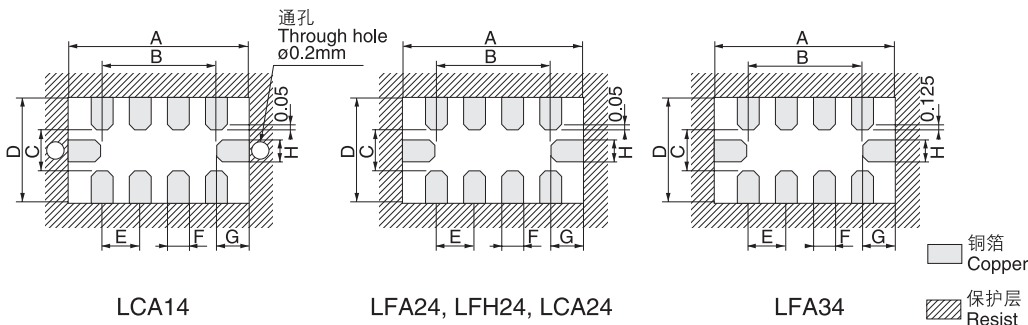


单位:mm  
Unit:mm

型号 Type	LCA20	LFA20 LFB20	LFA30 LFB30
形状 Size	2.0×1.25	2.0×1.25	3.2×1.6
A	0.6	0.6	1.3
B	0.8	0.8	1.5
C	1.5	1.5	2.3
D	1.0	1.0	1.3
E	2.2	2.2	3.0
F	0.6	0.6	0.6

4.LCA14, LFA24, LFH24, LCA24, LFA34

回流焊接 Reflow soldering



单位:mm  
Unit:mm

型号 Type	LCA14	LFA24 LCA24	LFH24	LFA34
形状 Size	1.6×0.8	2.0×1.25	2.0×1.0	3.2×1.6
A	2.2	2.6	2.6	3.8
B	1.2	1.5	1.5	2.5
C	0.5	0.75	0.63	0.9
D	1.4	1.85	1.73	2.6
E	0.4	0.5	0.5	0.8
F	0.15	0.25	0.25	0.45
G	0.5	0.55	0.55	0.65
H	0.15	0.23	0.23	0.45