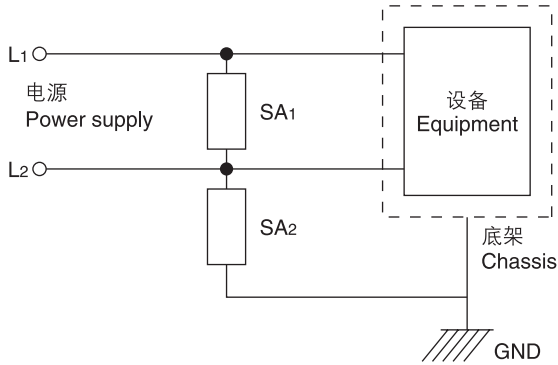
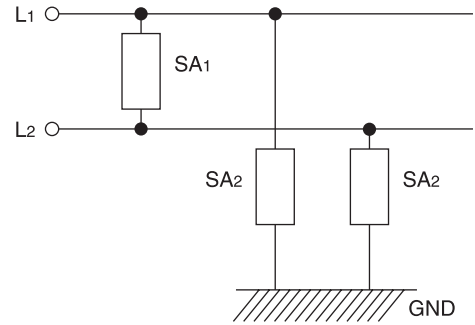


1. 需要进行AC耐电压试验的电源  
Power supply requiring AC withstanding voltage test



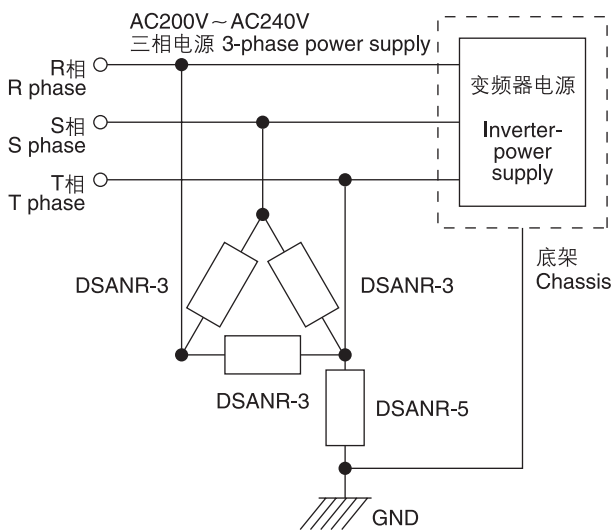
2. 高可靠性电源  
High quality supply



条件 Conditions	额定电路电压 Rated voltage	AC125V	AC250V
正常模式 (L1 - L2之间) Normal mode (Between L1 and L2)	SA1	DSANR-1 DSAZR1-301L	DSANR-3 DSAZR2-501M
共用模式 (L1, L2 - GND之间) Common mode (Between L1, L2-GND)	SA2	Test is not required	DSANR-3 DSAZR2-501M
	AC耐电压试验条件 AC withstanding voltage test condition	AC1200V	DSANR-4 DSAZR1-242M
	AC1500V	DSANR-5 DSAZR1-302M	DSANR-5 DSAZR2-302M
	AC1800V	DSANR-6 DSAZR1-362M	DSANR-6A DSAZR2-362M
AC2000V	DSANR-10B DSAZR1-452M	DSANR-10B DSAZR2-452M	

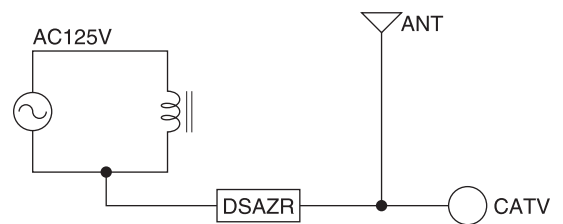
应用例: SW电源、变频器电源、OA设备及家用电器的电源  
Applications: SW power supply, inverter power supply, power supply of office and home appliance

3. 使用三相电源的设备  
Equipment using a three-phase power supply

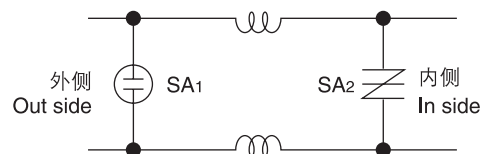


※在(R、S、T相)-GND之间进行AC 1500V绝缘耐压试验的实例例。  
※Example of a dielectric withstanding voltage test carried out at a voltage of AC 1500V applied between the RST phases and the ground.

4. 电视天线电路  
TV tuner circuit: cold chassis



5. 传感器及数据线  
Sensor and data line

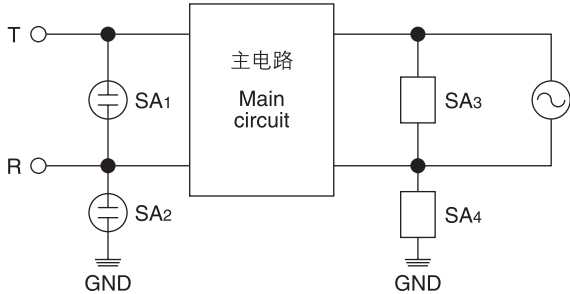


SA1: DSS-201M  
SA2: 硅型吸收器 (30V)  
Silicon type Absorber (30V)

6. 连接到电话线路的设备

**Telecommunication equipment  
(FAX, KTS, PBX)**

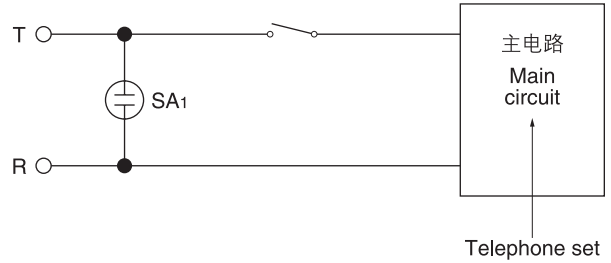
通信设备



**Telephone**

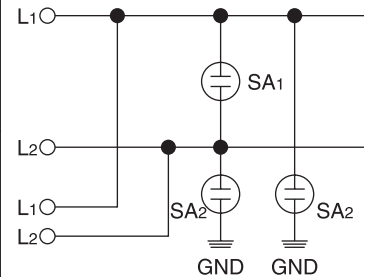
**(One piece, cordless, answering machine)**

电话机



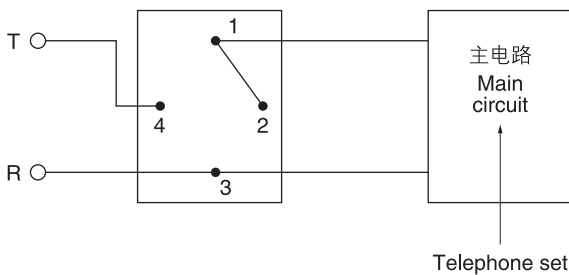
	通信线路 Telecommunication interface		电源 Power supply			
			AC125V	AC250V		
正常模式 Normal mode	T~R间 Between T and R. SA1	日本、美国、欧洲、 东南亚 Japan, USA, EU and South East Asia	DSS-301L CSA70-301L	SA3	DSANR-1 DSAZR1-301L	DSANR-3 DSAZR2-501M
		加拿大 Canada	DSS-401M CSA70-401L			
共用模式 Common mode	T,R~GND间 Between T, R and GND. SA2	不需要AC耐电压试验 AC withstanding test is not required	与SA1相同 Same as SA1	SA4	DSANR-4 DSAZR1-242M	DSANR-5 DSANR-6A DSAZR2-302M DSAZR2-362M
		需要AC耐电压试验 AC withstanding test is required	AC1200V→ DSA-242MA AC1500V→ DSA-302MA			

**调制解调器  
Modem**



应用例：传真机、按键式电话系统、PBX、调制解调器、录音电话、无绳电话、电话机等。  
Applications: key telephone system, PBX, modem, answering phone, cordless telephone, normal telephone etc.

7. 过电压试验电路(DSSV-YD)  
**Overvoltage test circuit (DSSV-YD)**



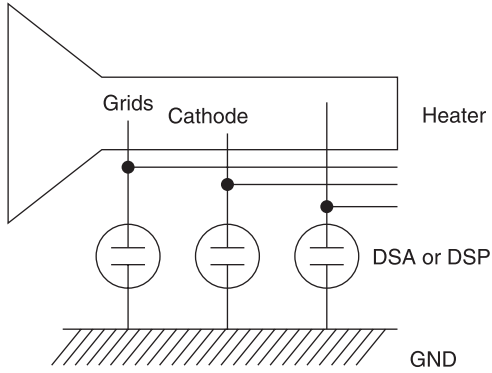
在DSSV-YD型中，当T~R间外加过电压时，与通信线路串联的金属导线开路，使通信线路断开。

When the applied overvoltage is between tip and ring, the communication line is cut off by the wire opening.

8. CRT (Cathode Ray Tube)

(DSA and DSP series protect display driver IC and transistors from damage due to ingress of static surge.)

防止因CRT管异常放电产生的静电损坏驱动IC或晶体管。



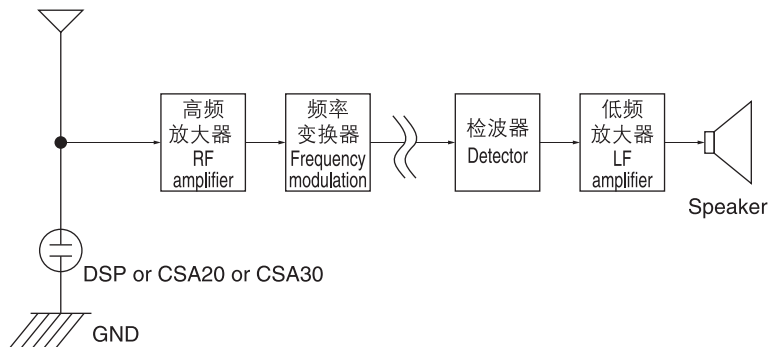
显示屏尺寸 Screen size	15英寸以下 15" under	15英寸以上 15" up
阴极~GND间 Between cathode and GND	DSP-201M DSP-301N	DSA-301LA DSA-501MA
灯丝 Heater	DSP-201M DSP-301N	DSA-301LA DSA-501MA
栅极~GND间 Between grids and GND	DSP-501N DSP-751N DSP-102M DSP-152M DSP-272M DSP-302M	DSA-102MA DSA-242MA DSA-152MA DSP-102M DSP-152M DSP-272M DSP-302M

注：用于本电路时，请检查有无延期保持现象。  
Note : For this application, please check for hold over.

9. 汽车收音机、收录机、无线电设备  
Car radio, radio cassette, wireless

插入天线输入部，防止从天线侵入的静电浪涌损坏前端集成电路或场效应管等。

Inserted in the antenna input terminal, the surge absorber will protect the semiconductor (front-end IC or FET, etc.) against failure due to static surge entering from the antenna.



10. 各种天线放大器 (卫星广播用、一般电视设备用)  
Boosters (for satellite broadcasting and general TV equipment)

用于防止从天线附近侵入的微小浪涌能量或者人体接触静电对半导体造成损坏。尤其是随着最近高灵敏度场效应管使用的增加，采取防浪涌措施已很有必要。

In this application, the surge absorber protects the semiconductor against small surge energies from the vicinity of the antenna or against static electricity due to human contact. The recent use of high-sensitivity FET has led to a stronger requirement for surge protection.

