



Sockets



RoHS Compliant
ISO 9001 Certified

INTEX						
Intex Model Number	Andon Part Number Replace "XXX" with Terminal Type	Terminal Type		Pin Ø [in]	Figure Number	Page Number
		Thru-Hole	Surface Mount			
INTX 08-0300	R098-0402-02T-XXX-R27-L14	274K	281K	.018	14-2	1
INTX 17-0900	R197-0403-01T-XXX-R27-L14	01S	93S	.018	50-2	1
INTX 22-1000	R197-0403-01T-XXX-R27-L14	01S	93S	.018	50-2	1

Top View Shown
Units: in [mm]

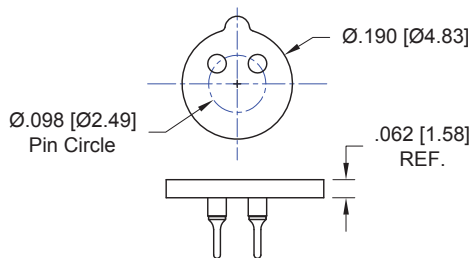


Fig. 14-2

Thru-Hole: R098-0402-02T-274K-R27-L14
Surface Mount: R098-0402-02T-281K-R27-L14

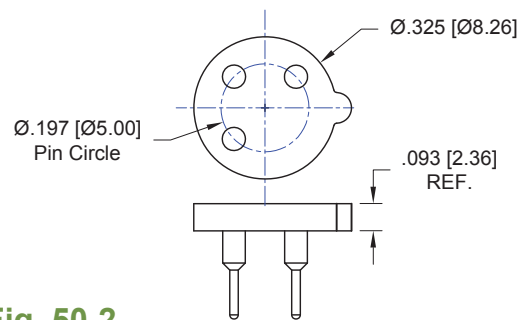
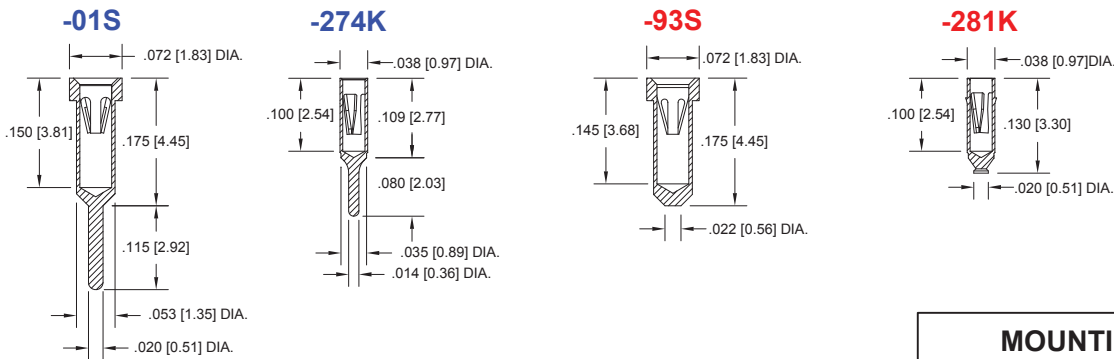


Fig. 50-2

Thru-Hole: R197-0403-01T-01S-R27-L14
Surface Mount: R197-0403-01T-93S-R27-L14

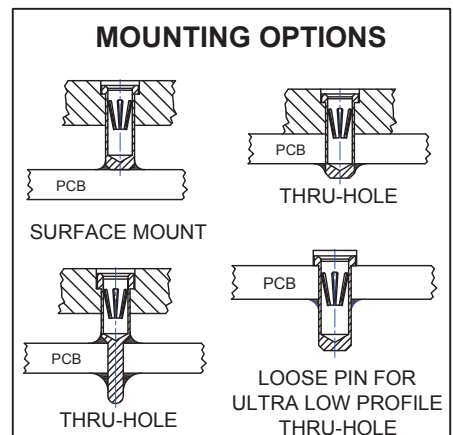
Socket Terminal Details
Cross Section View Shown Units: in [mm]



Material:

Insulator: Hi-Temp UL 94V-0
Terminal: Brass, per ASTM-B16
Contact: BeCu, Per ASTM-B194

Plating: RoHS COMPLIANT
R27 TERMINAL: GOLD / CONTACT: GOLD
R17 TERMINAL: TIN / CONTACT: GOLD
OTHER PLATINGS AVAILABLE



Terminal Acceptance and Forces							
Thru Hole Terminals				Surface Mount Terminals			
Thru Hole Terminal	Accepts Pin Diameter	Insertion Force	Withdrawal Force	Surface Mount Terminal	Accepts Pin Diameter	Insertion Force	Withdrawal Force
-274K	Ø.018 [Ø1.46]	1.0 oz Max	0.5 oz Min	-281K	Ø.018 [Ø0.46]	1.0 oz Max	0.5 oz Min
-01S	Ø.018 [Ø0.46]	9.0 oz Avg.	2.0 oz Min	-93S	Ø.018 [Ø0.46]	9.0 oz Avg.	2.0 oz Min