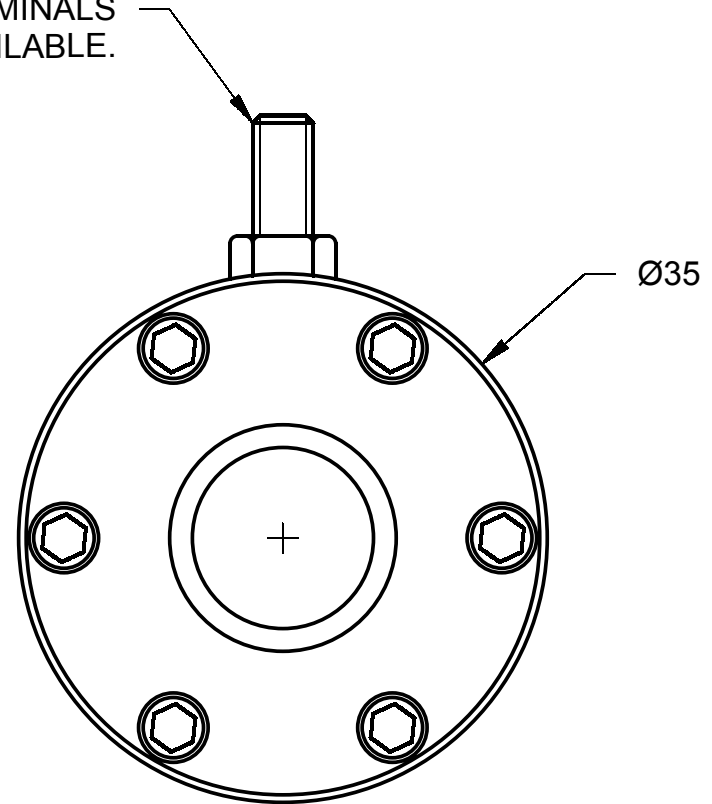


M4 STUD TERMINALS SHOWN.  
ALTERNATIVE PIN TERMINALS  
ALSO AVAILABLE.



LEYSOP

EM510M INTERFACE DRAWING

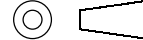
Scale  
2:1

Drawn

Approved

Issue  
1

Date  
08/08/01



Drawing No.  
189 Part 7

Dimm.  
mm

Tolerances Unless  
Otherwise Stated ±0.1